

NSPT New Standard Power Transmission

**T_{aper}
B_{ore}** Sprockets

NSPT has complete series of TB (taper bored) sprockets - first choice of mechanical transmission products.



NSPT complete series of TB sprockets including BTL, QTL and STL Sprockets.

NSPT TB sprockets are made of high quality C1045 steel with hardened teeth, good hardness and wear-resisting ability. All these can increase sprockets' utility efficiency.





New Standard Power Transmission

**T_{aper}
B_{ore}** *Sprockets*



BTL-Taper bore sprockets
ANS1 B29.1-86

With advanced design, NSPT products are the best choice for high quality power transmission products.



BTL-Taper bore sprockets
3/8"-2 1/2" pitch Taper bore sprockets



QTL-Taper Bore sprockets
ANS1 B29.1-86
3/8"-2 1/2" pitch Taper bore sprockets

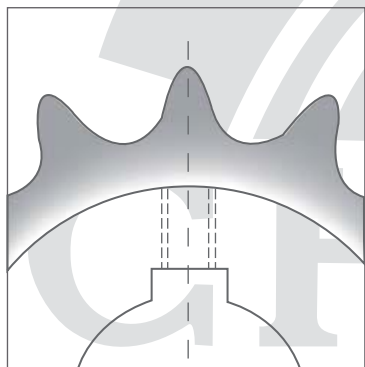


STL-Taper Bore sprockets
ANS1 B29.1-86
3/8"-2 1/2" pitch Taper bore sprockets



New Standard Power Transmission

**T_{aper}
B_{ore}** *Sprockets*

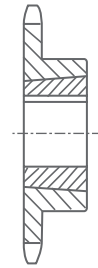
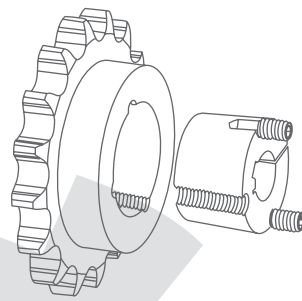


Teeth: inductioned hardness HRC40-50 Finished bore tolerance HT. Roughness value RA1.6. Keyway to USAS B 17.1 1967

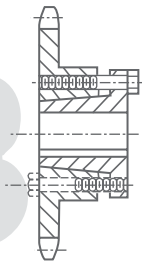
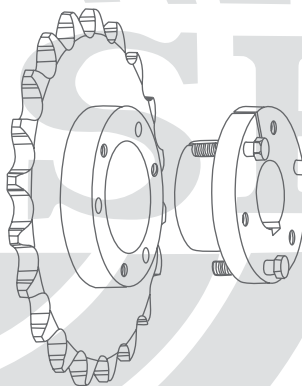


With standardized design and well-equipped CNC Machining system, the NSPT Finished bore Sprockets have high precision and good interchangeability

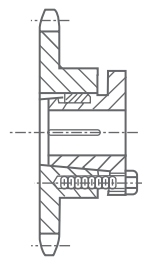
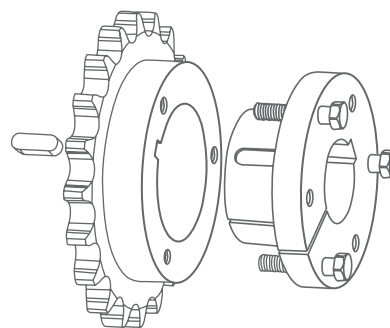
BTL *Taper Bore sprockets*



QTL *Taper Bore sprockets*



STL *Taper Bore sprockets*





New Standard Power Transmission

**T_{aper}
B_{ore}** Sprockets

BTL

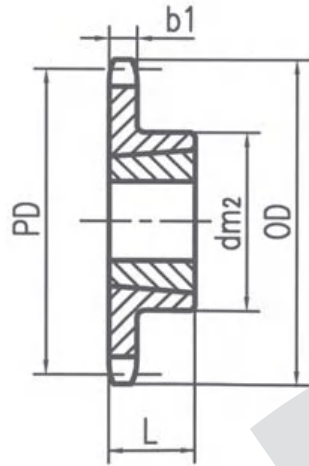
NSPT offers complete series of "BTL" TB Sprockets and matching "BTL" bushes, (Pitch from 3/8"-2"; In-stock bushes from 1008-5050)



BTL TB sprockets have adopted commercial packaging, which can be labeled under the customers' names.



Complete series of BTL (1008-5050) bushes are all stocked items that can be supplied on-hand.

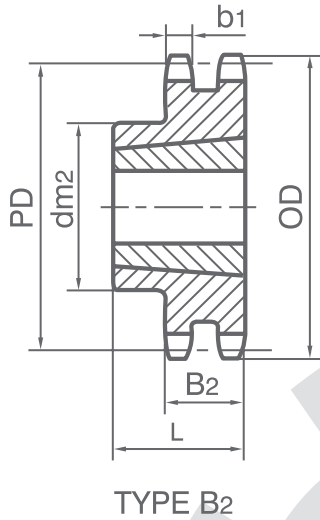


TYPE B₁



35-1 FOR 3/8" PITCH ANSI CHAIN

| TEETH NO. | CATALOG NO. | BUSHING NO. | DIAMETERS | | | DIAMETERS | | TYPE | WEIGHT (APP.) | |
|-----------|-------------|-------------|-----------|--------|-----------|-----------|--------|----------------|---------------|-----------|
| | | | OD | PD | MAX. BORE | L | dm2 | | RIM ONLY | BUSH ONLY |
| 18 | TB35B1-18H | 1008 | 2.352 | 2.159 | 1 | 7/8 | 17/8 | B ₁ | 0.40 | 0.30 |
| 19 | TB35B1-19H | 1008 | 2.472 | 2.278 | 1 | 7/8 | 113/16 | B ₁ | 0.50 | 0.30 |
| 20 | TB35B1-20H | 1008 | 2.593 | 2.397 | 1 | 7/8 | 115/16 | B ₁ | 0.60 | 0.30 |
| 21 | TB35B1-21H | 1008 | 2.713 | 2.516 | 1 | 7/8 | 21/16 | B ₁ | 0.70 | 0.30 |
| 22 | TB35B1-22H | 1210 | 2.833 | 2.635 | 1 1/4 | 1 | 23/8 | B ₁ | 0.80 | 0.60 |
| 23 | TB35B1-23H | 1210 | 2.954 | 2.754 | 1 1/4 | 1 | 27/16 | B ₁ | 0.90 | 0.60 |
| 24 | TB35B1-24H | 1210 | 3.074 | 2.873 | 1 1/4 | 1 | 27/16 | B ₁ | 0.90 | 0.60 |
| 25 | TB35B1-25H | 1210 | 3.194 | 2.992 | 1 1/4 | 1 | 27/16 | B ₁ | 1.20 | 0.60 |
| 26 | TB35B1-26H | 1610 | 3.314 | 3.111 | 1 5/8 | 1 | 27/8 | B ₁ | 1.10 | 0.90 |
| 28 | TB35B1-28H | 1610 | 3.553 | 3.349 | 1 5/8 | 1 | 27/8 | B ₁ | 1.20 | 0.90 |
| 30 | TB35B1-30H | 1610 | 3.793 | 3.588 | 1 5/8 | 1 | 31/8 | B ₁ | 1.20 | 0.90 |
| 32 | TB35B1-32H | 1610 | 4.032 | 3.826 | 1 5/8 | 1 | 31/4 | B ₁ | 1.30 | 0.90 |
| 35 | TB35B1-35H | 1610 | 4.392 | 4.183 | 1 5/8 | 1 | 31/4 | B ₁ | 1.40 | 0.90 |
| 36 | TB35B1-36H | 1610 | 4.511 | 4.303 | 1 5/8 | 1 | 31/4 | B ₁ | 1.40 | 0.90 |
| 40 | TB35B1-40H | 1610 | 4.990 | 4.786 | 1 5/8 | 1 | 31/4 | B ₁ | 1.90 | 0.90 |
| 42 | TB35B1-42H | 1610 | 5.229 | 5.018 | 1 5/8 | 1 | 31/4 | B ₁ | 2.00 | 0.90 |
| 45 | TB35B1-45H | 1610 | 5.588 | 5.376 | 1 5/8 | 1 | 31/4 | B ₁ | 2.10 | 0.90 |
| 48 | TB35B1-48H | 1610 | 5.946 | 5.734 | 1 5/8 | 1 | 31/4 | B ₁ | 2.30 | 0.90 |
| 54 | TB35B1-54H | 1610 | 6.663 | 6.449 | 1 5/8 | 1 | 31/4 | B ₁ | 2.60 | 0.90 |
| 60 | TB35B1-60H | 1610 | 7.380 | 7.165 | 1 5/8 | 1 | 31/4 | B ₁ | 3.00 | 0.90 |
| 70 | TB35B1-70 | 1610 | 8.575 | 8.358 | 1 5/8 | 1 | 31/4 | B ₁ | 3.70 | 0.90 |
| 72 | TB35B1-72 | 1610 | 8.814 | 8.597 | 1 5/8 | 1 | 31/4 | B ₁ | 3.90 | 0.90 |
| 80 | TB35B1-80 | 1610 | 9.770 | 9.552 | 1 5/8 | 1 | 31/4 | B ₁ | 4.50 | 0.90 |
| 84 | TB35B1-84 | 1610 | 10.247 | 10.029 | 1 5/8 | 1 | 31/4 | B ₁ | 4.90 | 0.90 |
| 96 | TB35B1-96 | 1610 | 11.680 | 11.461 | 1 5/8 | 1 | 31/4 | B ₁ | 6.00 | 0.90 |
| 112 | TB35B1-112 | 1610 | 13.590 | 13.371 | 1 5/8 | 1 | 31/4 | B ₁ | 7.80 | 0.90 |



35-2 FOR 3/8" PITCH ANSI CHAIN

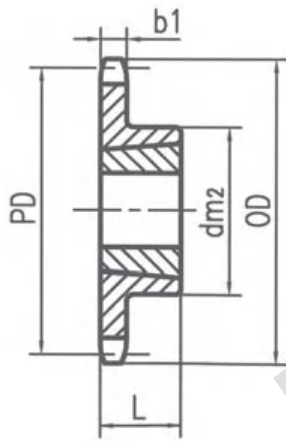
| TEETH NO. | CATALOG NO. | BUSHING NO. | DIAMETERS | | MAX. BORE | DIAMETERS | | TYPE | WEIGHT (APP.) | |
|-----------|-------------|-------------|-----------|--------|-----------|-----------|--------|------|---------------|-----------|
| | | | OD | PD | | L | dm2 | | RIM ONLY | BUSH ONLY |
| 19 | TB35B2-19H | 1008 | 2.472 | 2.278 | 1 | 7/8 | 153/64 | B2 | 0.60 | 0.30 |
| 20 | TB35B2-20H | 1008 | 2.593 | 2.397 | 1 | 7/8 | 115/16 | B2 | 0.80 | 0.30 |
| 21 | TB35B2-21H | 1008 | 2.713 | 2.516 | 1 | 7/8 | 21/16 | B2 | 1.40 | 0.30 |
| 22 | TB35B2-22H | 1008 | 2.833 | 2.635 | 1 | 7/8 | 23/16 | B2 | 1.70 | 0.30 |
| 24 | TB35B2-24H | 1210 | 3.074 | 2.873 | 1 1/4 | 1 | 27/16 | B2 | 1.80 | 0.60 |
| 26 | TB35B2-26H | 1210 | 3.314 | 3.111 | 1 1/4 | 1 | 25/8 | B2 | 2.00 | 0.60 |
| 30 | TB35B2-30H | 1610 | 3.793 | 3.588 | 1 5/8 | 1 | 31/8 | B2 | 1.80 | 0.90 |
| 32 | TB35B2-32H | 1610 | 4.032 | 3.826 | 1 5/8 | 1 | 31/4 | B2 | 2.00 | 0.90 |
| 35 | TB35B2-35H | 1610 | 4.392 | 4.183 | 1 5/8 | 1 | 31/4 | B2 | 2.30 | 0.90 |
| 40 | TB35B2-40H | 1610 | 4.990 | 4.780 | 1 5/8 | 1 | 31/4 | B2 | 2.90 | 0.90 |
| 45 | TB35B2-45H | 1610 | 5.588 | 5.376 | 1 5/8 | 1 | 31/4 | B2 | 3.20 | 0.90 |
| 48 | TB35B2-48H | 1610 | 5.946 | 5.734 | 1 5/8 | 1 | 35/8 | B2 | 3.50 | 0.90 |
| 54 | TB35B2-54H | 1610 | 6.663 | 6.449 | 1 5/8 | 1 | 35/8 | B2 | 3.90 | 0.90 |
| 60 | TB35B2-60H | 1610 | 7.380 | 7.165 | 1 5/8 | 1 | 35/8 | B2 | 4.90 | 0.90 |
| 70 | TB35B2-70 | 1610 | 8.575 | 8.358 | 1 5/8 | 1 | 35/8 | B2 | 6.30 | 0.90 |
| 80 | TB35B2-80 | 1610 | 9.770 | 9.552 | 1 5/8 | 1 | 35/8 | B2 | 7.90 | 0.90 |
| 96 | TB35B2-96 | 1610 | 11.680 | 11.461 | 1 5/8 | 1 | 35/8 | B2 | 9.90 | 0.90 |
| 112 | TB35B2-112 | 1610 | 13.590 | 13.371 | 1 5/8 | 1 | 35/8 | B2 | 10.90 | 0.90 |

Bore Range

| Bushings | Bore Range |
|----------|------------|
| 1008 | 1/2-1" |
| 1210 | 1/2-1 1/4 |
| 1610 | 1/2-1 5/8 |

Standard Keyseats

| Bore Range | Keyseat | Bore Range | Keyseat |
|-------------|-----------|------------|-----------|
| 1/2-9/16 | 1/8x1/16 | 15/16-13/8 | 5/16x5/32 |
| 5/8-7/8 | 3/16x3/32 | 17/16-13/4 | 3/8x3/16 |
| 15/16-1 1/4 | 1/4x1/8 | | |

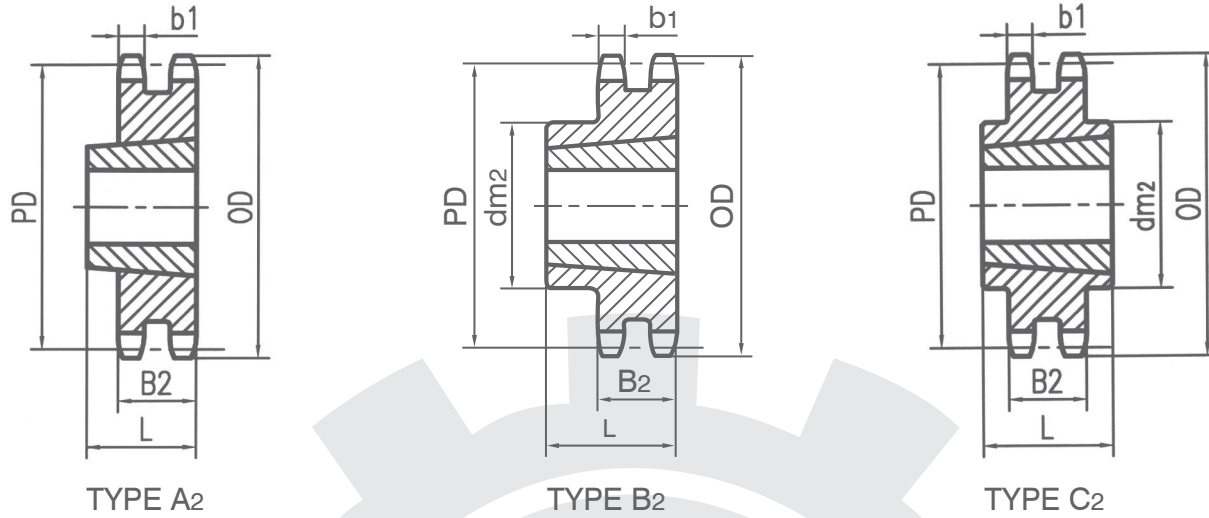


TYPE B1



40-1 FOR 1/2" PITCH ANSI CHAIN

| TEETH NO. | CATALOG NO. | BUSHING NO. | DIAMETERS | | MAX. BORE | DIAMETERS | | TYPE | WEIGHT (APP.) | |
|-----------|-------------|-------------|-----------|--------|-----------|-----------|--------|------|---------------|-----------|
| | | | OD | PD | | L | dm2 | | RIM ONLY | BUSH ONLY |
| 14 | TB40B1-14H | 1008 | 2.491 | 2.247 | 1 | 7/8 | 113/16 | B1 | 0.30 | 0.30 |
| 15 | TB40B1-15H | 1008 | 2.652 | 2.405 | 1 | 7/8 | 113/16 | B1 | 0.40 | 0.30 |
| 16 | TB40B1-16H | 1008 | 2.814 | 2.563 | 1 | 7/8 | 115/16 | B1 | 0.50 | 0.30 |
| 17 | TB40B1-17H | 1210 | 2.975 | 2.721 | 1 1/4 | 1 | 23/8 | B1 | 0.50 | 0.60 |
| 18 | TB40B1-18H | 1210 | 3.135 | 2.879 | 1 1/4 | 1 | 215/32 | B1 | 0.60 | 0.60 |
| 19 | TB40B1-19H | 1210 | 3.296 | 3.038 | 1 1/4 | 1 | 215/32 | B1 | 0.70 | 0.60 |
| 20 | TB40B1-20H | 1610 | 3.457 | 3.196 | 1 5/8 | 1 | 225/32 | B1 | 0.70 | 0.90 |
| 21 | TB40B1-21H | 1610 | 3.617 | 3.355 | 1 5/8 | 1 | 225/32 | B1 | 0.80 | 0.90 |
| 22 | TB40B1-22H | 1610 | 3.778 | 3.513 | 1 5/8 | 1 | 225/32 | B1 | 0.90 | 0.90 |
| 23 | TB40B1-23H | 1610 | 3.938 | 3.672 | 1 5/8 | 1 | 3 | B1 | 1.00 | 0.90 |
| 24 | TB40B1-24H | 1610 | 4.098 | 3.831 | 1 5/8 | 1 | 3 1/4 | B1 | 1.40 | 0.90 |
| 25 | TB40B1-25H | 1610 | 4.258 | 3.989 | 1 5/8 | 1 | 3 1/4 | B1 | 1.50 | 0.90 |
| 26 | TB40B1-26H | 1610 | 4.418 | 4.148 | 1 5/8 | 1 | 3 1/4 | B1 | 1.70 | 0.90 |
| 28 | TB40B1-28H | 1610 | 4.738 | 4.466 | 1 5/8 | 1 | 3 | B1 | 1.80 | 0.90 |
| 30 | TB40B1-30H | 1610 | 5.057 | 4.783 | 1 5/8 | 1 | 3 | B1 | 1.90 | 0.90 |
| 32 | TB40B1-32H | 1610 | 5.377 | 5.101 | 1 5/8 | 1 | 3 | B1 | 1.90 | 0.90 |
| 35 | TB40B1-35H | 1610 | 5.855 | 5.578 | 1 5/8 | 1 | 3 | B1 | 2.30 | 0.90 |
| 36 | TB40B1-36H | 1610 | 6.015 | 5.737 | 1 5/8 | 1 | 3 | B1 | 2.40 | 0.90 |
| 40 | TB40B1-40H | 1610 | 6.653 | 6.373 | 1 5/8 | 1 | 3 | B1 | 2.80 | 0.90 |
| 42 | TB40B1-42H | 1610 | 6.972 | 6.691 | 1 5/8 | 1 | 3 | B1 | 2.90 | 0.90 |
| 45 | TB40B1-45H | 1610 | 7.451 | 7.168 | 1 5/8 | 1 | 3 | B1 | 3.50 | 0.90 |
| 48 | TB40B1-48H | 1610 | 7.928 | 7.645 | 1 5/8 | 1 | 3 | B1 | 4.00 | 0.90 |
| 54 | TB40B1-54 | 1610 | 8.885 | 8.599 | 1 5/8 | 1 | 3 | B1 | 4.90 | 0.90 |
| 60 | TB40B1-60 | 1610 | 9.841 | 9.554 | 1 5/8 | 1 | 3 | B1 | 6.00 | 0.90 |
| 70 | TB40B1-70 | 2012 | 11.434 | 11.145 | 2 | 1 1/4 | 39/16 | B1 | 8.20 | 1.70 |
| 72 | TB40B1-72 | 2012 | 11.752 | 11.463 | 2 | 1 1/4 | 39/16 | B1 | 9.00 | 1.70 |
| 80 | TB40B1-80 | 2012 | 13.026 | 12.736 | 2 | 1 1/4 | 39/16 | B1 | 10.80 | 1.70 |
| 84 | TB40B1-84 | 2012 | 13.663 | 13.372 | 2 | 1 1/4 | 39/16 | B1 | 11.30 | 1.70 |
| 96 | TB40B1-96 | 2012 | 15.573 | 15.282 | 2 | 1 1/4 | 39/16 | B1 | 14.60 | 1.70 |
| 112 | TB40B1-112 | 2517 | 18.122 | 17.828 | 2 1/2 | 1 3/4 | 41/4 | B1 | 20.50 | 1.701 |



40-2 FOR 1/2" PITCH ANSI CHAIN

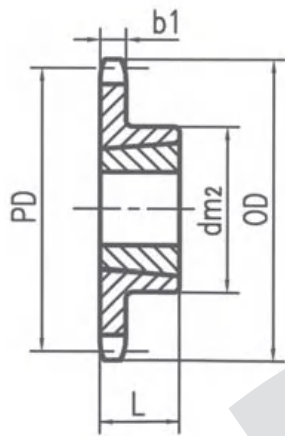
| TEETH NO. | CATALOG NO. | BUSHING NO. | DIAMETERS | | MAX. BORE | DIAMETERS | | TYPE | WEIGHT(APP.) | |
|-----------|-------------|-------------|-----------|--------|-----------|-----------|---------|------|--------------|-----------|
| | | | OD | PD | | L | dm2 | | RIM ONLY | BUSH ONLY |
| 15 | TB40B2-15H | 1008 | 2.652 | 2.405 | 1 | 7/8 | — | A2 | 0.50 | 0.30 |
| 16 | TB40B2-16H | 1008 | 2.814 | 2.563 | 1 | 7/8 | — | A2 | 0.60 | 0.30 |
| 17 | TB40B2-17H | 1008 | 2.975 | 2.721 | 1 | 7/8 | — | A2 | 0.70 | 0.30 |
| 18 | TB40B2-18H | 1210 | 3.135 | 2.879 | 1 1/4 | 1 | 25/16 | B2 | 0.70 | 0.60 |
| 19 | TB40B2-19H | 1210 | 3.296 | 3.038 | 1 1/4 | 1 | 2 1/2 | B2 | 0.90 | 0.60 |
| 20 | TB40B2-20H | 1610 | 3.457 | 3.196 | 1 5/8 | 1 | 25/8 | B2 | 0.90 | 0.90 |
| 21 | TB40B2-21H | 1610 | 3.617 | 3.355 | 1 5/8 | 1 | 2 3/4 | B2 | 1.00 | 0.90 |
| 23 | TB40B2-23H | 1610 | 3.938 | 3.672 | 1 5/8 | 1 | 3 | B2 | 1.30 | 0.90 |
| 25 | TB40B2-25H | 2012 | 4.258 | 3.989 | 2 | 1 1/4 | 3 13/32 | B2 | 1.60 | 1.70 |
| 30 | TB40B2-30H | 2012 | 5.057 | 4.783 | 2 | 1 1/4 | 4 15/64 | B2 | 3.40 | 1.70 |
| 36 | TB40B2-36H | 2012 | 6.015 | 5.737 | 2 | 1 1/4 | 5 5/32 | B2 | 5.90 | 1.70 |
| 42 | TB40C2-42H | 2517 | 6.972 | 6.691 | 2 1/2 | 1 3/4 | 4 1/4 | C2 | 7.00 | 3.50 |
| 48 | TB40C2-48H | 2517 | 7.928 | 7.645 | 2 1/2 | 1 3/4 | 4 1/4 | C2 | 9.60 | 3.50 |
| 52 | TB40C2-52 | 2517 | 8.566 | 8.281 | 2 1/2 | 1 3/4 | 4 1/4 | C2 | 11.40 | 3.50 |
| 60 | TB40C2-60 | 2517 | 9.841 | 9.554 | 2 1/2 | 1 3/4 | 4 1/4 | C2 | 15.40 | 3.50 |
| 68 | TB40C2-68 | 2517 | 11.115 | 10.826 | 2 1/2 | 1 3/4 | 4 1/4 | C2 | 20.50 | 3.50 |
| 76 | TB40C2-76 | 2517 | 12.389 | 12.099 | 2 1/2 | 1 3/4 | 4 1/4 | C2 | 25.70 | 3.50 |
| 84 | TB40C2-84 | 2517 | 13.663 | 13.372 | 2 1/2 | 1 3/4 | 4 1/4 | C2 | 31.60 | 3.50 |
| 95 | TB40C2-95 | 2517 | 15.414 | 15.122 | 2 1/2 | 1 3/4 | 4 1/4 | C2 | 34.10 | 3.50 |
| 102 | TB40C2-102 | 2517 | 16.529 | 16.236 | 2 1/2 | 1 3/4 | 4 1/4 | C2 | 36.80 | 3.50 |

Bore Range

| Bushings | Bore Range |
|-----------|------------|
| 1008 | 1/2-1" |
| 1210 1215 | 1/2-1 1/4 |
| 1610 | 1/2-1 5/8 |
| 2012 | 1/2-2" |
| 2517 | 1/2-2 1/2 |

Standard Keyseats

| Bore Range | Keyseat | Bore Range | Keyseat |
|--------------|-----------|---------------|----------|
| 1/2-9/16 | 1/8x1/16 | 17/16-1 3/4 | 3/8x3/16 |
| 5/8-7/8 | 3/16x3/32 | 1 13/16-2 1/4 | 1/2x1/4 |
| 1 5/16-1 1/4 | 1/4x1/8 | 2 5/16-2 3/4 | 5/8x5/16 |
| 1 5/16-1 3/8 | 5/16x5/32 | | |

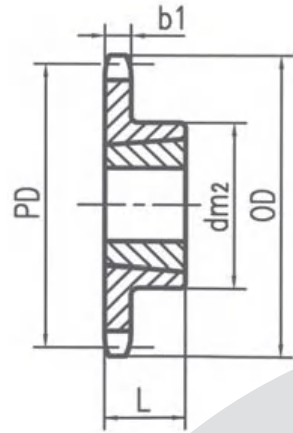


TYPE B1



41-1 FOR 1/2" PITCH ANSI CHAIN

| TEETH NO. | CATALOG NO. | BUSHING NO. | DIAMETERS | | MAX. BORE | DIAMETERS | | TYPE | WEIGHT(APP.) | |
|-----------|-------------|-------------|-----------|--------|-----------|-----------|-------|------|--------------|-----------|
| | | | OD | PD | | L | dm2 | | RIM ONLY | BUSH ONLY |
| 14 | TB41B1-14 | 1008 | 2.49 | 2.249 | 1 | 7/8 | 17/8 | B1 | 0.40 | 0.30 |
| 15 | TB41B1-15 | 1008 | 2.65 | 2.405 | 1 | 7/8 | 17/8 | B1 | 0.50 | 0.30 |
| 16 | TB41B1-16 | 1008 | 2.81 | 2.503 | 1 | 7/8 | 2 | B1 | 0.60 | 0.30 |
| 17 | TB41B1-17 | 1210 | 2.98 | 2.721 | 1 1/4 | 1 | 23/8 | B1 | 0.70 | 0.60 |
| 18 | TB41B1-18 | 1210 | 3.14 | 2.879 | 1 1/4 | 1 | 23/8 | B1 | 0.90 | 0.60 |
| 19 | TB41B1-19 | 1210 | 3.30 | 3.038 | 1 1/4 | 1 | 21/2 | B1 | 1.10 | 0.60 |
| 20 | TB41B1-20 | 1610 | 3.46 | 3.196 | 1 5/8 | 1 | 27/8 | B1 | 1.10 | 0.90 |
| 21 | TB41B1-21 | 1610 | 3.62 | 3.355 | 1 5/8 | 1 | 3 | B1 | 1.20 | 0.90 |
| 22 | TB41B1-22 | 1610 | 3.78 | 3.573 | 1 5/8 | 1 | 3 | B1 | 1.30 | 0.90 |
| 23 | TB41B1-23 | 1610 | 3.94 | 3.672 | 1 5/8 | 1 | 3 | B1 | 1.40 | 0.90 |
| 24 | TB41B1-24 | 1610 | 4.10 | 3.831 | 1 5/8 | 1 | 3 1/4 | B1 | 1.40 | 0.90 |
| 25 | TB41B1-25 | 1610 | 4.26 | 3.989 | 1 5/8 | 1 | 3 1/4 | B1 | 1.50 | 0.90 |
| 26 | TB41B1-26 | 1610 | 4.42 | 4.148 | 1 5/8 | 1 | 3 1/4 | B1 | 1.50 | 0.90 |
| 28 | TB41B1-28 | 1610 | 4.74 | 4.466 | 1 5/8 | 1 | 3 1/4 | B1 | 1.70 | 0.90 |
| 30 | TB41B1-30 | 1610 | 5.06 | 4.783 | 1 5/8 | 1 | 3 1/4 | B1 | 1.80 | 0.90 |
| 32 | TB41B1-32 | 1610 | 5.38 | 5.101 | 1 5/8 | 1 | 3 1/4 | B1 | 1.90 | 0.90 |
| 35 | TB41B1-35 | 1610 | 5.86 | 5.578 | 1 5/8 | 1 | 3 1/4 | B1 | 2.30 | 0.90 |
| 36 | TB41B1-36 | 1610 | 6.02 | 5.737 | 1 5/8 | 1 | 3 1/4 | B1 | 2.40 | 0.90 |
| 40 | TB41B1-40 | 1610 | 6.65 | 6.373 | 1 5/8 | 1 | 3 1/4 | B1 | 2.70 | 0.90 |
| 45 | TB41B1-45 | 1610 | 7.45 | 7.168 | 1 5/8 | 1 | 3 1/4 | B1 | 3.50 | 0.90 |
| 48 | TB41B1-48 | 1610 | 7.93 | 7.645 | 1 5/8 | 1 | 3 1/4 | B1 | 4.10 | 0.90 |
| 54 | TB41B1-54 | 1610 | 8.89 | 8.599 | 1 5/8 | 1 | 3 1/4 | B1 | 4.90 | 0.90 |
| 60 | TB41B1-60 | 1610 | 9.84 | 9.554 | 1 5/8 | 1 | 3 1/4 | B1 | 5.70 | 0.90 |
| 70 | TB41B1-70 | 1610 | 11.43 | 11.145 | 1 5/8 | 1 | 3 1/4 | B1 | 7.40 | 0.90 |
| 72 | TB41B1-72 | 1610 | 11.75 | 11.463 | 1 5/8 | 1 | 3 1/4 | B1 | 8.20 | 0.90 |
| 80 | TB41B1-80 | 1610 | 13.03 | 12.736 | 1 5/8 | 1 | 3 1/4 | B1 | 9.60 | 0.90 |
| 96 | TB41B1-96 | 1610 | 15.57 | 15.281 | 1 5/8 | 1 | 3 1/4 | B1 | 13.10 | 0.90 |

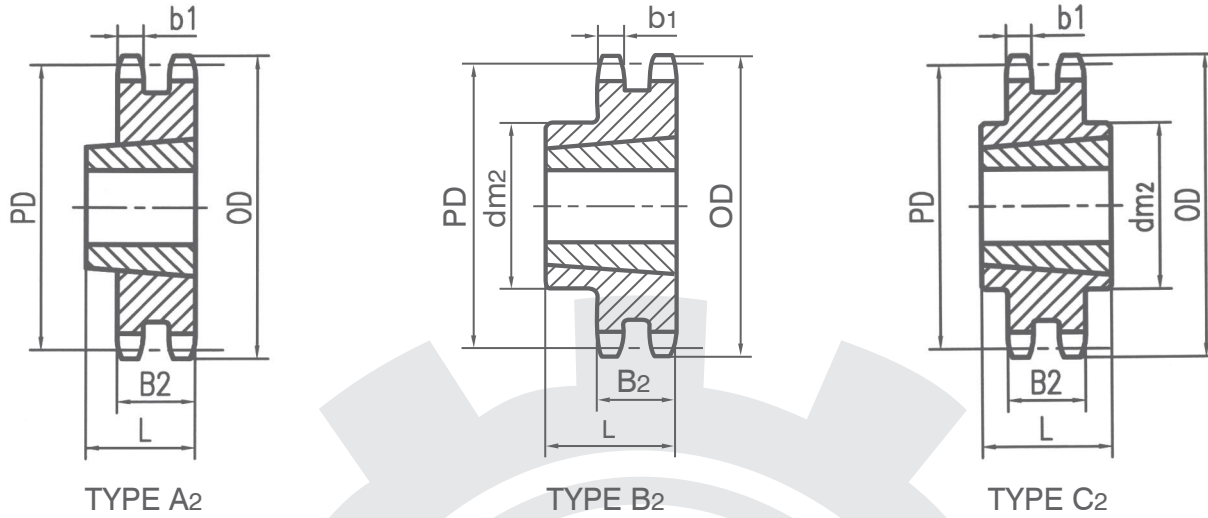


TYPE B1



50-1 FOR 1/2" PITCH ANSI CHAIN

| TEETH NO. | CATALOG NO. | BUSHING NO. | DIAMETERS | | MAX. BORE | DIAMETERS | | TYPE | WEIGHT (APP.) | |
|-----------|-------------|-------------|-----------|--------|-------------------------------|-------------------------------|---------------------------------|------|---------------|-----------|
| | | | OD | PD | | L | dm2 | | RIM ONLY | BUSH ONLY |
| 12 | TB50B1-12H | 1008 | 2.708 | 2.415 | 1 | 7/8 | 1 ¹⁵ / ₁₆ | B1 | 0.50 | 0.30 |
| 13 | TB50B1-13H | 1008 | 2.911 | 2.612 | 1 | 7/8 | 1 ¹³ / ₁₆ | B1 | 0.50 | 0.30 |
| 14 | TB50B1-14H | 1008 | 3.113 | 2.809 | 1 | 7/8 | 1 ¹⁵ / ₁₆ | B1 | 0.60 | 0.30 |
| 15 | TB50B1-15H | 1210 | 3.315 | 3.006 | 1 ¹ / ₄ | 1 | 2 ¹⁵ / ₃₂ | B1 | 0.70 | 0.60 |
| 16 | TB50B1-16H | 1610 | 3.517 | 3.204 | 1 ⁵ / ₈ | 1 | 2 ²⁵ / ₃₂ | B1 | 0.70 | 0.90 |
| 17 | TB50B1-17H | 1610 | 3.719 | 3.401 | 1 ⁵ / ₈ | 1 | 2 ²⁵ / ₃₂ | B1 | 0.80 | 0.90 |
| 18 | TB50B1-18H | 1610 | 3.920 | 3.599 | 1 ⁵ / ₈ | 1 | 2 ²⁵ / ₃₂ | B1 | 0.90 | 0.90 |
| 19 | TB50B1-19H | 1610 | 4.120 | 3.797 | 1 ⁵ / ₈ | 1 | 3 | B1 | 1.30 | 0.90 |
| 20 | TB50B1-20H | 1610 | 4.321 | 3.995 | 1 ⁵ / ₈ | 1 | 3 ¹ / ₄ | B1 | 1.60 | 0.90 |
| 21 | TB50B1-21H | 1610 | 4.522 | 4.193 | 1 ⁵ / ₈ | 1 | 3 | B1 | 1.50 | 0.90 |
| 22 | TB50B1-22H | 1610 | 4.722 | 4.392 | 1 ⁵ / ₈ | 1 | 3 | B1 | 1.60 | 0.90 |
| 23 | TB50B1-23H | 2012 | 4.922 | 4.590 | 2 | 1 ¹ / ₄ | 3 ⁹ / ₁₆ | B1 | 2.00 | 1.70 |
| 24 | TB50B1-24H | 2012 | 5.122 | 4.788 | 2 | 1 ¹ / ₄ | 3 ⁹ / ₁₆ | B1 | 2.20 | 1.70 |
| 25 | TB50B1-25H | 2012 | 5.322 | 4.987 | 2 | 1 ¹ / ₄ | 3 ⁹ / ₁₆ | B1 | 2.40 | 1.70 |
| 26 | TB50B1-26H | 2012 | 5.522 | 5.185 | 2 | 1 ¹ / ₄ | 3 ⁹ / ₁₆ | B1 | 2.50 | 1.70 |
| 27 | TB50b1-27H | 2012 | 5.723 | 5.384 | 2 | 1 ¹ / ₄ | 3 ⁹ / ₁₆ | B1 | 2.60 | 1.70 |
| 28 | TB50B1-28H | 2012 | 5.922 | 5.582 | 2 | 1 ¹ / ₄ | 3 ⁹ / ₁₆ | B1 | 2.80 | 1.70 |
| 30 | TB50B1-30H | 2012 | 6.321 | 5.979 | 2 | 1 ¹ / ₄ | 3 ⁹ / ₁₆ | B1 | 3.20 | 1.70 |
| 32 | TB50B1-32H | 2012 | 6.721 | 6.376 | 2 | 1 ¹ / ₄ | 3 ⁹ / ₁₆ | B1 | 3.60 | 1.70 |
| 35 | TB50B1-35H | 2012 | 7.319 | 6.972 | 2 | 1 ¹ / ₄ | 3 ⁹ / ₁₆ | B1 | 4.20 | 1.70 |
| 36 | TB50B1-36H | 2012 | 7.519 | 7.171 | 2 | 1 ¹ / ₄ | 3 ⁹ / ₁₆ | B1 | 4.30 | 1.70 |
| 40 | TB50B1-40H | 2012 | 8.316 | 7.966 | 2 | 1 ¹ / ₄ | 3 ⁹ / ₁₆ | B1 | 5.20 | 1.70 |
| 42 | TB50B1-42 | 2012 | 8.715 | 8.363 | 2 | 1 ¹ / ₄ | 3 ⁹ / ₁₆ | B1 | 5.90 | 1.70 |
| 45 | TB50B1-45 | 2012 | 9.313 | 8.960 | 2 | 1 ¹ / ₄ | 3 ⁹ / ₁₆ | B1 | 6.50 | 1.70 |
| 48 | TB50B1-48 | 2012 | 9.911 | 9.556 | 2 | 1 ¹ / ₄ | 3 ⁹ / ₁₆ | B1 | 7.30 | 1.70 |
| 54 | TB50B1-54 | 2012 | 11.106 | 10.749 | 2 | 1 ¹ / ₄ | 3 ⁹ / ₁₆ | B1 | 9.00 | 1.70 |
| 60 | TB50B1-60 | 2012 | 12.301 | 11.942 | 2 | 1 ¹ / ₄ | 3 ⁹ / ₁₆ | B1 | 10.80 | 1.70 |
| 70 | TB50B1-70 | 2517 | 14.292 | 13.931 | 2 ¹ / ₂ | 1 ³ / ₄ | 4 ¹ / ₄ | B1 | 14.00 | 3.50 |
| 72 | TB50B1-72 | 2517 | 14.690 | 14.329 | 2 ¹ / ₂ | 1 ³ / ₄ | 4 ¹ / ₄ | B1 | 15.50 | 3.50 |
| 80 | TB50B1-80 | 2517 | 16.282 | 15.920 | 2 ¹ / ₂ | 1 ³ / ₄ | 4 ¹ / ₄ | B1 | 19.50 | 3.50 |
| 84 | TB50B1-84 | 2517 | 17.079 | 16.715 | 2 ¹ / ₂ | 1 ³ / ₄ | 4 ¹ / ₄ | B1 | 22.50 | 3.50 |
| 96 | TB50B1-96 | 2517 | 19.466 | 19.102 | 2 ¹ / ₂ | 1 ³ / ₄ | 4 ¹ / ₄ | B1 | 29.00 | 3.50 |
| 112 | TB50B1-112 | 2517 | 22.651 | 22.285 | 2 ¹ / ₂ | 1 ³ / ₄ | 4 ¹ / ₄ | B1 | 38.70 | 3.50 |



50-2 FOR 5/8" PITCH ANSI CHAIN

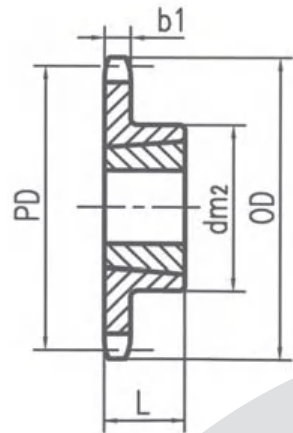
| TEETH NO. | CATALOG NO. | BUSHING NO. | DIAMETERS | | MAX. BORE | DIAMETERS | | TYPE | WEIGHT (APP.) | |
|-----------|-------------|-------------|-----------|--------|-----------|-----------|--------|------|---------------|-----------|
| | | | OD | PD | | L | dm2 | | RIM ONLY | BUSH ONLY |
| 14 | TB50B2-14H | 1008 | 3.113 | 2.809 | 1 | 7/8 | — | A2 | 0.80 | 0.30 |
| 15 | TB50B2-15H | 1210 | 3.315 | 3.006 | 1 1/4 | 1 | — | A2 | 0.90 | 0.60 |
| 16 | TB50B2-16H | 1210 | 3.517 | 3.204 | 1 1/4 | 1 | — | A2 | 1.10 | 0.60 |
| 17 | TB50B2-17H | 1610 | 3.719 | 3.410 | 1 5/8 | 1 | — | A2 | 1.10 | 0.60 |
| 18 | TB50B2-18H | 1610 | 3.920 | 3.599 | 1 5/8 | 1 | — | A2 | 1.30 | 0.90 |
| 19 | TB50B2-19H | 1610 | 4.120 | 3.797 | 1 5/8 | 1 | — | A2 | 1.60 | 0.90 |
| 20 | TB50B2-20H | 2012 | 4.321 | 3.995 | 2 | 1 1/4 | 3 1/4 | B2 | 1.50 | 1.70 |
| 21 | TB50B2-21H | 2012 | 4.522 | 4.193 | 2 | 1 1/4 | 3 1/2 | B2 | 1.90 | 1.70 |
| 25 | TB50B2-25H | 2012 | 5.322 | 4.987 | 2 | 1 1/4 | 4 9/32 | B2 | 3.80 | 1.70 |
| 30 | TB50B2-30H | 2517 | 6.321 | 5.979 | 2 1/2 | 1 3/4 | 5 9/32 | B2 | 7.50 | 3.50 |
| 36 | TB50C2-36H | 2517 | 7.519 | 7.171 | 2 1/2 | 1 3/4 | 4 1/4 | C2 | 9.40 | 3.50 |
| 42 | TB50C2-42 | 2517 | 8.715 | 8.363 | 2 1/2 | 1 3/4 | 4 1/4 | C2 | 13.40 | 3.50 |
| 48 | TB50C2-48 | 2517 | 9.911 | 9.556 | 2 1/2 | 1 3/4 | 4 1/4 | C2 | 18.60 | 3.50 |
| 52 | TB50C2-52 | 2517 | 10.707 | 10.351 | 2 1/2 | 1 3/4 | 4 3/8 | C2 | 22.20 | 3.50 |
| 60 | TB50C2-60 | 2517 | 12.301 | 11.942 | 2 1/2 | 1 3/4 | 4 3/8 | C2 | 30.30 | 3.50 |
| 68 | TB50C2-68 | 2517 | 13.893 | 13.533 | 2 1/2 | 1 3/4 | 4 3/8 | C2 | 39.40 | 3.50 |
| 76 | TB50C2-76 | 2517 | 15.486 | 15.124 | 2 1/2 | 1 3/4 | 4 3/8 | C2 | 41.20 | 3.50 |
| 84 | TB50C2-84 | 2517 | 17.079 | 16.715 | 2 1/2 | 1 3/4 | 4 3/8 | C2 | 45.30 | 3.50 |
| 95 | TB50C2-95 | 2517 | 19.267 | 18.903 | 2 1/2 | 1 3/4 | 4 3/8 | C2 | 58.80 | 3.50 |
| 102 | TB50C2-102 | 2517 | 20.661 | 20.295 | 2 1/2 | 1 3/4 | 4 3/8 | C2 | 67.10 | 3.50 |

Bore Range

| Bushings | Bore Range |
|-----------|------------|
| 1008 | 1/2-1" |
| 1210 1215 | 1/2-1 1/4 |
| 1610 | 1/2-1 5/8 |
| 2012 | 1/2-2" |
| 2517 | 1/2-2 1/2 |

Standard Keyseats

| Bore Range | Keyseat | Bore Range | Keyseat |
|--------------|-----------|---------------|----------|
| 1/2-9/16 | 1/8x1/16 | 1 7/16-1 3/4 | 3/8x3/16 |
| 5/8-7/8 | 3/16x3/32 | 1 13/16-2 1/4 | 1/2x1/4 |
| 1 5/16-1 1/4 | 1/4x1/8 | 2 5/16-2 3/4 | 5/8x5/16 |
| 1 5/16-1 3/8 | 5/16x5/32 | | |

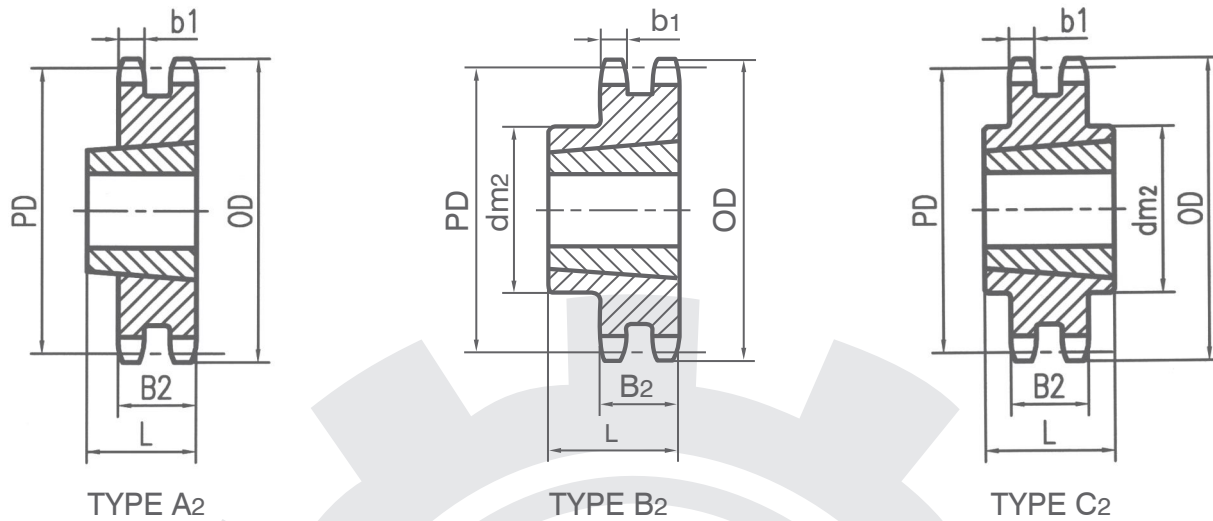


TYPE B1



60-1 FOR 3/4" PITCH ANSI CHAIN

| TEETH NO. | CATALOG NO. | BUSHING NO. | DIAMETERS | | MAX. BORE | DIAMETERS | | TYPE | WEIGHT (APP.) | |
|-----------|-------------|-------------|-----------|--------|-------------------------------|-------------------------------|---------------------------------|------|---------------|-----------|
| | | | OD | PD | | L | dm2 | | RIM ONLY | BUSH ONLY |
| 11 | TB60B1-11H | 1008 | 3.004 | 2.662 | 1 | 7/8 | 1 ¹³ / ₁₆ | B1 | 0.60 | 0.30 |
| 12 | TB60B1-12H | 1008 | 3.249 | 2.898 | 1 | 7/8 | 1 ¹⁵ / ₁₆ | B1 | 0.80 | 0.30 |
| 13 | TB60B1-13H | 1210 | 3.493 | 3.134 | 1 ¹ / ₄ | 1 | 2 ¹⁵ / ₃₂ | B1 | 0.80 | 0.60 |
| 14 | TB60B1-14H | 1210 | 3.736 | 3.371 | 1 ¹ / ₄ | 1 | 2 ¹⁵ / ₃₂ | B1 | 1.00 | 0.60 |
| 15 | TB60B1-15H | 1610 | 3.979 | 3.607 | 1 ⁵ / ₈ | 1 | 2 ²⁵ / ₃₂ | B1 | 1.00 | 0.90 |
| 16 | TB60B1-16H | 1610 | 4.221 | 3.844 | 1 ⁵ / ₈ | 1 | 3 | B1 | 1.40 | 0.90 |
| 17 | TB60B1-17H | 1610 | 4.462 | 4.082 | 1 ⁵ / ₈ | 1 | 3 ¹ / ₄ | B1 | 1.80 | 0.90 |
| 18 | TB60B1-18H | 1610 | 4.704 | 4.319 | 1 ⁵ / ₈ | 1 | 3 ¹ / ₄ | B1 | 1.90 | 0.90 |
| 19 | TB60B1-19H | 1610 | 4.945 | 4.557 | 1 ⁵ / ₈ | 1 | 3 ¹ / ₄ | B1 | 2.20 | 0.90 |
| 20 | TB60B1-20H | 2012 | 5.185 | 4.794 | 2 | 1 ¹ / ₄ | 3 ⁹ / ₁₆ | B1 | 2.20 | 1.70 |
| 21 | TB60B1-21H | 2012 | 5.426 | 5.032 | 2 | 1 ¹ / ₄ | 3 ⁹ / ₁₆ | B1 | 2.50 | 1.70 |
| 22 | TB60B1-22H | 2012 | 5.666 | 5.270 | 2 | 1 ¹ / ₄ | 3 ⁹ / ₁₆ | B1 | 2.80 | 1.70 |
| 23 | TB60B1-23H | 2012 | 5.907 | 5.508 | 2 | 1 ¹ / ₄ | 3 ⁹ / ₁₆ | B1 | 3.10 | 1.70 |
| 24 | TB60B1-24H | 2012 | 6.147 | 5.746 | 2 | 1 ¹ / ₄ | 3 ⁹ / ₁₆ | B1 | 3.40 | 1.70 |
| 25 | TB60B1-25H | 2012 | 6.387 | 5.984 | 2 | 1 ¹ / ₄ | 3 ⁹ / ₁₆ | B1 | 3.70 | 1.70 |
| 26 | TB60B1-26H | 2012 | 6.627 | 6.222 | 2 | 1 ¹ / ₄ | 3 ⁹ / ₁₆ | B1 | 4.00 | 1.70 |
| 27 | TB60B1-27H | 2012 | 6.867 | 6.416 | 2 | 1 ¹ / ₄ | 3 ⁹ / ₁₆ | B1 | 4.20 | 1.70 |
| 28 | TB60B1-28H | 2012 | 7.107 | 6.699 | 2 | 1 ¹ / ₄ | 3 ⁹ / ₁₆ | B1 | 4.60 | 1.70 |
| 30 | TB60B1-30H | 2012 | 7.586 | 7.175 | 2 | 1 ¹ / ₄ | 3 ⁹ / ₁₆ | B1 | 5.20 | 1.70 |
| 32 | TB60B1-32H | 2012 | 8.065 | 7.652 | 2 | 1 ¹ / ₄ | 3 ⁹ / ₁₆ | B1 | 5.60 | 1.70 |
| 35 | TB60B1-35H | 2012 | 8.783 | 8.367 | 2 | 1 ¹ / ₄ | 3 ⁹ / ₁₆ | B1 | 6.40 | 1.70 |
| 36 | TB60B1-36H | 2012 | 9.022 | 8.605 | 2 | 1 ¹ / ₄ | 3 ⁹ / ₁₆ | B1 | 6.60 | 1.70 |
| 40 | TB60B1-40 | 2012 | 9.980 | 9.559 | 2 | 1 ¹ / ₄ | 3 ⁹ / ₁₆ | B1 | 8.30 | 1.70 |
| 42 | TB60B1-42 | 2012 | 10.458 | 10.036 | 2 | 1 ¹ / ₄ | 3 ⁹ / ₁₆ | B1 | 10.50 | 1.70 |
| 45 | TB60B1-45 | 2012 | 11.175 | 10.752 | 2 | 1 ¹ / ₄ | 3 ⁹ / ₁₆ | B1 | 11.50 | 1.70 |
| 48 | TB60B1-48 | 2012 | 11.893 | 11.467 | 2 | 1 ¹ / ₄ | 3 ⁹ / ₁₆ | B1 | 13.20 | 1.70 |
| 54 | TB60B1-54 | 2517 | 13.327 | 12.899 | 2 ¹ / ₂ | 1 ³ / ₄ | 4 ¹ / ₄ | B1 | 17.10 | 3.50 |
| 60 | TB60B1-60 | 2517 | 14.761 | 14.330 | 2 ¹ / ₂ | 1 ³ / ₄ | 4 ¹ / ₄ | B1 | 21.00 | 3.50 |
| 70 | TB60B1-70 | 2517 | 17.150 | 16.717 | 2 ¹ / ₂ | 1 ³ / ₄ | 4 ¹ / ₄ | B1 | 27.60 | 3.50 |
| 72 | TB60B1-72 | 2517 | 17.628 | 17.194 | 2 ¹ / ₂ | 1 ³ / ₄ | 4 ¹ / ₄ | B1 | 30.00 | 3.50 |
| 80 | TB60B1-80 | 2517 | 19.539 | 19.103 | 2 ¹ / ₂ | 1 ³ / ₄ | 4 ¹ / ₄ | B1 | 36.30 | 3.50 |
| 84 | TB60B1-84 | 2517 | 20.494 | 20.058 | 2 ¹ / ₂ | 1 ³ / ₄ | 4 ¹ / ₄ | B1 | 40.60 | 3.50 |



60-2 FOR 3/4" PITCH ANSI CHAIN

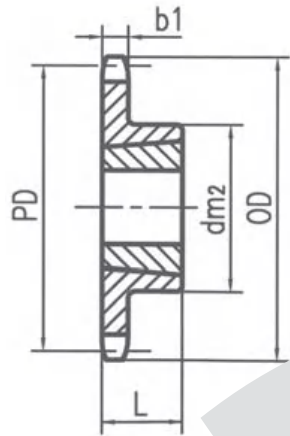
| TEETH NO. | CATALOG NO. | BUSHING NO. | DIAMETERS | | MAX. BORE | DIAMETERS | | TYPE | WEIGHT(APP.) | |
|-----------|-------------|-------------|-----------|--------|-----------|-----------|---------|------|--------------|-----------|
| | | | OD | PD | | L | dm2 | | RIM ONLY | BUSH ONLY |
| 13 | TB60B2-13H | 1215 | 3.493 | 3.134 | 1 1/4 | 1 1/2 | 2 1/4 | B2 | 1.20 | 0.80 |
| 14 | TB60B2-14H | 1215 | 3.736 | 3.371 | 1 1/4 | 1 1/2 | 2 1/2 | B2 | 1.60 | 0.80 |
| 15 | TB60B2-15H | 1615 | 3.979 | 3.607 | 1 5/8 | 1 1/2 | 2 13/16 | B2 | 1.30 | 1.20 |
| 16 | TB60B2-16H | 1615 | 4.221 | 3.844 | 1 5/8 | 1 1/2 | 3 | B2 | 2.20 | 1.20 |
| 17 | TB60B2-17H | 1615 | 4.462 | 4.082 | 1 5/8 | 1 1/2 | 3 1/4 | B2 | 2.50 | 1.20 |
| 18 | TB60B2-18H | 2012 | 4.704 | 4.319 | 2 | 1 1/4 | — | A2 | 3.00 | 1.70 |
| 19 | TB60B2-19H | 2012 | 4.945 | 4.557 | 2 | 1 1/4 | — | A2 | 3.50 | 1.70 |
| 20 | TB60B2-20H | 2517 | 5.185 | 4.794 | 2 1/2 | 1 3/4 | 3 61/64 | B2 | 4.00 | 3.50 |
| 21 | TB60B2-21H | 2517 | 5.426 | 5.032 | 2 1/2 | 1 3/4 | 4 3/16 | B2 | 5.00 | 3.50 |
| 25 | TB60B2-25H | 2517 | 6.387 | 5.984 | 2 1/2 | 1 3/4 | 5 5/32 | B2 | 7.50 | 3.50 |
| 30 | TB60B2-30H | 2517 | 7.586 | 7.175 | 2 1/2 | 1 3/4 | 6 11/32 | B2 | 13.50 | 3.50 |
| 36 | TB60C2-36H | 2517 | 9.022 | 8.605 | 2 1/2 | 1 3/4 | 4 1/4 | C2 | 17.50 | 3.50 |
| 42 | TB60C2-42 | 2517 | 10.458 | 10.036 | 2 1/2 | 1 3/4 | 4 1/4 | C2 | 25.50 | 3.50 |
| 45 | TB60C2-45 | 2517 | 11.176 | 10.752 | 2 1/2 | 1 3/4 | 4 1/4 | C2 | 29.50 | 3.50 |
| 52 | TB60C2-52 | 2517 | 12.849 | 12.422 | 2 1/2 | 1 3/4 | 4 1/4 | C2 | 41.00 | 3.50 |
| 60 | TB60C2-60 | 2517 | 14.761 | 14.330 | 2 1/2 | 1 3/4 | 4 1/4 | C2 | 32.50 | 3.50 |
| 68 | TB60C2-68 | 2517 | 16.672 | 16.240 | 2 1/2 | 1 3/4 | 4 1/2 | C2 | 36.50 | 3.50 |
| 76 | TB60C2-76 | 3020 | 18.583 | 18.149 | 3 | 2 | 5 1/4 | C2 | 42.50 | 6.50 |
| 95 | TB60C2-95 | 3020 | 23.121 | 22.684 | 3 | 2 | 5 1/4 | C2 | 48.50 | 6.50 |

Bore Range

| Bushings | Bore Range |
|----------|------------|
| 1215 | 1/2-1 1/4 |
| 1615 | 1/2-1 5/8 |
| 2012 | 1/2-2" |
| 2517 | 1/2-2 1/2 |
| 3020 | 7/8-3" |

Standard Keyseats

| Bore Range | Keyseat | Bore Range | Keyseat |
|---------------|-----------|---------------|----------|
| 1/2-9/16 | 1/8x1/16 | 25/16-23/4 | 5/8x5/16 |
| 5/8-7/8 | 3/16x3/32 | 2 13/16-3 1/4 | 3/4x3/8 |
| 15/16-1 1/4 | 1/4x1/8 | | |
| 15/16-1 3/8 | 5/16x5/32 | | |
| 1 7/16-1 3/4 | 3/8x3/16 | | |
| 1 13/16-2 1/4 | 1/2x1/4 | | |

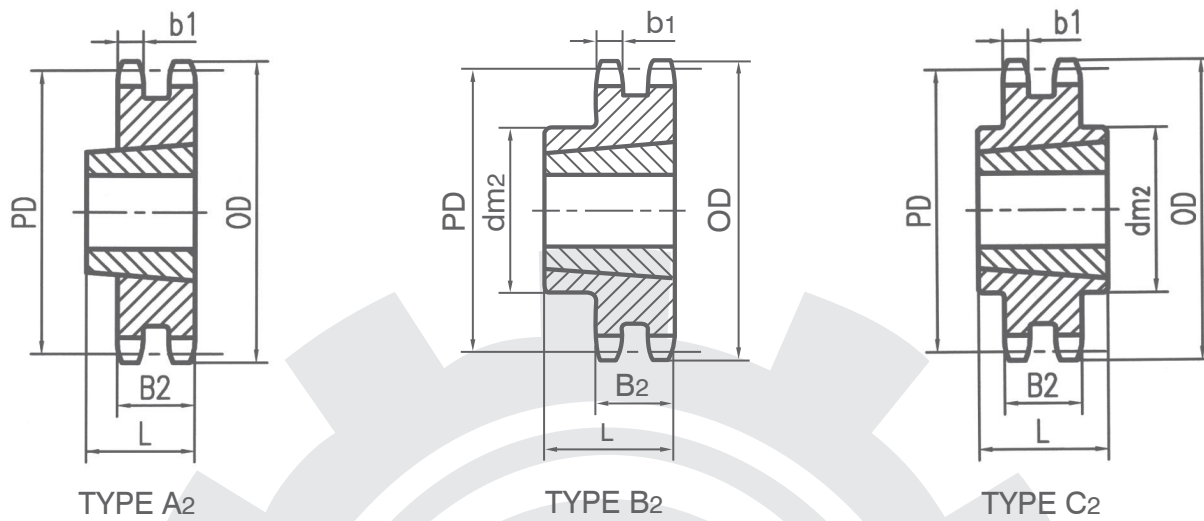


TYPE B1



80-1 FOR 1" PITCH ANSI CHAIN

| TEETH NO. | CATALOG NO. | BUSHING NO. | DIAMETERS | | MAX. BORE | DIAMETERS | | TYPE | WEIGHT(APP) | |
|-----------|-------------|-------------|-----------|--------|-----------|-----------|---------|------|-------------|-----------|
| | | | OD | PD | | L | dm2 | | RIM ONLY | BUSH ONLY |
| 10 | TB80B1-10H | 1215 | 3.678 | 3.236 | 1 1/4 | 1 1/2 | 2 3/8 | B1 | 1.10 | 0.80 |
| 11 | TB80B1-11H | 1215 | 4.006 | 3.549 | 1 1/4 | 1 1/2 | 2 15/32 | B1 | 1.50 | 0.80 |
| 12 | TB80B1-12H | 1615 | 4.332 | 3.864 | 1 5/8 | 1 1/2 | 3 | B1 | 1.80 | 1.20 |
| 13 | TB80B1-13H | 1615 | 4.657 | 4.179 | 1 5/8 | 1 1/2 | 3 | B1 | 2.30 | 1.20 |
| 14 | TB80B1-14H | 1615 | 4.982 | 4.494 | 1 5/8 | 1 1/2 | 3 1/4 | B1 | 2.50 | 1.20 |
| 15 | TB80B1-15H | 1615 | 5.305 | 4.810 | 1 5/8 | 1 1/2 | 3 1/4 | B1 | 2.70 | 1.20 |
| 16 | TB80B1-16H | 2012 | 5.627 | 5.126 | 2 | 1 1/4 | 3 9/16 | B1 | 2.80 | 1.70 |
| 17 | TB80B1-17H | 2012 | 5.950 | 5.442 | 2 | 1 1/4 | 3 9/16 | B1 | 3.10 | 1.70 |
| 18 | TB80B1-18H | 2012 | 6.271 | 5.759 | 2 | 1 1/4 | 3 9/16 | B1 | 3.60 | 1.70 |
| 19 | TB80B1-19H | 2012 | 6.593 | 6.076 | 2 | 1 1/4 | 3 9/16 | B1 | 4.10 | 1.70 |
| 20 | TB80B1-20H | 2517 | 6.914 | 6.392 | 2 1/2 | 1 3/4 | 4 1/4 | B1 | 5.50 | 3.50 |
| 21 | TB80B1-21H | 2517 | 7.235 | 6.710 | 2 1/2 | 1 3/4 | 4 1/4 | B1 | 6.00 | 3.50 |
| 22 | TB80B1-22H | 2517 | 7.555 | 7.027 | 2 1/2 | 1 3/4 | 4 1/4 | B1 | 6.50 | 3.50 |
| 23 | TB80B1-23H | 2517 | 7.875 | 7.344 | 2 1/2 | 1 3/4 | 4 1/4 | B1 | 7.00 | 3.50 |
| 24 | TB80B1-24H | 2517 | 8.196 | 7.661 | 2 1/2 | 1 3/4 | 4 1/4 | B1 | 7.50 | 3.50 |
| 25 | TB80B1-25H | 2517 | 8.516 | 7.979 | 2 1/2 | 1 3/4 | 4 1/4 | B1 | 8.10 | 3.50 |
| 26 | TB80B1-26H | 2517 | 8.836 | 8.296 | 2 1/2 | 1 3/4 | 4 1/4 | B1 | 8.80 | 3.50 |
| 27 | TB80B1-27H | 2517 | 9.156 | 8.614 | 2 1/2 | 1 3/4 | 4 1/4 | B1 | 9.00 | 3.50 |
| 28 | TB80B1-28H | 2517 | 9.475 | 8.931 | 2 1/2 | 1 3/4 | 4 1/4 | B1 | 9.50 | 3.50 |
| 30 | TB80B1-30H | 2517 | 10.114 | 9.567 | 2 1/2 | 1 3/4 | 4 1/4 | B1 | 11.50 | 3.50 |
| 32 | TB80B1-32H | 2517 | 10.753 | 10.202 | 2 1/2 | 1 3/4 | 4 1/4 | B1 | 12.00 | 3.50 |
| 35 | TB80B1-35H | 2517 | 11.711 | 11.156 | 2 1/2 | 1 3/4 | 4 1/4 | B1 | 15.20 | 3.50 |
| 36 | TB80B1-36H | 2517 | 12.030 | 11.474 | 2 1/2 | 1 3/4 | 4 1/4 | B1 | 17.00 | 3.50 |
| 40 | TB80B1-40 | 2517 | 13.306 | 12.746 | 2 1/2 | 1 3/4 | 4 1/4 | B1 | 21.00 | 3.50 |
| 45 | TB80B1-45 | 2517 | 14.901 | 14.336 | 2 1/2 | 1 3/4 | 4 1/4 | B1 | 26.50 | 3.50 |
| 48 | TB80B1-48 | 2517 | 15.857 | 15.290 | 2 1/2 | 1 3/4 | 4 1/4 | B1 | 29.50 | 3.50 |
| 54 | TB80B1-54 | 2517 | 17.769 | 17.198 | 2 1/2 | 1 3/4 | 4 1/4 | B1 | 38.50 | 3.50 |
| 60 | TB80B1-60 | 2517 | 19.681 | 19.107 | 2 1/2 | 1 3/4 | 4 1/4 | B1 | 45.00 | 3.50 |
| 70 | TB80B1-70 | 3020 | 22.867 | 22.289 | 3 | 2 | 5 1/4 | B1 | 52.30 | 6.50 |
| 80 | TB80B1-80 | 3020 | 26.052 | 25.471 | 3 | 2 | 5 1/4 | B1 | 69.20 | 6.50 |



80-2 FOR 1" PITCH ANSI CHAIN

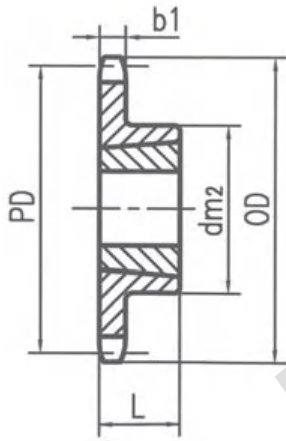
| TEETH NO. | CATALOG NO. | BUSHING NO. | DIAMETERS | | MAX. BORE | DIAMETERS | | TYPE | WEIGHT (APP.) | |
|-----------|-------------|-------------|-----------|--------|-----------|-----------|--------|------|---------------|-----------|
| | | | OD | PD | | L | dm2 | | RIM ONLY | BUSH ONLY |
| 13 | TB80B2-13H | 1615 | 4.657 | 4.179 | 15/8 | 1 1/2 | — | A2 | 3.40 | 1.20 |
| 14 | TB80B2-14H | 2012 | 4.982 | 4.494 | 2 | 1 1/4 | — | A2 | 3.50 | 1.70 |
| 15 | TB80B2-15H | 2012 | 5.305 | 4.810 | 2 | 1 1/4 | — | A2 | 4.30 | 1.70 |
| 16 | TB80B2-16H | 2517 | 5.627 | 5.126 | 2 1/2 | 1 3/4 | 3 1/8 | A2 | 3.80 | 3.50 |
| 17 | TB80B2-17H | 2517 | 5.950 | 5.442 | 2 1/2 | 1 3/4 | 3 1/8 | A2 | 5.10 | 3.50 |
| 18 | TB80B2-18H | 2517 | 6.271 | 5.759 | 2 1/2 | 1 3/4 | 3 1/8 | A2 | 6.40 | 3.50 |
| 19 | TB80B2-19H | 3020 | 6.593 | 6.076 | 3 | 2 | 5 | B2 | 6.60 | 6.50 |
| 20 | TB80B2-20H | 3020 | 6.914 | 6.392 | 3 | 2 | 5 1/4 | B2 | 7.10 | 6.50 |
| 21 | TB80B2-21H | 3020 | 7.235 | 6.710 | 3 | 2 | 5 9/16 | B2 | 8.90 | 6.50 |
| 25 | TB80B2-25H | 3020 | 8.516 | 7.979 | 3 | 2 | 6 7/8 | B2 | 16.50 | 6.50 |
| 30 | TB80C2-30H | 3020 | 10.114 | 9.567 | 3 | 2 | 5 1/4 | C2 | 25.10 | 6.50 |
| 36 | TB80C2-36H | 3020 | 12.030 | 11.474 | 3 | 2 | 5 1/4 | C2 | 39.40 | 6.50 |
| 42 | TB80C2-42 | 3020 | 13.944 | 13.392 | 3 | 2 | 5 1/4 | C2 | 41.40 | 6.50 |
| 45 | TB80C2-45 | 3020 | 14.901 | 14.336 | 3 | 2 | 5 1/4 | C2 | 56.20 | 6.50 |
| 52 | TB80C2-52 | 3020 | 17.132 | 16.562 | 3 | 2 | 5 1/4 | C2 | 66.30 | 6.50 |
| 60 | TB80C2-60 | 3020 | 19.681 | 19.107 | 3 | 2 | 5 1/4 | C2 | 72.00 | 6.50 |
| 68 | TB80C2-68 | 3020 | 22.230 | 21.653 | 3 | 2 | 5 1/4 | C2 | 89.10 | 6.50 |
| 76 | TB80C2-76 | 3020 | 24.778 | 24.198 | 3 | 2 | 5 1/4 | C2 | 112.00 | 6.50 |
| 95 | TB80C2-95 | 3020 | 30.828 | 30.245 | 3 | 2 | 5 1/4 | C2 | 125.00 | 6.50 |

Bore Range

| Bushings | Bore Range |
|----------|------------|
| 1615 | 1/2-15/8 |
| 2012 | 1/2-2" |
| 2517 | 1/2-2 1/2 |
| 3020 | 7/8-3" |

Standard Keyseats

| Bore Range | Keyseat | Bore Range | Keyseat |
|---------------|-----------|---------------|----------|
| 1/2-9/16 | 1/8x1/16 | 25/16-23/4 | 5/8x5/16 |
| 5/8-7/8 | 3/16x3/32 | 2 13/16-3 1/4 | 3/4x3/8 |
| 15/16-1 1/4 | 1/4x1/8 | | |
| 15/16-1 3/8 | 5/16x5/32 | | |
| 17/16-1 3/4 | 3/8x3/16 | | |
| 1 13/16-2 1/4 | 1/2x1/4 | | |

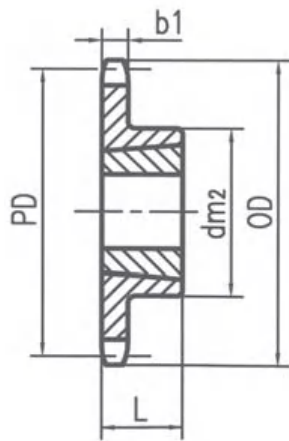


TYPE B1

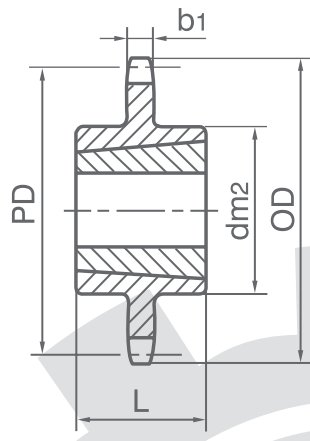


100-1 FOR 1 1/4" PITCH ANSI CHAIN

| TEETH NO. | CATALOG NO. | BUSHING NO. | DIAMETERS | | MAX. BORE | DIAMETERS | | TYPE | WEIGHT (APP.) | |
|-----------|-------------|-------------|-----------|--------|-----------|-----------|-------|------|---------------|-----------|
| | | | O.D | P.D | | L | dm2 | | RIM ONLY | BUSH ONLY |
| 11 | TB100B1-11H | 1615 | 5.007 | 4.437 | 15/8 | 1 1/2 | 3 | B | 2.70 | 1.20 |
| 12 | TB100B1-12H | 1615 | 5.415 | 4.830 | 15/8 | 1 1/2 | 3 1/4 | B | 3.50 | 1.20 |
| 13 | TB100B1-13H | 2012 | 5.821 | 5.223 | 2 | 1 1/4 | 39/16 | B | 3.60 | 1.70 |
| 14 | TB100B1-14H | 2012 | 6.227 | 5.617 | 2 | 1 1/4 | 39/16 | B | 3.90 | 1.70 |
| 15 | TB100B1-15H | 2517 | 6.631 | 6.012 | 2 1/2 | 1 3/4 | 4 1/4 | B | 5.00 | 3.50 |
| 16 | TB100B1-16H | 2517 | 7.034 | 6.407 | 2 1/2 | 1 3/4 | 4 1/2 | B | 6.40 | 3.50 |
| 17 | TB100B1-17H | 2517 | 7.437 | 6.803 | 2 1/2 | 1 3/4 | 4 1/2 | B | 7.10 | 3.50 |
| 18 | TB100B1-18H | 2517 | 7.839 | 7.198 | 2 1/2 | 1 3/4 | 4 1/2 | B | 7.80 | 3.50 |
| 19 | TB100B1-19H | 2517 | 8.241 | 7.594 | 2 1/2 | 1 3/4 | 4 1/2 | B | 8.70 | 3.50 |
| 20 | TB100B1-20H | 2517 | 8.642 | 7.991 | 2 1/2 | 1 3/4 | 4 1/2 | B | 9.60 | 3.50 |
| 21 | TB100B1-21H | 2517 | 9.043 | 8.387 | 2 1/2 | 1 3/4 | 4 1/2 | B | 10.60 | 3.50 |
| 22 | TB100B1-22H | 2517 | 9.444 | 8.783 | 2 1/2 | 1 3/4 | 4 1/2 | B | 11.00 | 3.50 |
| 24 | TB100B1-24H | 2517 | 10.245 | 9.577 | 2 1/2 | 1 3/4 | 4 1/2 | B | 13.00 | 3.50 |
| 26 | TB100B1-26H | 2517 | 11.045 | 10.370 | 2 1/2 | 1 3/4 | 4 1/2 | B | 15.00 | 3.50 |
| 28 | TB100B1-28H | 3020 | 11.844 | 11.164 | 3 | 2 | 5 1/4 | B | 16.50 | 6.50 |
| 30 | TB100B1-30H | 3020 | 12.643 | 11.958 | 3 | 2 | 5 1/4 | B | 22.00 | 6.50 |
| 32 | TB100B1-32 | 3020 | 13.442 | 12.753 | 3 | 2 | 5 1/4 | B | 23.00 | 6.50 |
| 35 | TB100B1-35 | 3020 | 14.639 | 13.945 | 3 | 2 | 5 1/4 | B | 28.00 | 6.50 |
| 36 | TB100B1-36 | 3020 | 15.038 | 14.342 | 3 | 2 | 5 1/4 | B | 31.00 | 6.50 |
| 40 | TB100B1-40 | 3020 | 16.633 | 15.932 | 3 | 2 | 5 1/4 | B | 37.00 | 6.50 |
| 45 | TB100B1-45 | 3020 | 18.626 | 17.919 | 3 | 2 | 5 1/4 | B | 46.00 | 6.50 |
| 48 | TB100B1-48 | 3020 | 19.821 | 19.112 | 3 | 2 | 5 1/4 | B | 53.00 | 6.50 |
| 54 | TB100B1-54 | 3020 | 22.212 | 21.498 | 3 | 2 | 5 1/4 | B | 62.00 | 6.50 |
| 60 | TB100B1-60 | 3020 | 24.601 | 23.884 | 3 | 2 | 5 1/4 | B | 72.00 | 6.50 |



TYPE B1



TYPE C1



120-1 FOR 1 1/2" PITCH ANSI CHAIN

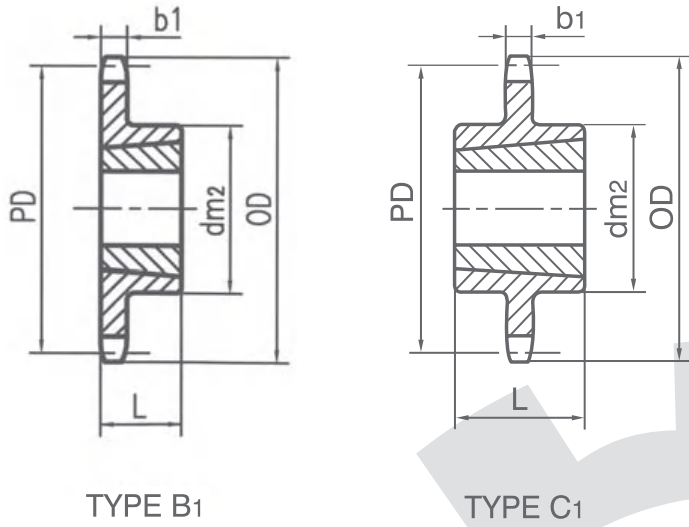
| TEETH NO. | CATALOG NO. | BUSHING NO. | DIAMETERS | | MAX. BORE | DIAMETERS | | TYPE | WEIGHT (APP.) | |
|-----------|-------------|-------------|-----------|--------|-----------|-----------|-------|------|---------------|-----------|
| | | | O.D. | P.D. | | L | dm2 | | RIM ONLY | BUSH ONLY |
| 12 | TB120B1-12H | 2012 | 6.498 | 5.796 | 2 | 1 1/4 | 39/16 | B1 | 5.50 | 1.70 |
| 13 | TB120B1-13H | 2517 | 6.896 | 6.268 | 2 1/2 | 1 3/4 | 41/4 | B1 | 6.00 | 3.50 |
| 14 | TB120B1-14H | 2517 | 7.472 | 6.741 | 2 1/2 | 1 3/4 | 41/4 | B1 | 7.00 | 3.50 |
| 15 | TB120B1-15H | 2517 | 7.957 | 7.215 | 2 1/2 | 1 3/4 | 41/4 | B1 | 8.00 | 3.50 |
| 16 | TB120B1-16H | 3020 | 8.441 | 7.689 | 3 | 2 | 5 1/4 | B1 | 10.00 | 6.50 |
| 17 | TB120B1-17H | 3020 | 8.924 | 8.163 | 3 | 2 | 5 1/4 | B1 | 11.00 | 6.50 |
| 18 | TB120B1-18H | 3020 | 9.407 | 8.638 | 3 | 2 | 5 1/4 | B1 | 12.00 | 6.50 |
| 19 | TB120B1-19H | 3020 | 9.889 | 9.113 | 3 | 2 | 5 1/4 | B1 | 14.00 | 6.50 |
| 20 | TB120B1-20H | 3020 | 10.371 | 9.588 | 3 | 2 | 5 1/4 | B1 | 15.50 | 6.50 |
| 21 | TB120B1-21H | 3020 | 10.851 | 10.064 | 3 | 2 | 5 1/4 | B1 | 17.50 | 6.50 |
| 24 | TB120B1-24H | 3020 | 12.294 | 11.492 | 3 | 2 | 5 1/4 | B1 | 23.50 | 6.50 |
| 26 | TB120B1-26H | 3020 | 13.254 | 12.444 | 3 | 2 | 5 1/4 | B1 | 28.50 | 6.50 |
| 30 | TB120B1-30H | 3020 | 15.171 | 14.351 | 3 | 2 | 5 1/4 | B1 | 33.50 | 6.50 |
| 35 | TB120C1-35 | 3020 | 17.566 | 16.734 | 3 | 2 | 5 1/4 | C1 | 52.00 | 6.50 |
| 45 | TB120C1-45 | 3030 | 22.351 | 21.503 | 3 | 3 | 5 7/8 | C1 | 82.00 | 6.50 |
| 60 | TB120C1-60 | 3535 | 29.522 | 28.661 | 3 1/2 | 3 1/2 | 6 1/2 | C1 | 140.00 | 14.00 |
| 70 | TB120C1-70 | 3535 | 34.301 | 33.434 | 3 1/2 | 3 1/2 | 6 1/2 | C1 | 175.00 | 14.00 |
| 80 | TB120C1-80 | 3535 | 39.078 | 38.207 | 3 1/2 | 3 1/2 | 6 1/2 | C1 | 220.00 | 14.00 |

Bore Range

| Bushings | Bore Range |
|-----------|---------------|
| 2012 | 1/2-2" |
| 2517 | 1/2-2 1/2" |
| 3020 3030 | 7/8-3" |
| 3535 | 1 3/16-3 1/2" |

Standard Keyseats

| Bore Range | Keysat | Bore Range | Keysat |
|---------------|-----------|---------------|----------|
| 1/2-9/16 | 1/8x1/16 | 25/16-23/4 | 5/8x5/16 |
| 5/8-7/8 | 3/16x3/32 | 2 13/16-3 1/4 | 3/4x3/8 |
| 15/16-1 1/4 | 1/4x1/8 | 35/16-3 3/4 | 7/8x7/16 |
| 15/16-1 3/8 | 5/16x5/32 | | |
| 1 7/16-1 3/4 | 3/8x3/16 | | |
| 1 13/16-2 1/4 | 1/2x1/4 | | |



140-1 FOR 1 3/4" PITCH ANSI CHAIN

| TEETH NO. | CATALOG NO. | BUSHING NO. | DIAMETERS | | MAX. BORE | DIAMETERS | | TYPE | WEIGHT(APP.) | |
|-----------|-------------|-------------|-----------|--------|-----------|-----------|-------|------|--------------|-----------|
| | | | O.D. | P.D. | | L | dm2 | | RIM ONLY | BUSH ONLY |
| 12 | TB140B1-12H | 2517 | 7.581 | 6.762 | 2 1/2 | 1 3/4 | 4 1/4 | B1 | 7.00 | 3.50 |
| 13 | TB140B1-13H | 3020 | 8.150 | 7.313 | 3 | 2 | 5 1/4 | B1 | 8.00 | 6.50 |
| 14 | TB140B1-14H | 3020 | 8.718 | 7.864 | 3 | 2 | 5 1/4 | B1 | 10.00 | 6.50 |
| 15 | TB140B1-15H | 3020 | 9.283 | 8.417 | 3 | 2 | 5 1/4 | B1 | 12.00 | 6.50 |
| 16 | TB140B1-16H | 3020 | 9.848 | 8.970 | 3 | 2 | 5 1/4 | B1 | 14.00 | 6.50 |
| 17 | TB140B1-17H | 3020 | 10.411 | 9.524 | 3 | 2 | 5 1/4 | B1 | 16.00 | 6.50 |
| 18 | TB140B1-18H | 3020 | 10.975 | 10.078 | 3 | 2 | 5 1/4 | B1 | 18.00 | 6.50 |
| 19 | TB140B1-19H | 3020 | 11.537 | 10.632 | 3 | 2 | 5 1/4 | B1 | 20.00 | 6.50 |
| 21 | TB140B1-21H | 3020 | 12.660 | 11.742 | 3 | 2 | 5 1/4 | B1 | 24.00 | 6.50 |
| 26 | TB140B1-26 | 3020 | 15.463 | 14.518 | 3 | 2 | 5 1/4 | B1 | 40.00 | 6.50 |
| 35 | TB140C1-35 | 3535 | 20.494 | 19.523 | 3 1/2 | 3 1/2 | 6 1/2 | C1 | 78.00 | 14.0 |
| 45 | TB140C1-45 | 4040 | 26.076 | 25.087 | 4 | 4 | 7 3/4 | C1 | 118.00 | 22.0 |
| 60 | TB140C1-60 | 4040 | 34.442 | 33.438 | 4 | 4 | 7 3/4 | C1 | 188.0 | 22.0 |
| 70 | TB140C1-70 | 4040 | 40.017 | 39.006 | 4 | 4 | 7 3/4 | C1 | 241.00 | 22.0 |

160-1 FOR 2" PITCH ANSI CHAIN

| TEETH NO. | CATALOG NO. | BUSHING NO. | DIAMETERS | | MAX. BORE | DIAMETERS | | TYPE | WEIGHT(APP.) | |
|-----------|-------------|-------------|-----------|--------|-----------|-----------|-------|------|--------------|-----------|
| | | | O.D. | P.D. | | L | dm2 | | RIM ONLY | BUSH ONLY |
| 11 | TB160B1-11H | 2517 | 8.011 | 7.099 | 2 1/2 | 1 3/4 | 4 1/4 | B1 | 9.00 | 3.50 |
| 12 | TB160B1-12H | 3020 | 8.664 | 7.727 | 3 | 2 | 5 1/4 | B1 | 11.00 | 6.50 |
| 13 | TB160B1-13H | 3020 | 9.314 | 8.357 | 3 | 2 | 5 1/4 | B1 | 13.00 | 6.50 |
| 14 | TB160B1-14H | 3020 | 9.963 | 8.988 | 3 | 2 | 5 1/4 | B1 | 16.00 | 6.50 |
| 15 | TB160B1-15H | 3535 | 10.609 | 9.620 | 3 1/2 | 3 1/2 | 6 1/2 | B1 | 25.00 | 14.00 |
| 16 | TB160B1-16H | 3535 | 11.255 | 10.252 | 3 1/2 | 3 1/2 | 6 1/2 | B1 | 28.00 | 14.00 |
| 17 | TB160B1-17H | 3535 | 11.899 | 10.885 | 3 1/2 | 3 1/2 | 6 1/2 | B1 | 32.00 | 14.00 |
| 18 | TB160B1-18H | 3535 | 12.543 | 11.518 | 3 1/2 | 3 1/2 | 6 1/2 | B1 | 35.00 | 14.00 |
| 19 | TB160B1-19H | 3535 | 13.185 | 12.151 | 3 1/2 | 3 1/2 | 6 1/2 | B1 | 39.00 | 14.00 |
| 21 | TB160B1-21H | 3535 | 14.470 | 13.419 | 3 1/2 | 3 1/2 | 6 1/2 | B1 | 48.00 | 14.00 |
| 26 | TB160B1-26 | 3535 | 17.671 | 16.593 | 3 1/2 | 3 1/2 | 6 1/2 | B1 | 38.00 | 14.00 |
| 35 | TB160C1-35 | 4040 | 23.422 | 22.312 | 4 | 4 | 7 3/4 | C1 | 118.00 | 22.00 |
| 45 | TB160C1-45 | 4040 | 29.802 | 28.671 | 4 | 4 | 7 3/4 | C1 | 186.00 | 22.00 |
| 60 | TB160C1-60 | 4545 | 39.362 | 38.215 | 4 1/2 | 4 1/2 | 8 3/4 | C1 | 292.00 | 30.00 |



New Standard Power Transmission

**T_{aper}
B_{ore}** *Sprockets*

QTL

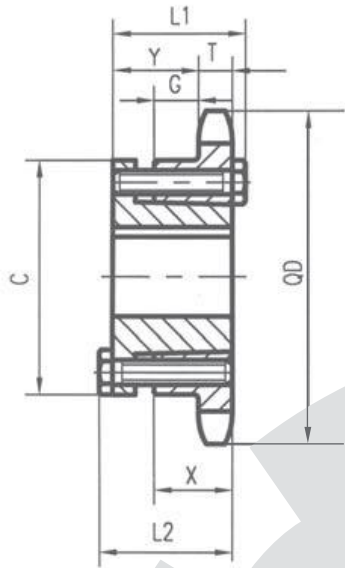
NSPT Complete series of "QTL" TB Sprockets and matching "QTL" bushes,
(Pitch from 3/8"-2 1/2", types of bushes from JA-S).



QTL TB Sprockets adopt commercial package, which can be labeled under the customers' names.



Complete series of QTL (JA-S) bushes are all stocked items that can be supplied on-hand.



QTL-TYPE B1

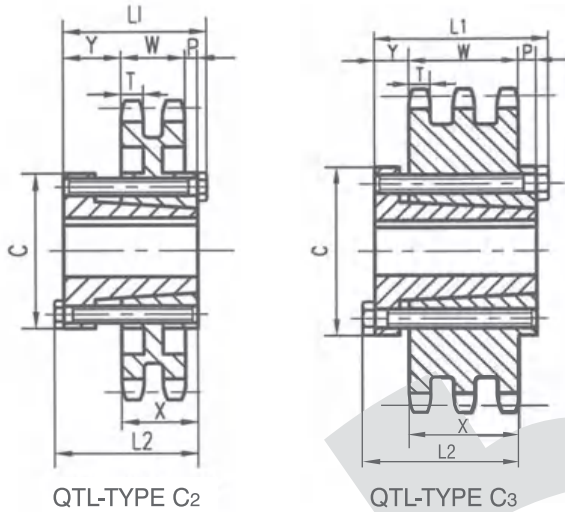


35-1 FOR 3/8" PITCH ANSI CHAIN

| TEETH NO. | CATALOG NUMBER | BUSH | DIAMETERS | | TYPE | MAX. BORE | DIAMETERS | | | | | | | WEIGHT (APP) | |
|-----------|----------------|------|-----------|--------|------|-----------|-----------|-------|--------|-------|-------|-------|-------|--------------|-----------|
| | | | O.D. | P.D. | | | L1 | L2 | C | Y | G | X | T | RIM ONLY | BUSH ONLY |
| 19 | QTL35JA19H | JA | 2.470 | 2.278 | B1 | 1 1/4 | 1 1/8 | 1 1/8 | 21/16 | 53/64 | 29/64 | 5/8 | 0.168 | 1.18 | 0.28 |
| 20 | QTL35JA20H | JA | 2.590 | 2.397 | B1 | 1 1/4 | 1 1/8 | 1 1/8 | 21/16 | 53/64 | 29/64 | 5/8 | 0.168 | 1.22 | 0.32 |
| 21 | QTL35JA21H | JA | 2.710 | 2.516 | B1 | 1 1/4 | 1 1/8 | 1 1/8 | 21/16 | 53/64 | 29/64 | 5/8 | 0.168 | 1.24 | 0.34 |
| 22 | QTL35JA22H | JA | 2.830 | 2.635 | B1 | 1 1/4 | 1 1/8 | 1 1/8 | 21/16 | 53/64 | 29/64 | 5/8 | 0.168 | 1.26 | 0.36 |
| 23 | QTL35JA23H | JA | 2.950 | 2.754 | B1 | 1 1/4 | 1 1/8 | 1 1/8 | 21/16 | 53/64 | 29/64 | 5/8 | 0.168 | 1.26 | 0.38 |
| 24 | QTL35JA24H | JA | 3.070 | 2.873 | B1 | 1 1/4 | 1 1/8 | 1 1/8 | 21/16 | 53/64 | 29/64 | 5/8 | 0.168 | 1.28 | 0.40 |
| 25 | QTL35JA25H | JA | 3.190 | 2.992 | B1 | 1 1/4 | 1 1/8 | 1 1/8 | 21/16 | 53/64 | 29/64 | 5/8 | 0.168 | 1.30 | 0.44 |
| 26 | QTL35JA26H | JA | 3.310 | 3.111 | B1 | 1 1/4 | 1 1/8 | 1 1/8 | 21/16 | 53/64 | 29/64 | 5/8 | 0.168 | 1.34 | 0.46 |
| 27 | QTL35JA27H | JA | 3.430 | 3.230 | B1 | 1 1/4 | 1 1/8 | 1 1/8 | 21/16 | 53/64 | 29/64 | 5/8 | 0.168 | 1.36 | 0.48 |
| 28 | QTL35JA28H | JA | 3.550 | 3.349 | B1 | 1 1/4 | 1 1/8 | 1 1/8 | 21/16 | 53/64 | 29/64 | 5/8 | 0.168 | 1.38 | 0.52 |
| 30 | QTL35JA30H | JA | 3.790 | 3.588 | B1 | 1 1/4 | 1 1/8 | 1 1/8 | 21/16 | 53/64 | 29/64 | 5/8 | 0.168 | 1.42 | 0.56 |
| 32 | QTL35JA32H | JA | 4.030 | 3.826 | B1 | 1 1/4 | 1 1/8 | 1 1/8 | 21/16 | 53/64 | 29/64 | 5/8 | 0.168 | 1.46 | 0.78 |
| 35 | QTL35JA35H | JA | 4.390 | 4.183 | B1 | 1 1/4 | 1 1/8 | 1 1/8 | 21/16 | 53/64 | 29/64 | 5/8 | 0.168 | 1.68 | 1.04 |
| 36 | QTL35SH36H | SH | 4.510 | 4.303 | B1 | 1 5/8 | 17/16 | 17/16 | 211/16 | 15/64 | 41/64 | 13/16 | 0.168 | 1.94 | 1.06 |
| 40 | QTL35SH40H | SH | 4.990 | 4.780 | B1 | 1 5/8 | 17/16 | 17/16 | 211/16 | 15/64 | 41/64 | 13/16 | 0.168 | 2.06 | 1.18 |
| 42 | QTL35SH42H | SH | 5.230 | 5.018 | B1 | 1 5/8 | 17/16 | 17/16 | 211/16 | 15/64 | 41/64 | 13/16 | 0.168 | 2.18 | 1.26 |
| 45 | QTL35SH45H | SH | 5.590 | 5.376 | B1 | 1 5/8 | 17/16 | 17/16 | 211/16 | 15/64 | 41/64 | 13/16 | 0.168 | 2.26 | 1.40 |
| 48 | QTL35SH48H | SH | 5.950 | 5.734 | B1 | 1 5/8 | 17/16 | 17/16 | 211/16 | 15/64 | 41/64 | 13/16 | 0.168 | 2.40 | 1.58 |
| 54 | QTL35SH54H | SH | 6.660 | 6.449 | B1 | 1 5/8 | 17/16 | 17/16 | 211/16 | 15/64 | 41/64 | 13/16 | 0.168 | 2.58 | 1.88 |
| 60 | QTL35SH60H | SH | 7.380 | 7.165 | B1 | 1 5/8 | 17/16 | 17/16 | 211/16 | 15/64 | 41/64 | 13/16 | 0.168 | 2.88 | 2.28 |
| 70 | QTL35SH70 | SH | 8.580 | 8.358 | B1 | 1 5/8 | 17/16 | 17/16 | 211/16 | 15/64 | 41/64 | 13/16 | 0.168 | 3.28 | 2.94 |
| 72 | QTL35SH72 | SH | 8.810 | 8.597 | B1 | 1 5/8 | 17/16 | 17/16 | 211/16 | 15/64 | 41/64 | 13/16 | 0.168 | 3.94 | 3.14 |
| 80 | QTL35SH80 | SH | 9.770 | 9.552 | B1 | 1 5/8 | 17/16 | 17/16 | 211/16 | 15/64 | 41/64 | 13/16 | 0.168 | 4.14 | 3.68 |
| 84 | QTL35SH84 | SH | 10.250 | 10.029 | B1 | 1 5/8 | 17/16 | 17/16 | 211/16 | 15/64 | 41/64 | 13/16 | 0.168 | 4.68 | 3.96 |
| 96 | QTL35SH96 | SH | 11.680 | 11.461 | B1 | 1 5/8 | 17/16 | 17/16 | 211/16 | 15/64 | 41/64 | 13/16 | 0.168 | 6.38 | 5.38 |
| 112 | QTL35SH112 | SH | 13.590 | 13.371 | B1 | 1 5/8 | 17/16 | 17/16 | 211/16 | 15/64 | 41/64 | 13/16 | 0.168 | 7.60 | 6.60 |

Taper Bore Sprockets

QTL

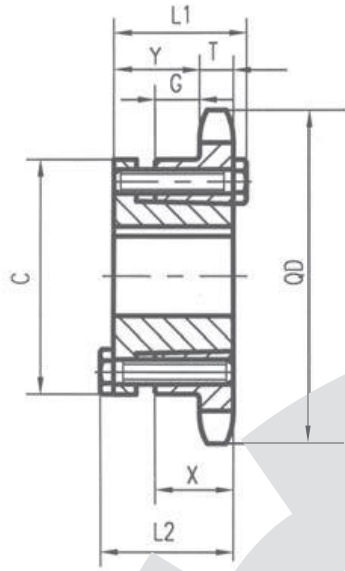


35-2 FOR 3/8" PITCH ANSI CHAIN

| TEETH NO. | CATALOG NUMBER | BUSH | DIAMETERS | | TYPE | MAX. BORE | DIMENSIONS | | | | | | | | WEIGHT (APP.) | |
|-----------|----------------|------|-----------|--------|------|-----------|------------|------|-------|------|-------|------|-------|-------|---------------|----------|
| | | | O.D. | P.D. | | | L1 | L2 | C | Y | P | X | T | W | WITH HUB | RIM ONLY |
| 68 | 2QTL35SDS68 | SDS | 8.340 | 8.120 | C2 | 2 | 11/2 | 11/2 | 33/16 | 9/16 | 3/16 | 3/4 | 0.162 | 0.561 | 8.40 | 7.40 |
| 72 | 2QTL35SDS72 | SDS | 8.810 | 8.597 | C2 | 2 | 11/2 | 11/2 | 33/16 | 9/16 | 3/16 | 3/4 | 0.162 | 0.561 | 9.29 | 8.28 |
| 76 | 2QTL35SDS76 | SDS | 9.290 | 9.074 | C2 | 2 | 11/2 | 11/2 | 33/16 | 9/16 | 3/16 | 3/4 | 0.162 | 0.561 | 10.32 | 9.32 |
| 84 | 2QTL35SK84 | SK | 10.250 | 10.029 | C2 | 25/8 | 21/8 | 21/8 | 37/8 | 5/8 | 11/16 | 11/4 | 0.162 | 0.561 | 13.94 | 11.94 |
| 95 | 2QTL35SK95 | SK | 11.560 | 11.342 | C2 | 25/8 | 21/8 | 21/8 | 37/8 | 5/8 | 11/16 | 11/4 | 0.162 | 0.561 | 17.22 | 15.22 |
| 96 | 2QTL35SK96 | SK | 11.680 | 11.461 | C2 | 25/8 | 21/8 | 21/8 | 37/8 | 5/8 | 11/16 | 11/4 | 0.162 | 0.561 | 17.74 | 15.74 |
| 102 | 2QTL35SK102 | SK | 12.400 | 12.177 | C2 | 25/8 | 21/8 | 21/8 | 37/8 | 5/8 | 11/16 | 11/4 | 0.162 | 0.561 | 19.26 | 17.75 |

35-3 FOR 3/8" PITCH ANSI CHAIN

| TEETH NO. | CATALOG NUMBER | BUSH | DIAMETERS | | TYPE | MAX. BORE | DIMENSIONS | | | | | | | | WEIGHT (APP.) | |
|-----------|----------------|------|-----------|--------|------|-----------|------------|------|------|-----|-------|------|-------|-------|---------------|----------|
| | | | O.D. | P.D. | | | L1 | L2 | C | Y | P | X | T | W | WITH HUB | RIM ONLY |
| 68 | 3QTL35SK68 | SK | 8.340 | 8.120 | C3 | 25/8 | 21/8 | 21/8 | 37/8 | 5/8 | 19/64 | 11/4 | 0.162 | 0.960 | 13.90 | 11.90 |
| 72 | 3QTL35SK72 | SK | 8.810 | 8.597 | C3 | 25/8 | 21/8 | 21/8 | 37/8 | 5/8 | 19/64 | 11/4 | 0.162 | 0.960 | 15.56 | 13.56 |
| 76 | 3QTL35SK76 | SK | 9.290 | 9.074 | C3 | 25/8 | 21/8 | 21/8 | 37/8 | 5/8 | 19/64 | 11/4 | 0.162 | 0.960 | 17.42 | 15.42 |
| 84 | 3QTL35SK84 | SK | 10.250 | 10.029 | C3 | 25/8 | 21/8 | 21/8 | 37/8 | 5/8 | 19/64 | 11/4 | 0.162 | 0.960 | 20.92 | 18.92 |
| 95 | 3QTL35SK95 | SK | 11.560 | 11.342 | C3 | 25/8 | 21/8 | 21/8 | 37/8 | 5/8 | 19/64 | 11/4 | 0.162 | 0.960 | 26.76 | 24.76 |
| 96 | 3QTL35SK96 | SK | 11.680 | 11.461 | C3 | 25/8 | 21/8 | 21/8 | 37/8 | 5/8 | 19/64 | 11/4 | 0.162 | 0.960 | 27.58 | 25.58 |
| 102 | 3QTL35SK102 | SK | 12.400 | 12.177 | C3 | 25/8 | 21/8 | 21/8 | 37/8 | 5/8 | 19/64 | 11/4 | 0.162 | 0.960 | 31.18 | 28.18 |

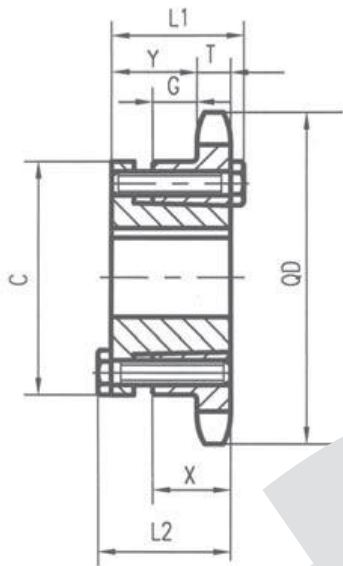


QTL-TYPE B₁



41-1 FOR 1/2" PITCH ANSI CHAIN

| TEETH NO. | CATALOG NUMBER | BUSH | DIAMETERS | | TYPE | MAX. BORE | DIAMETERS | | | | | | WEIGHT (APP.) | | |
|-----------|----------------|------|-----------|--------|----------------|-----------|-----------|--------|---------|---------|---------|-------|---------------|----------|-----------|
| | | | O.D. | P.D. | | | L1 | L2 | C | Y | G | X | T | RIM ONLY | BUSH ONLY |
| 15 | QTL41JA15 | JA | 2.650 | 2.405 | B ₁ | 1 1/4 | 1 1/8 | 1 1/8 | 21/16 | 49/64 | 25/64 | 5/8 | 0.227 | 1.22 | 0.32 |
| 16 | QTL41JA16 | JA | 2.810 | 2.563 | B ₁ | 1 1/4 | 1 1/8 | 1 1/8 | 21/16 | 49/64 | 25/64 | 5/8 | 0.227 | 1.30 | 0.40 |
| 17 | QTL41JA17 | JA | 2.980 | 2.721 | B ₁ | 1 1/4 | 1 1/8 | 1 1/8 | 21/16 | 49/64 | 25/64 | 5/8 | 0.227 | 1.40 | 0.50 |
| 18 | QTL41JA18 | JA | 3.140 | 2.879 | B ₁ | 1 1/4 | 1 1/8 | 1 1/8 | 21/16 | 49/64 | 25/64 | 5/8 | 0.227 | 1.50 | 0.60 |
| 19 | QTL41JA19 | JA | 3.300 | 3.038 | B ₁ | 1 1/4 | 1 1/8 | 1 1/8 | 21/16 | 49/64 | 25/64 | 5/8 | 0.227 | 1.58 | 0.68 |
| 20 | QTL41SH20 | SH | 3.460 | 3.196 | B ₁ | 1 5/8 | 1 7/16 | 1 7/16 | 2 11/16 | 1 1/32 | 37/64 | 13/16 | 0.227 | 1.78 | |
| 21 | QTL41SH21 | SH | 3.620 | 3.355 | B ₁ | 1 5/8 | 1 7/16 | 1 7/16 | 2 11/16 | 1 1/32 | 37/64 | 13/16 | 0.227 | 1.78 | 0.82 |
| 22 | QTL41SH22 | SH | 3.780 | 3.513 | B ₁ | 1 5/8 | 1 7/16 | 1 7/16 | 2 11/16 | 1 1/32 | 37/64 | 13/16 | 0.227 | 1.78 | 1.06 |
| 23 | QTL41SH23 | SH | 3.940 | 3.672 | B ₁ | 1 5/8 | 1 7/16 | 1 7/16 | 2 11/16 | 1 1/32 | 37/64 | 13/16 | 0.227 | 1.78 | 1.14 |
| 24 | QTL41SH24 | SH | 4.100 | 3.831 | B ₁ | 1 5/8 | 1 7/16 | 1 7/16 | 2 11/16 | 1 1/32 | 37/64 | 13/16 | 0.227 | 2.16 | 1.16 |
| 25 | QTL41SH25 | SH | 4.260 | 3.989 | B ₁ | 1 5/8 | 1 7/16 | 1 7/16 | 2 11/16 | 1 1/32 | 37/64 | 13/16 | 0.227 | 2.22 | 1.22 |
| 26 | QTL41SH26 | SH | 4.420 | 4.148 | B ₁ | 1 5/8 | 1 7/16 | 1 7/16 | 2 11/16 | 1 1/32 | 37/64 | 13/16 | 0.227 | 2.26 | 1.26 |
| 27 | QTL41SH27 | SH | 4.580 | 4.307 | B ₁ | 1 5/8 | 1 7/16 | 1 7/16 | 2 11/16 | 1 1/32 | 37/64 | 13/16 | 0.227 | 2.40 | 1.40 |
| 28 | QTL41SH28 | SH | 4.740 | 4.466 | B ₁ | 1 5/8 | 1 7/16 | 1 7/16 | 2 11/16 | 1 1/32 | 37/64 | 13/16 | 0.227 | 2.54 | 1.54 |
| 30 | QTL41SH30 | SH | 5.060 | 4.783 | B ₁ | 1 5/8 | 1 7/16 | 1 7/16 | 2 11/16 | 1 1/32 | 37/64 | 13/16 | 0.227 | 2.58 | 1.58 |
| 32 | QTL41SH32 | SH | 5.380 | 5.101 | B ₁ | 1 5/8 | 1 7/16 | 1 7/16 | 2 11/16 | 1 1/32 | 37/64 | 13/16 | 0.227 | 2.68 | 1.68 |
| 35 | QTL41SH35 | SH | 5.860 | 5.578 | B ₁ | 1 5/8 | 1 7/16 | 1 7/16 | 2 11/16 | 1 1/32 | 37/64 | 13/16 | 0.227 | 3.46 | 2.47 |
| 36 | QTL41SDS36 | SDS | 6.020 | 5.737 | B ₁ | 2 | 1 1/2 | 1 1/2 | 3 3/16 | 1 3/32 | 17/32 | 3/4 | 0.227 | 2.92 | 1.92 |
| 40 | QTL41SDS40 | SDS | 6.650 | 6.373 | B ₁ | 2 | 1 1/2 | 1 1/2 | 3 3/16 | 1 3/32 | 17/32 | 3/4 | 0.227 | 3.32 | 2.32 |
| 42 | QTL41SDS42 | SDS | 6.970 | 6.691 | B ₁ | 2 | 1 1/2 | 1 1/2 | 3 3/16 | 1 3/32 | 17/32 | 3/4 | 0.227 | 3.44 | 2.44 |
| 45 | QTL41SDS45 | SDS | 7.450 | 7.168 | B ₁ | 2 | 1 1/2 | 1 1/2 | 3 3/16 | 1 3/32 | 17/32 | 3/4 | 0.227 | 3.76 | 2.76 |
| 48 | QTL41SDS48 | SDS | 7.930 | 7.645 | B ₁ | 2 | 1 1/2 | 1 1/2 | 3 3/16 | 1 3/32 | 17/32 | 3/4 | 0.227 | 4.36 | 3.36 |
| 54 | QTL41SDS54 | SDS | 8.890 | 8.599 | B ₁ | 2 | 1 1/2 | 1 1/2 | 3 3/16 | 1 3/32 | 17/32 | 3/4 | 0.227 | 4.98 | 3.98 |
| 60 | QTL41SDS60 | SDS | 9.840 | 9.554 | B ₁ | 2 | 1 1/2 | 1 1/2 | 3 3/16 | 1 3/32 | 17/32 | 3/4 | 0.227 | 6.54 | 5.54 |
| 70 | QTL41SK70 | SK | 11.430 | 11.145 | B ₁ | 2 5/8 | 2 1/8 | 2 1/8 | 3 7/8 | 1 41/64 | 1 11/32 | 1 1/4 | 0.227 | 9.42 | 7.42 |
| 72 | QTL41SK72 | SK | 11.750 | 11.463 | B ₁ | 2 5/8 | 2 1/8 | 2 1/8 | 3 7/8 | 1 41/64 | 1 11/32 | 1 1/4 | 0.227 | 10.02 | 8.02 |
| 80 | QTL41SK80 | SK | 13.030 | 12.736 | B ₁ | 2 5/8 | 2 1/8 | 2 1/8 | 3 7/8 | 1 41/64 | 1 11/32 | 1 1/4 | 0.227 | 11.64 | 9.64 |
| 84 | QTL41SK84 | SK | 13.660 | 13.372 | B ₁ | 2 5/8 | 2 1/8 | 2 1/8 | 3 7/8 | 1 41/64 | 1 11/32 | 1 1/4 | 0.227 | 12.40 | 10.40 |
| 96 | QTL41SK96 | SK | 15.570 | 15.281 | B ₁ | 2 5/8 | 2 1/8 | 2 1/8 | 3 7/8 | 1 41/64 | 1 11/32 | 1 1/4 | 0.227 | 14.82 | 12.82 |
| 112 | QTL41SK112 | SK | 18.120 | 17.828 | B ₁ | 2 5/8 | 2 1/8 | 2 1/8 | 3 7/8 | 1 41/64 | 1 11/32 | 1 1/4 | 0.227 | 19.28 | 17.28 |



QTL-TYPE B1

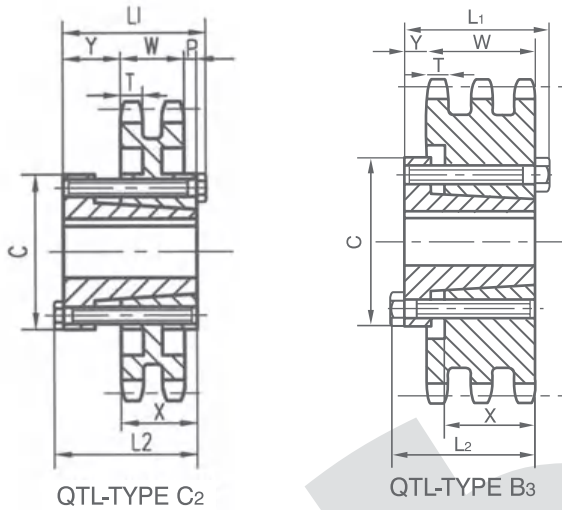


40-1 FOR 1/2" PITCH ANSI CHAIN

| TEETH NO. | CATALOG NUMBER | BUSH | DIAMETERS | | TYPE | MAX. BORE | DIAMETERS | | | | | | WEIGHT (APP.) | | |
|-----------|----------------|------|-----------|--------|------|-----------|-----------|-------|--------|--------|-------|-------|---------------|----------|-----------|
| | | | O.D. | P.D. | | | L1 | L2 | C | Y | G | X | T | RIM ONLY | BUSH ONLY |
| 15 | QTL40JA15H | JA | 2.650 | 2.405 | B1 | 11/4 | 11/8 | 11/8 | 21/16 | 23/32 | 11/32 | 5/8 | 0.284 | 1.24 | 0.34 |
| 16 | QTL40JA16H | JA | 2.810 | 2.563 | B1 | 11/4 | 11/8 | 11/8 | 21/16 | 23/32 | 11/32 | 5/8 | 0.284 | 1.30 | 0.40 |
| 17 | QTL40JA17H | JA | 2.980 | 2.721 | B1 | 11/4 | 11/8 | 11/8 | 21/16 | 23/32 | 11/32 | 5/8 | 0.284 | 1.38 | 0.48 |
| 18 | QTL40JA18H | JA | 3.140 | 2.879 | B1 | 11/4 | 11/8 | 11/8 | 21/16 | 23/32 | 11/32 | 5/8 | 0.284 | 1.44 | 0.54 |
| 19 | QTL40JA19H | JA | 3.300 | 3.038 | B1 | 11/4 | 11/8 | 11/8 | 21/16 | 23/32 | 11/32 | 5/8 | 0.284 | 1.50 | 0.60 |
| 20 | QTL40SH20H | SH | 3.460 | 3.196 | B1 | 15/8 | 17/16 | 17/16 | 211/16 | 31/32 | 17/32 | 13/16 | 0.284 | 1.76 | 0.76 |
| 21 | QTL40SH21H | SH | 3.620 | 3.355 | B1 | 15/8 | 17/16 | 17/16 | 211/16 | 31/32 | 17/32 | 13/16 | 0.284 | 1.84 | 0.84 |
| 22 | QTL40SH22H | SH | 3.780 | 3.513 | B1 | 15/8 | 17/16 | 17/16 | 211/16 | 31/32 | 17/32 | 13/16 | 0.284 | 1.92 | 0.92 |
| 23 | QTL40SH23H | SH | 3.940 | 3.672 | B1 | 15/8 | 17/16 | 17/16 | 211/16 | 31/32 | 17/32 | 13/16 | 0.284 | 2.14 | 1.14 |
| 24 | QTL40SH24H | SH | 4.100 | 3.831 | B1 | 15/8 | 17/16 | 17/16 | 211/16 | 31/32 | 17/32 | 13/16 | 0.284 | 2.22 | 1.22 |
| 25 | QTL40SH25H | SH | 4.260 | 3.989 | B1 | 15/8 | 17/16 | 17/16 | 211/16 | 31/32 | 17/32 | 13/16 | 0.284 | 2.30 | 1.30 |
| 26 | QTL40SH26H | SH | 4.420 | 4.148 | B1 | 15/8 | 17/16 | 17/16 | 211/16 | 31/32 | 17/32 | 13/16 | 0.284 | 2.44 | 1.44 |
| 27 | QTL40SH27H | SH | 4.580 | 4.307 | B1 | 15/8 | 17/16 | 17/16 | 211/16 | 31/32 | 17/32 | 13/16 | 0.284 | 2.46 | 1.46 |
| 28 | QTL40SH28H | SH | 4.740 | 4.466 | B1 | 15/8 | 17/16 | 17/16 | 211/16 | 31/32 | 17/32 | 13/16 | 0.284 | 2.54 | 1.54 |
| 30 | QTL40SH30H | SH | 5.060 | 4.783 | B1 | 15/8 | 17/16 | 17/16 | 211/16 | 31/32 | 17/32 | 13/16 | 0.284 | 2.72 | 1.72 |
| 32 | QTL40SH32H | SH | 5.380 | 5.101 | B1 | 15/8 | 17/16 | 17/16 | 211/16 | 31/32 | 17/32 | 13/16 | 0.284 | 2.9 | 1.90 |
| 35 | QTL40SH35H | SH | 5.860 | 5.578 | B1 | 15/8 | 17/16 | 17/16 | 211/16 | 31/32 | 17/32 | 13/16 | 0.284 | 3.22 | 2.22 |
| 36 | QTL40SDS36H | SDS | 6.020 | 5.737 | B1 | 2 | 11/2 | 11/2 | 33/16 | 11/32 | 15/32 | 3/4 | 0.284 | 3.20 | 2.20 |
| 40 | QTL40SDS40H | SDS | 6.650 | 6.373 | B1 | 2 | 11/2 | 11/2 | 33/16 | 11/32 | 15/32 | 3/4 | 0.284 | 3.72 | 2.72 |
| 42 | QTL40SDS42H | SDS | 6.970 | 6.691 | B1 | 2 | 11/2 | 11/2 | 33/16 | 11/32 | 15/32 | 3/4 | 0.284 | 3.92 | 2.92 |
| 45 | QTL40SDS45H | SDS | 7.450 | 7.168 | B1 | 2 | 11/2 | 11/2 | 33/16 | 11/32 | 15/32 | 3/4 | 0.284 | 4.32 | 3.32 |
| 48 | QTL40SDS48H | SDS | 7.930 | 7.645 | B1 | 2 | 11/2 | 11/2 | 33/16 | 11/32 | 15/32 | 3/4 | 0.284 | 4.70 | 3.70 |
| 54 | QTL40SDS54 | SDS | 8.890 | 8.599 | B1 | 2 | 11/2 | 11/2 | 33/16 | 11/32 | 15/32 | 3/4 | 0.284 | 5.78 | 4.78 |
| 60 | QTL40SDS60 | SDS | 9.840 | 9.554 | B1 | 2 | 11/2 | 11/2 | 33/16 | 11/32 | 15/32 | 3/4 | 0.284 | 6.86 | 5.86 |
| 70 | QTL40SK70 | SK | 11.430 | 11.145 | B1 | 25/8 | 21/8 | 21/8 | 37/8 | 119/32 | 31/32 | 11/4 | 0.284 | 10.68 | 8.68 |
| 72 | QTL40SK72 | SK | 11.750 | 11.463 | B1 | 25/8 | 21/8 | 21/8 | 37/8 | 119/32 | 31/32 | 11/4 | 0.284 | 10.84 | 8.84 |
| 80 | QTL40SK80 | SK | 13.030 | 12.736 | B1 | 25/8 | 21/8 | 21/8 | 37/8 | 119/32 | 31/32 | 11/4 | 0.284 | 13.20 | 11.20 |
| 84 | QTL40SK84 | SK | 13.660 | 13.372 | B1 | 25/8 | 21/8 | 21/8 | 37/8 | 119/32 | 31/32 | 11/4 | 0.284 | 13.56 | 11.56 |
| 96 | QTL40SK96 | SK | 15.570 | 15.281 | B1 | 25/8 | 21/8 | 21/8 | 37/8 | 119/32 | 31/32 | 11/4 | 0.284 | 17.76 | 15.76 |
| 112 | QTL40SK112 | SK | 18.120 | 17.828 | B1 | 25/8 | 21/8 | 21/8 | 37/8 | 119/32 | 31/32 | 11/4 | 0.284 | 22.28 | 20.28 |

**T_{aper}
B_{ore}** Sprockets

QTL

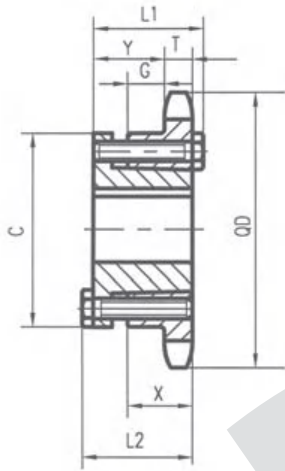


40-2 FOR 1/2" PITCH ANSI CHAIN

| TEETH NO. | CATALOG NUMBER | BUSH | DIAMETERS | | TYPE | MAX. BORE | DIMENSIONS | | | | | | | WEIGHT (APP.) | | |
|-----------|----------------|------|-----------|--------|------|-----------|------------|-------|-------|-----|-------|-------|-------|---------------|----------|----------|
| | | | O.D. | P.D. | | | L1 | L2 | C | Y | P | X | T | W | WITH HUB | RIM ONLY |
| 36 | 2QTL40SK36H | SK | 6.020 | 5.737 | C2 | 25/8 | 2 1/8 | 2 1/8 | 3 7/8 | 5/8 | 13/32 | 1 1/4 | 0.275 | 0.841 | 6.68 | 4.38 |
| 40 | 2QTL40SK40H | SK | 6.650 | 6.373 | C2 | 25/8 | 2 1/8 | 2 1/8 | 3 7/8 | 5/8 | 13/32 | 1 1/4 | 0.275 | 0.841 | 8.02 | 6.02 |
| 42 | 2QTL40SK42H | SK | 6.970 | 6.691 | C2 | 25/8 | 2 1/8 | 2 1/8 | 3 7/8 | 5/8 | 13/32 | 1 1/4 | 0.275 | 0.841 | 8.82 | 6.82 |
| 45 | 2QTL40SK45H | SK | 7.450 | 7.168 | C2 | 25/8 | 2 1/8 | 2 1/8 | 3 7/8 | 5/8 | 13/32 | 1 1/4 | 0.275 | 0.841 | 9.98 | 7.98 |
| 48 | 2QTL40SK48H | SK | 7.930 | 7.645 | C2 | 25/8 | 2 1/8 | 2 1/8 | 3 7/8 | 5/8 | 13/32 | 1 1/4 | 0.275 | 0.841 | 11.22 | 9.22 |
| 52 | 2QTL40SK52 | SK | 8.570 | 8.281 | C2 | 25/8 | 2 1/8 | 2 1/8 | 3 7/8 | 5/8 | 13/32 | 1 1/4 | 0.275 | 0.841 | 13.04 | 11.4 |
| 54 | 2QTL40SK54 | SK | 8.890 | 8.599 | C2 | 25/8 | 2 1/8 | 2 1/8 | 3 7/8 | 5/8 | 13/32 | 1 1/4 | 0.275 | 0.841 | 14.06 | 12.06 |
| 60 | 2QTL40SK60 | SK | 9.840 | 9.554 | C2 | 25/8 | 2 1/8 | 2 1/8 | 3 7/8 | 5/8 | 13/32 | 1 1/4 | 0.275 | 0.841 | 15.98 | 14.98 |
| 68 | 2QTL40SF68 | SF | 11.120 | 10.826 | C2 | 2 15/16 | 2 1/4 | 2 1/4 | 4 5/8 | 3/4 | 13/32 | 1 1/4 | 0.275 | 0.841 | 22.72 | 19.72 |
| 72 | 2QTL40SF72 | SF | 11.750 | 11.463 | C2 | 2 15/16 | 2 1/4 | 2 1/4 | 4 5/8 | 3/4 | 13/32 | 1 1/4 | 0.275 | 0.841 | 24.20 | 22.20 |
| 76 | 2QTL40SF76 | SF | 12.390 | 12.099 | C2 | 2 15/16 | 2 1/4 | 2 1/4 | 4 5/8 | 3/4 | 13/32 | 1 1/4 | 0.275 | 0.841 | 28.20 | 25.20 |
| 84 | 2QTL40SF84 | SF | 13.660 | 13.372 | C2 | 2 15/16 | 2 1/4 | 2 1/4 | 4 5/8 | 3/4 | 13/32 | 1 1/4 | 0.275 | 0.841 | 33.64 | 30.64 |
| 95 | 2QTL40SF95 | SF | 15.410 | 15.122 | C2 | 2 15/16 | 2 1/4 | 2 1/4 | 4 5/8 | 3/4 | 13/32 | 1 1/4 | 0.275 | 0.841 | 40.22 | 37.22 |
| 102 | 2QTL40SF102 | SF | 16.530 | 16.236 | C2 | 2 15/16 | 2 1/4 | 2 1/4 | 4 5/8 | 3/4 | 13/32 | 1 1/4 | 0.275 | 0.841 | 42.77 | 39.70 |
| 112 | 2QTL40SF112 | SF | 18.120 | 17.828 | C2 | 2 15/16 | 2 1/4 | 2 1/4 | 4 5/8 | 3/4 | 13/32 | 1 1/4 | 0.275 | 0.841 | 52.60 | 49.60 |

40-3 FOR 1/2" PITCH ANSI CHAIN

| TEETH NO. | CATALOG NUMBER | BUSH | DIAMETERS | | TYPE | MAX. BORE | DIMENSIONS | | | | | | | WEIGHT (APP.) | |
|-----------|----------------|------|-----------|--------|------|-----------|------------|-------|-------|-------|-------|-------|-------|---------------|----------|
| | | | O.D. | P.D. | | | L1 | L2 | C | Y | X | T | W | WITH HUB | RIM ONLY |
| 36 | 3QTL40SK36H | SK | 6.02 | 5.737 | B3 | 25/8 | 2 1/8 | 2 1/8 | 3 7/8 | 15/32 | 1 1/4 | 0.275 | 1.407 | 8.16 | 6.15 |
| 42 | 3QTL40SK42H | SK | 6.97 | 6.691 | B3 | 25/8 | 2 1/8 | 2 1/8 | 3 7/8 | 15/32 | 1 1/4 | 0.275 | 1.407 | 11.92 | 9.52 |
| 48 | 3QTL40SK48H | SK | 7.93 | 7.645 | B3 | 25/8 | 2 1/8 | 2 1/8 | 3 7/8 | 15/32 | 1 1/4 | 0.275 | 1.407 | 5.13 | 13.15 |
| 52 | 3QTL40SK52 | SK | 8.57 | 8.281 | B3 | 25/8 | 2 1/8 | 2 1/8 | 3 7/8 | 15/32 | 1 1/4 | 0.275 | 1.407 | 18.08 | 16.05 |
| 60 | 3QTL40SK60 | SK | 9.84 | 9.554 | B3 | 25/8 | 2 1/8 | 2 1/8 | 3 7/8 | 15/32 | 1 1/4 | 0.275 | 1.407 | 24.60 | 22.60 |
| 68 | 3QTL40SF68 | SF | 11.12 | 10.826 | B3 | 2 15/16 | 2 1/4 | 2 1/4 | 4 5/8 | 19/32 | 1 1/4 | 0.275 | 1.407 | 31.98 | 29.98 |
| 72 | 3QTL40SF72 | SF | 11.75 | 11.463 | B3 | 2 15/16 | 2 1/4 | 2 1/4 | 4 5/8 | 19/32 | 1 1/4 | 0.275 | 1.407 | 37.40 | 34.40 |
| 76 | 3QTL40SF76 | SF | 12.39 | 12.099 | B3 | 2 15/16 | 2 1/4 | 2 1/4 | 4 5/8 | 19/32 | 1 1/4 | 0.275 | 1.407 | 51.92 | 48.92 |
| 84 | 3QTL40SF84 | SF | 13.66 | 13.372 | B3 | 2 15/16 | 2 1/4 | 2 1/4 | 4 5/8 | 19/32 | 1 1/4 | 0.275 | 1.407 | 56.70 | 53.78 |
| 95 | 3QTL40SF95 | SF | 15.41 | 15.122 | B3 | 2 15/16 | 2 1/4 | 2 1/4 | 4 5/8 | 19/32 | 1 1/4 | 0.275 | 1.407 | 58.94 | 55.54 |
| 102 | 3QTL40SF102 | SF | 16.53 | 16.236 | B3 | 2 15/16 | 2 1/4 | 2 1/4 | 4 5/8 | 19/32 | 1 1/4 | 0.275 | 1.407 | 62.24 | 59.24 |



QTL-TYPE B1

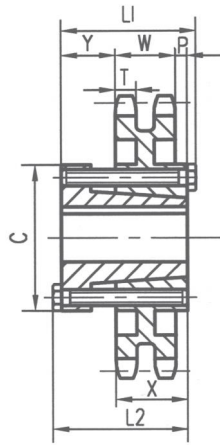


50-1 FOR 5/8" PITCH ANSI CHAIN

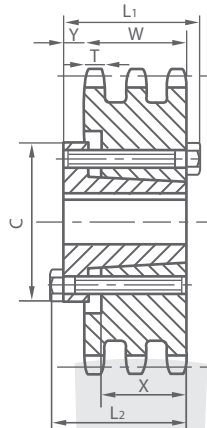
| TEETH NO. | CATALOG NUMBER | BUSH | DIAMETERS | | TYPE | MAX. BORE | DIMENSIONS | | | | | | | WEIGHT (APP.) | |
|-----------|----------------|------|-----------|--------|------|-----------|------------|--------|---------|---------|-------|-------|-------|---------------|----------|
| | | | O.D. | P.D. | | | L1 | L2 | C | Y | G | X | T | WITH HUB | RIM ONLY |
| 12 | QTL50JA12H | JA | 2.710 | 2.415 | B1 | 1 1/4 | 1 1/8 | 1 1/8 | 21/16 | 21/32 | 9/32 | 5/8 | 0.343 | 1.24 | 0.34 |
| 13 | QTL50JA13H | JA | 2.910 | 2.612 | B1 | 1 1/4 | 1 1/8 | 1 1/8 | 21/16 | 21/32 | 9/32 | 5/8 | 0.343 | 1.30 | 0.40 |
| 14 | QTL50JA14H | JA | 3.110 | 2.803 | B1 | 1 1/4 | 1 1/8 | 1 1/8 | 21/16 | 21/32 | 9/32 | 5/8 | 0.343 | 1.45 | 0.52 |
| 15 | QTL50JA15H | JA | 3.320 | 3.006 | B1 | 1 1/4 | 1 1/8 | 1 1/8 | 21/16 | 21/32 | 9/32 | 5/8 | 0.343 | 1.50 | 0.60 |
| 16 | QTL50JA16H | JA | 3.520 | 3.204 | B1 | 1 1/4 | 1 1/8 | 1 1/8 | 21/16 | 21/32 | 9/32 | 5/8 | 0.343 | 1.58 | 0.68 |
| 17 | QTL50SH17H | SH | 3.720 | 3.401 | B1 | 1 5/8 | 1 7/16 | 1 7/16 | 2 11/16 | 29/32 | 15/32 | 13/16 | 0.343 | 1.84 | 0.84 |
| 18 | QTL50SH18H | SH | 3.920 | 3.599 | B1 | 1 5/8 | 1 7/16 | 1 7/16 | 2 11/16 | 29/32 | 15/32 | 13/16 | 0.343 | 2.04 | 1.04 |
| 19 | QTL50SH19H | SH | 4.120 | 3.797 | B1 | 1 5/8 | 1 7/16 | 1 7/16 | 2 11/16 | 29/32 | 15/32 | 13/16 | 0.343 | 2.24 | 1.24 |
| 20 | QTL50SDS20H | SDS | 4.320 | 3.995 | B1 | 2 | 1 1/2 | 1 1/2 | 3 3/16 | 31/32 | 13/32 | 3/4 | 0.343 | 2.20 | 1.20 |
| 21 | QTL50SDS21H | SDS | 4.520 | 4.194 | B1 | 2 | 1 1/2 | 1 1/2 | 3 3/16 | 31/32 | 13/32 | 3/4 | 0.343 | 2.32 | 1.32 |
| 22 | QTL50SDS22H | SDS | 4.720 | 4.392 | B1 | 2 | 1 1/2 | 1 1/2 | 3 3/16 | 31/32 | 13/32 | 3/4 | 0.343 | 2.48 | 1.42 |
| 23 | QTL50SDS23H | SDS | 4.920 | 4.590 | B1 | 2 | 1 1/2 | 1 1/2 | 3 3/16 | 31/32 | 13/32 | 3/4 | 0.343 | 2.58 | 1.58 |
| 24 | QTL50SDS24H | SDS | 5.120 | 4.788 | B1 | 2 | 1 1/2 | 1 1/2 | 3 3/16 | 31/32 | 13/32 | 3/4 | 0.343 | 2.70 | 1.70 |
| 25 | QTL50SDS25H | SDS | 5.320 | 4.987 | B1 | 2 | 1 1/2 | 1 1/2 | 3 3/16 | 31/32 | 13/32 | 3/4 | 0.343 | 2.86 | 1.86 |
| 26 | QTL50SDS26H | SDS | 5.520 | 5.185 | B1 | 2 | 1 1/2 | 1 1/2 | 3 3/16 | 31/32 | 13/32 | 3/4 | 0.343 | 3.00 | 2.00 |
| 27 | QTL50SDS27H | SDS | 5.720 | 5.384 | B1 | 2 | 1 1/2 | 1 1/2 | 3 3/16 | 31/32 | 13/32 | 3/4 | 0.343 | 3.12 | 2.12 |
| 28 | QTL50SDS28H | SDS | 5.920 | 5.582 | B1 | 2 | 1 1/2 | 1 1/2 | 3 3/16 | 31/32 | 13/32 | 3/4 | 0.343 | 3.32 | 2.32 |
| 30 | QTL50SDS30H | SDS | 6.320 | 5.979 | B1 | 2 | 1 1/2 | 1 1/2 | 3 3/16 | 31/32 | 13/32 | 3/4 | 0.343 | 3.64 | 2.64 |
| 32 | QTL50SDS32H | SDS | 6.720 | 6.376 | B1 | 2 | 1 1/2 | 1 1/2 | 3 3/16 | 31/32 | 13/32 | 3/4 | 0.343 | 3.98 | 2.98 |
| 35 | QTL50SDS35H | SDS | 7.320 | 6.972 | B1 | 2 | 1 1/2 | 1 1/2 | 3 3/16 | 31/32 | 13/32 | 3/4 | 0.343 | 4.62 | 3.62 |
| 36 | QTL50SDS36H | SDS | 7.520 | 7.171 | B1 | 2 | 1 1/2 | 1 1/2 | 3 3/16 | 31/32 | 13/32 | 3/4 | 0.343 | 4.64 | 3.64 |
| 40 | QTL50SDS40H | SDS | 8.320 | 7.966 | B1 | 2 | 1 1/2 | 1 1/2 | 3 3/16 | 31/32 | 13/32 | 3/4 | 0.343 | 5.74 | 4.74 |
| 42 | QTL50SDS42 | SDS | 8.720 | 8.363 | B1 | 2 | 1 1/2 | 1 1/2 | 3 3/16 | 31/32 | 13/32 | 3/4 | 0.343 | 6.40 | 5.40 |
| 45 | QTL50SDS45 | SDS | 9.310 | 8.960 | B1 | 2 | 1 1/2 | 1 1/2 | 3 3/16 | 31/32 | 13/32 | 3/4 | 0.343 | 6.90 | 5.90 |
| 48 | QTL50SDS48 | SDS | 9.910 | 9.556 | B1 | 2 | 1 1/2 | 1 1/2 | 3 3/16 | 31/32 | 13/32 | 3/4 | 0.343 | 7.66 | 6.66 |
| 54 | QTL50SK54 | SK | 11.110 | 10.749 | B1 | 2 5/8 | 2 1/8 | 2 1/8 | 3 7/8 | 1 17/32 | 29/32 | 1 1/4 | 0.343 | 11.68 | 9.68 |
| 60 | QTL50SK60 | SK | 12.300 | 11.942 | B1 | 2 5/8 | 2 1/8 | 2 1/8 | 3 7/8 | 1 17/32 | 29/32 | 1 1/4 | 0.343 | 13.88 | 11.88 |
| 70 | QTL50SK70 | SK | 14.290 | 13.931 | B1 | 2 5/8 | 2 1/8 | 2 1/8 | 3 7/8 | 1 17/32 | 29/32 | 1 1/4 | 0.343 | 17.52 | 14.52 |
| 72 | QTL50SK72 | SK | 14.690 | 14.329 | B1 | 2 5/8 | 2 1/8 | 2 1/8 | 3 7/8 | 1 17/32 | 29/32 | 1 1/4 | 0.343 | 18.44 | 16.44 |
| 80 | QTL50SF80 | SF | 16.280 | 15.920 | B1 | 2 15/16 | 2 1/4 | 2 1/4 | 4 5/8 | 1 21/32 | 29/32 | 1 1/4 | 0.343 | 22.90 | 19.90 |
| 84 | QTL50SF84 | SF | 17.080 | 16.715 | B1 | 2 15/16 | 2 1/4 | 2 1/4 | 4 5/8 | 1 21/32 | 29/32 | 1 1/4 | 0.343 | 25.98 | 22.98 |
| 96 | QTL50SF96 | SF | 19.470 | 19.102 | B1 | 2 15/16 | 2 1/4 | 2 1/4 | 4 5/8 | 1 21/32 | 29/32 | 1 1/4 | 0.343 | 32.88 | 29.88 |
| 112 | QTL50SF112 | SF | 22.650 | 22.285 | B1 | 2 15/16 | 2 1/4 | 2 1/4 | 4 5/8 | 1 21/32 | 29/32 | 1 1/4 | 0.343 | 43.10 | 40.10 |

**T_{aper}
B_{ore}** Sprockets

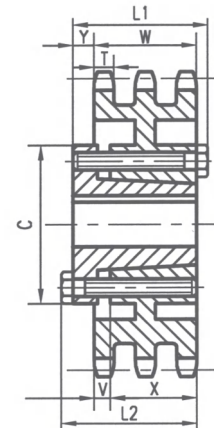
QTL



QTL-TYPE C2



QTL-TYPE B3



QTL-TYPE 1B3

50-2 FOR 5/8" PITCH ANSI CHAIN

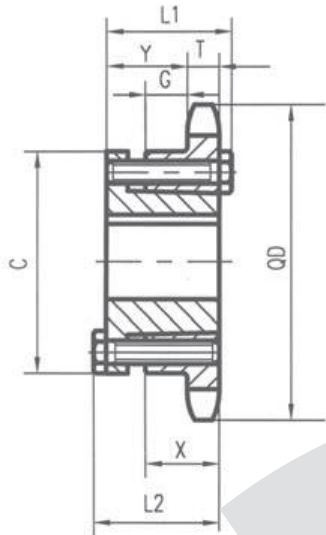
| TEETH NO. | CATALOG NUMBER | BUSH | DIAMETERS | | TYPE | MAX. BORE | DIMENSIONS | | | | | | | WEIGHT (APP.) | | |
|-----------|----------------|------|-----------|--------|------|-----------|------------|-------|-------|------------|-------|-------|-------|---------------|-------|-------|
| | | | O.D. | P.D. | | | L1 | L2 | C | WITH HUB P | X | T | W | RIM ONLY | | |
| 36 | 2QTL50SK36H | SK | 7.520 | 7.171 | C2 | 25/8 | 2 1/8 | 2 1/8 | 3 7/8 | 5/8 | 13/64 | 1 1/4 | 0.332 | 1.045 | 11.08 | 9.08 |
| 42 | 2QTL50SK42 | SK | 8.720 | 8.363 | C2 | 25/8 | 2 1/8 | 2 1/8 | 3 7/8 | 5/8 | 13/64 | 1 1/4 | 0.332 | 1.045 | 15.16 | 13.16 |
| 48 | 2QTL50SK48 | SK | 9.910 | 9.556 | C2 | 25/8 | 2 1/8 | 2 1/8 | 3 7/8 | 5/8 | 13/64 | 1 1/4 | 0.332 | 1.045 | 19.90 | 17.90 |
| 52 | 2QTL50SF52 | SF | 10.710 | 10.351 | C2 | 215/16 | 2 1/4 | 2 1/4 | 4 5/8 | 3/4 | 13/64 | 1 1/4 | 0.332 | 1.045 | 24.26 | 21.26 |
| 54 | 2QTL50SF54 | SF | 11.110 | 10.749 | C2 | 215/16 | 2 1/4 | 2 1/4 | 4 5/8 | 3/4 | 13/64 | 1 1/4 | 0.332 | 1.045 | 26.18 | 23.18 |
| 60 | 2QTL50SF60 | SF | 12.300 | 11.942 | C2 | 215/16 | 2 1/4 | 2 1/4 | 4 5/8 | 3/4 | 13/64 | 1 1/4 | 0.332 | 1.045 | 32.12 | 29.12 |
| 68 | 2QTL50SF68 | SF | 13.890 | 13.533 | C2 | 215/16 | 2 1/4 | 2 1/4 | 4 5/8 | 3/4 | 13/64 | 1 1/4 | 0.332 | 1.045 | 41.16 | 38.16 |
| 72 | 2QTL50SF72 | SF | 14.690 | 14.329 | C2 | 215/16 | 2 1/4 | 2 1/4 | 4 5/8 | 3/4 | 13/64 | 1 1/4 | 0.332 | 1.045 | 46.28 | 43.26 |
| 76 | 2QTL50SF76 | SF | 15.490 | 15.124 | C2 | 215/16 | 2 1/4 | 2 1/4 | 4 5/8 | 3/4 | 13/64 | 1 1/4 | 0.332 | 1.045 | 47.00 | 44.00 |
| 84 | 2QTL50SF84 | SF | 17.080 | 16.715 | C2 | 215/16 | 2 1/4 | 2 1/4 | 4 5/8 | 3/4 | 13/64 | 1 1/4 | 0.332 | 1.045 | 48.89 | 45.88 |
| 95 | 2QTL50SF95 | SF | 19.270 | 18.903 | C2 | 215/16 | 2 1/4 | 2 1/4 | 4 5/8 | 3/4 | 13/64 | 1 1/4 | 0.332 | 1.045 | 61.80 | 58.88 |
| 102 | 2QTL50SF102 | SF | 20.660 | 20.295 | C2 | 215/16 | 2 1/4 | 2 1/4 | 4 5/8 | 3/4 | 13/64 | 1 1/4 | 0.332 | 1.045 | 69.02 | 66.02 |
| 112 | 2QTL50SF112 | SF | 22.650 | 22.285 | C2 | 215/16 | 2 1/4 | 2 1/4 | 4 5/8 | 3/4 | 13/64 | 1 1/4 | 0.332 | 1.045 | 88.26 | 85.26 |

50-3 FOR 5/8" PITCH ANSI CHAIN

| TEETH NO. | CATALOG NUMBER | BUSH | DIAMETERS | | TYPE | MAX. BORE | DIMENSIONS | | | | | | | WEIGHT (APP.) | | |
|-----------|----------------|------|-----------|--------|------|-----------|------------|-------|-------|---------|-----|-------|-------|---------------|----------|------|
| | | | O.D. | P.D. | | | L1 | L2 | C | Y HUB V | X | T | W | WITH ONLY | RIM ONLY | |
| 36 | 3QTL50SK36H | SK | 7.520 | 7.171 | B3 | 25/8 | 2 1/8 | 2 1/8 | 3 7/8 | 1/8 | | 1 1/4 | 0.332 | 1.758 | 14.8 | 12.8 |
| 42 | 3QTL50SK42 | SK | 8.720 | 8.363 | B3 | 25/8 | 2 1/8 | 2 1/8 | 3 7/8 | 1/8 | | 1 1/4 | 0.332 | 1.758 | 21.5 | 19.5 |
| 48 | 3QTL50SK48 | SK | 9.910 | 9.556 | B3 | 25/8 | 2 1/8 | 2 1/8 | 3 7/8 | 1/8 | | 1 1/4 | 0.332 | 1.758 | 29.6 | 27.6 |
| 52 | 3QTL50SF52 | SF | 10.710 | 10.351 | B3 | 215/16 | 2 1/4 | 2 1/4 | 4 5/8 | 1/4 | | 1 1/4 | 0.332 | 1.758 | 31.6 | 28.6 |
| 60 | 3QTL50SF60 | SF | 12.300 | 11.942 | B3 | 215/16 | 2 1/4 | 2 1/4 | 4 5/8 | 1/4 | | 1 1/4 | 0.332 | 1.758 | 42.1 | 39.1 |
| 68 | 3QTL50SF68 | SF | 13.890 | 13.533 | B3 | 215/16 | 2 1/4 | 2 1/4 | 4 5/8 | 1/4 | | 1 1/4 | 0.332 | 1.758 | 53.8 | 50.8 |
| 72 | 3QTL50SF72 | SF | 14.690 | 14.329 | 1B3 | 215/16 | 2 1/4 | 2 1/4 | 4 5/8 | 1/4 | 1/2 | 1 1/4 | 0.332 | 1.758 | 46.6 | 43.6 |
| 76 | 3QTL50SF76 | SF | 15.490 | 15.124 | 1B3 | 215/16 | 2 1/4 | 2 1/4 | 4 5/8 | 1/4 | 1/2 | 1 1/4 | 0.332 | 1.758 | 49.9 | 46.9 |
| 84 | 3QTL50SF84 | SF | 17.080 | 16.715 | 1B3 | 215/16 | 2 1/4 | 2 1/4 | 4 5/8 | 1/4 | 1/2 | 1 1/4 | 0.332 | 1.758 | 53.9 | 50.9 |
| 95 | 3QTL50SF95 | SF | 19.270 | 18.903 | 1B3 | 215/16 | 2 1/4 | 2 1/4 | 4 5/8 | 1/4 | 1/2 | 1 1/4 | 0.332 | 1.758 | 62.3 | 59.3 |
| 102 | 3QTL50SF102 | SF | 20.660 | 20.295 | 1B3 | 215/16 | 2 1/4 | 2 1/4 | 4 5/8 | 1/4 | 1/2 | 1 1/4 | 0.332 | 1.758 | 69.3 | 66.3 |

**T_{aper}
B_{ore}** Sprockets

QTL

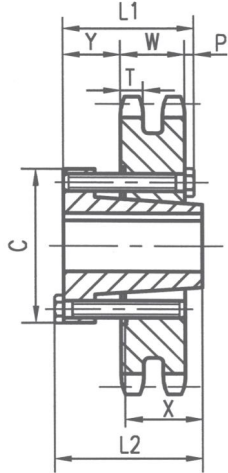


QTL-TYPE B₁

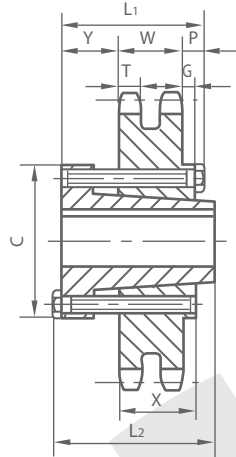


60-1 FOR 3/4" PITCH ANSI CHAIN

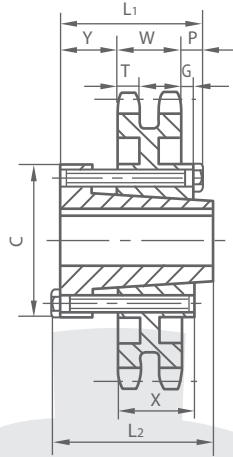
| TEETH NO. | CATALOG NUMBER | BUSH | DIAMETERS | | TYPE | MAX. BORE | DIMENSIONS | | | | | | | WEIGHT (APP) | |
|-----------|----------------|------|-----------|--------|----------------|-----------|------------|---------|---------|--------|---------|-------|-------|--------------|----------|
| | | | OD | PD | | | L1 | L2 | C | Y | G | X | T | WITH HUB | RIM ONLY |
| 11 | QTL60JA11H | JA | 3.000 | 2.662 | B ₁ | 1 1/4 | 1 1/8 | 1 1/8 | 21/16 | 35/64 | 11/64 | 5/8 | 0.459 | 1.36 | 0.46 |
| 12 | QTL60JA12H | JA | 3.250 | 2.898 | B ₁ | 1 1/4 | 1 1/8 | 1 1/8 | 21/16 | 35/64 | 11/64 | 5/8 | 0.459 | 1.50 | 0.60 |
| 13 | QTL60JA13H | JA | 3.490 | 3.134 | B ₁ | 1 1/4 | 1 1/8 | 1 1/8 | 21/16 | 35/64 | 11/64 | 5/8 | 0.459 | 1.66 | 0.46 |
| 14 | QTL60SH14H | SH | 3.740 | 3.371 | B ₁ | 1 5/8 | 1 7/16 | 1 7/16 | 21 1/16 | 51/64 | 23/64 | 13/16 | 0.459 | 1.88 | 0.88 |
| 15 | QTL60SH15H | SH | 3.980 | 3.607 | B ₁ | 1 5/8 | 1 7/16 | 1 7/16 | 21 1/16 | 51/64 | 23/64 | 13/16 | 0.459 | 2.08 | 1.08 |
| 16 | QTL60SH16H | SH | 4.220 | 3.844 | B ₁ | 1 5/8 | 1 7/16 | 1 7/16 | 21 1/16 | 51/64 | 23/64 | 13/16 | 0.459 | 2.26 | 1.26 |
| 17 | QTL60SDS17H | SDS | 4.460 | 4.082 | B ₁ | 2 | 1 1/2 | 1 1/2 | 33/16 | 55/64 | 19/64 | 3/4 | 0.459 | 2.38 | 1.38 |
| 18 | QTL60SDS18H | SDS | 4.700 | 4.319 | B ₁ | 2 | 1 1/2 | 1 1/2 | 33/16 | 55/64 | 19/64 | 3/4 | 0.459 | 2.56 | 1.56 |
| 19 | QTL60SDS19H | SDS | 4.950 | 4.557 | B ₁ | 2 | 1 1/2 | 1 1/2 | 33/16 | 55/64 | 19/64 | 3/4 | 0.459 | 2.76 | 1.76 |
| 20 | QTL60SDS20H | SDS | 5.190 | 4.794 | B ₁ | 2 | 1 1/2 | 1 1/2 | 33/16 | 55/64 | 19/64 | 3/4 | 0.459 | 3.00 | 2.00 |
| 21 | QTL60SDS21H | SDS | 5.430 | 5.032 | B ₁ | 2 | 1 1/2 | 1 1/2 | 33/16 | 55/64 | 19/64 | 3/4 | 0.459 | 3.20 | 2.44 |
| 22 | QTL60SDS22H | SDS | 5.670 | 5.270 | B ₁ | 2 | 1 1/2 | 1 1/2 | 33/16 | 55/64 | 19/64 | 3/4 | 0.459 | 3.44 | 2.70 |
| 23 | QTL60SDS23H | SDS | 5.910 | 5.508 | B ₁ | 2 | 1 1/2 | 1 1/2 | 33/16 | 55/64 | 19/64 | 3/4 | 0.459 | 3.70 | 2.94 |
| 24 | QTL60SDS24H | SDS | 6.150 | 5.746 | B ₁ | 2 | 1 1/2 | 1 1/2 | 33/16 | 55/64 | 19/64 | 3/4 | 0.459 | 3.94 | 3.24 |
| 25 | QTL60SDS25H | SDS | 6.390 | 5.984 | B ₁ | 2 | 1 1/2 | 1 1/2 | 33/16 | 55/64 | 19/64 | 3/4 | 0.459 | 4.26 | 4.18 |
| 26 | QTL60SK26H | SK | 6.630 | 6.222 | B ₁ | 2 5/8 | 2 1/8 | 2 1/8 | 37/8 | 127/64 | 51/64 | 1 1/4 | 0.459 | 6.18 | 4.52 |
| 27 | QTL60SK27H | SK | 6.870 | 6.460 | B ₁ | 2 5/8 | 2 1/8 | 2 1/8 | 37/8 | 127/64 | 51/64 | 1 1/4 | 0.459 | 6.52 | 4.72 |
| 28 | QTL60SK28H | SK | 7.110 | 6.699 | B ₁ | 2 5/8 | 2 1/8 | 2 1/8 | 37/8 | 127/64 | 51/64 | 1 1/4 | 0.459 | 6.72 | 5.34 |
| 30 | QTL60SK30H | SK | 7.590 | 7.175 | B ₁ | 2 5/8 | 2 1/8 | 2 1/8 | 37/8 | 127/64 | 51/64 | 1 1/4 | 0.459 | 7.34 | 6.10 |
| 32 | QTL60SK32H | SK | 8.070 | 7.652 | B ₁ | 2 5/8 | 2 1/8 | 2 1/8 | 37/8 | 127/64 | 51/64 | 1 1/4 | 0.459 | 8.10 | 7.42 |
| 35 | QTL60SK35H | SK | 8.780 | 8.367 | B ₁ | 2 5/8 | 2 1/8 | 2 1/8 | 37/8 | 127/64 | 51/64 | 1 1/4 | 0.459 | 9.42 | 7.70 |
| 36 | QTL60SK36H | SK | 9.020 | 8.605 | B ₁ | 2 5/8 | 2 1/8 | 2 1/8 | 37/8 | 127/64 | 51/64 | 1 1/4 | 0.459 | 9.70 | 9.56 |
| 40 | QTL60SK40 | SK | 9.980 | 9.559 | B ₁ | 2 5/8 | 2 1/8 | 2 1/8 | 37/8 | 127/64 | 51/64 | 1 1/4 | 0.459 | 11.56 | 10.78 |
| 42 | QTL60SF42 | SF | 10.460 | 10.036 | B ₁ | 2 15/16 | 2 1/4 | 2 1/4 | 45/8 | 135/64 | 51/64 | 1 1/4 | 0.459 | 13.78 | 12.40 |
| 45 | QTL60SF45 | SF | 11.180 | 10.752 | B ₁ | 2 15/16 | 2 1/4 | 2 1/4 | 45/8 | 135/64 | 51/64 | 1 1/4 | 0.459 | 15.40 | 14.20 |
| 48 | QTL60SF48 | SF | 11.890 | 11.467 | B ₁ | 2 15/16 | 2 1/4 | 2 1/4 | 45/8 | 135/64 | 51/64 | 1 1/4 | 0.459 | 17.26 | 17.02 |
| 54 | QTL50SF54 | SF | 13.330 | 12.899 | B ₁ | 2 15/16 | 2 1/4 | 2 1/4 | 45/8 | 135/64 | 51/64 | 1 1/4 | 0.459 | 20.02 | 18.07 |
| 60 | QTL50SF60 | SF | 14.760 | 14.331 | B ₁ | 2 15/16 | 2 1/4 | 2 1/4 | 45/8 | 135/64 | 51/64 | 1 1/4 | 0.459 | 2.76 | 20.76 |
| 70 | QTL50SF70 | SF | 17.150 | 16.717 | B ₁ | 2 15/16 | 2 1/4 | 2 1/4 | 45/8 | 135/64 | 51/64 | 1 1/4 | 0.459 | 31.60 | 28.60 |
| 72 | QTL50SF72 | SF | 17.630 | 17.194 | B ₁ | 2 15/16 | 2 1/4 | 2 1/4 | 45/8 | 135/64 | 51/64 | 1 1/4 | 0.459 | 32.58 | 29.58 |
| 80 | QTL60SF80 | SF | 19.540 | 19.163 | B ₁ | 2 15/16 | 2 1/4 | 2 1/4 | 45/8 | 135/64 | 51/64 | 1 1/4 | 0.459 | 41.24 | 38.24 |
| 84 | QTL60SF84 | SF | 20.490 | 20.058 | B ₁ | 2 15/16 | 2 1/4 | 2 1/4 | 45/8 | 135/64 | 51/64 | 1 1/4 | 0.459 | 46.94 | 40.96 |
| 96 | QTL60SF96 | SF | 23.360 | 22.922 | B ₁ | 2 15/16 | 2 1/4 | 2 1/4 | 45/8 | 135/64 | 51/64 | 1 1/4 | 0.459 | 55.40 | 52.40 |
| 112 | QTL60E112 | E | 27.180 | 26.742 | B ₁ | 3 1/2 | 2 5/8 | 2 15/16 | 6 | 2 3/16 | 1 11/64 | 1 5/8 | 0.459 | 83.76 | 73.76 |



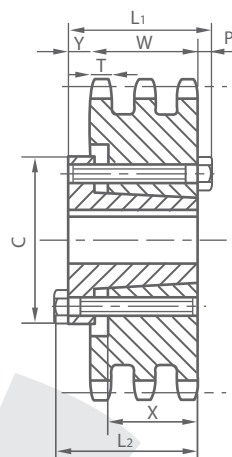
QTL-TYPE 1C2



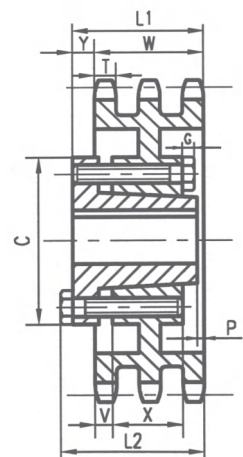
QTL-TYPE 2C2



QTL-TYPE 4C2



QTL-TYPE B3



QTL-TYPE 1C3

60-2 FOR 3/4" PITCH ANSI CHAIN

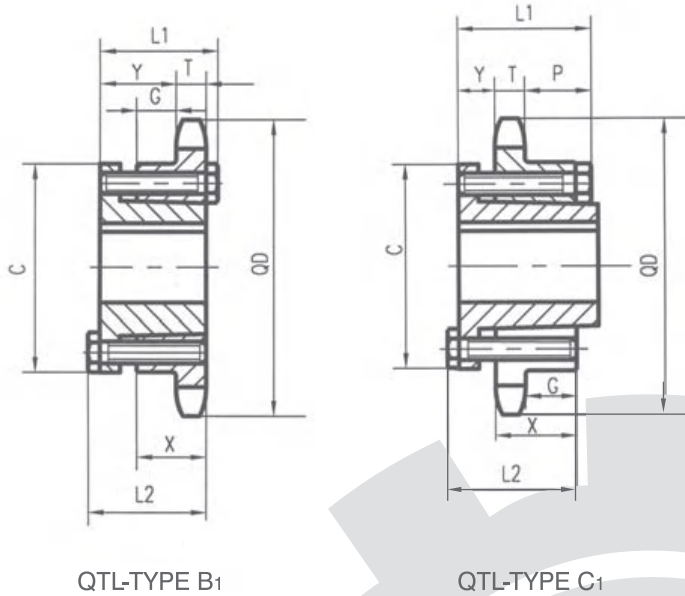
| TEETH NO. | CATALOG NUMBER | BUSH | DIAMETERS | | TYPE | MAX. BORE | DIMENSIONS | | | | | | | WEIGHT (APP.) | | |
|-----------|----------------|------|-----------|--------|------|-----------|------------|--------|--------|-----|-------|------|------|---------------|----------|----------|
| | | | O.D | P.D | | | L1 | L2 | C | Y | P | G | X | W | WITH HUB | RIM ONLY |
| 14 | 2QTL60SH14H | SH | 3.740 | 3.371 | 1C2 | 15/8 | 131/32 | 131/32 | 211/16 | 1/2 | | | | 1.341 | 2.5 | 1.5 |
| 22 | 2QTL60SDS22H | SDS | 5.670 | 5.270 | 1C2 | 2 | 117/32 | 115/32 | 33/16 | | | | 3/4 | 1.341 | 5.44 | 4.44 |
| 36 | 2QTL60SF36H | SF | 9.02 | 8.605 | 1C2 | 215/16 | 2 | 21/4 | 45/8 | 3/4 | | | 11/4 | 1.341 | 19.26 | 16.26 |
| 42 | 2QTL60E42 | E | 10.460 | 10.036 | 2C2 | 31/2 | 25/8 | 215/16 | 6 | 7/8 | 13/32 | 9/32 | 15/8 | 1.341 | 34.04 | 24.04 |
| 45 | 2QTL60E45 | E | 11.180 | 10.752 | 2C2 | 31/2 | 25/8 | 215/16 | 6 | 7/8 | 13/32 | 9/32 | 15/8 | 1.341 | 38.26 | 28.26 |
| 52 | 2QTL60E52 | E | 12.850 | 12.422 | 2C2 | 31/2 | 25/8 | 215/16 | 6 | 7/8 | 13/32 | 9/32 | 15/8 | 1.341 | 49.52 | 39.52 |
| 60 | 2QTL60E60 | E | 14.760 | 14.331 | 2C2 | 31/2 | 25/8 | 215/16 | 6 | 7/8 | 13/32 | 9/32 | 15/8 | 1.341 | 63.39 | 53.74 |
| 68 | 2QTL60E68 | E | 16.670 | 16.240 | 2C2 | 31/2 | 25/8 | 215/16 | 6 | 7/8 | 13/32 | 9/32 | 15/8 | 1.341 | 54.32 | 44.32 |
| 76 | 2QTL60E76 | E | 18.580 | 18.149 | 4C2 | 31/2 | 25/8 | 215/16 | 6 | 7/8 | 13/32 | 9/32 | 15/8 | 1.341 | 61.48 | 51.48 |
| 95 | 2QTL60E95 | E | 23.120 | 22.683 | 4C2 | 31/2 | 25/8 | 215/16 | 6 | 7/8 | 13/32 | 9/32 | 15/8 | 1.341 | 82.96 | 72.96 |

60-3 FOR 3/4" PITCH ANSI CHAIN

| TEETH NO. | CATALOG NUMBER | BUSH | DIMENSIONS | | TYPE | MAX. BORE | DIMENSIONS | | | | | | | WEIGHT (APP.) | | DIMENS V | |
|-----------|----------------|------|------------|--------|------|-----------|------------|--------|---|-------|------|-----|------|---------------|----------|----------|----------|
| | | | O.D | P.D | | | L1 | L2 | C | Y | P | G | X | W | WITH HUB | | RIM ONLY |
| 36 | 3QTL60E36 | E | 9.020 | 8.605 | B3 | 31/2 | 25/8 | 215/16 | 6 | 17/64 | 1/8 | | 15/8 | 2.238 | 46 | 37 | |
| 42 | 3QTL60E42 | E | 10.460 | 10.036 | B3 | 31/2 | 25/8 | 215/16 | 6 | 17/64 | 1/8 | | 15/8 | 2.238 | 62 | 50 | |
| 52 | 3QTL60E52 | E | 12.850 | 12.422 | B3 | 31/2 | 25/8 | 215/16 | 6 | 17/64 | 1/8 | | 15/8 | 2.238 | 80 | 68 | |
| 68 | 3QTL60E68 | E | 16.670 | 16.240 | 1C3 | 31/2 | 213/16 | 37/64 | 6 | 9/16 | 3/16 | 1/8 | 15/8 | 2.238 | 83 | 71 | 5/16 |
| 76 | 3QTL60E76 | E | 18.580 | 18.149 | 1C3 | 31/2 | 213/16 | 37/64 | 6 | 9/16 | 3/16 | 1/8 | 15/8 | 2.238 | 99 | 87 | 5/16 |
| 95 | 3QTL60E95 | E | 23.120 | 22.683 | 1C3 | 31/2 | 213/16 | 37/64 | 6 | 9/16 | 3/16 | 1/8 | 15/8 | 2.238 | 129 | 117 | 5/16 |

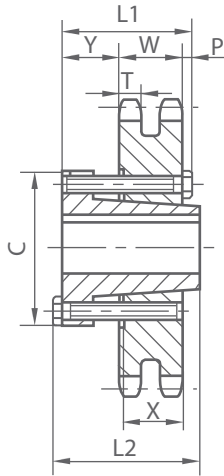
**T_{aper}
B_{ore}** Sprockets

QTL

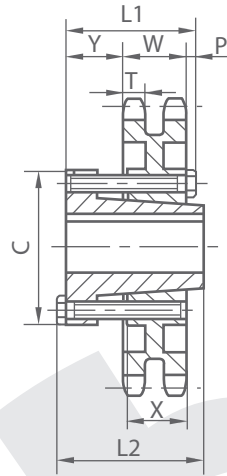


80-1 FOR 1" PITCH ANSI CHAIN

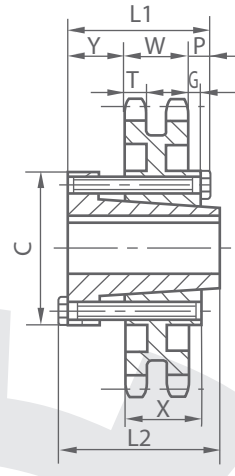
| TEETH NO. | CATALOG NUMBER | BUSH | DIAMETERS | | TYPE | MAX. | DIMENSIONS | | | | | | | | | WEIGHT (APP.) | |
|-----------|----------------|------|-----------|--------|------|--------|------------|--------|--------|--------|-------|--------|-------|-------|----------|---------------|--|
| | | | OD | PD | | | L1 | L2 | C | Y | p | G | X | T | WITH HUB | RIM ONLY | |
| 11 | QTL80SH11H | SH | 4.010 | 3.550 | B1 | 15/8 | 17/16 | 17/16 | 211/16 | 21/32 | — | 15/64 | 13/16 | 0.575 | 2.0 | 1.0 | |
| 12 | QTL80SH12H | SH | 4.330 | 3.864 | B1 | 15/8 | 17/16 | 17/16 | 211/16 | 21/32 | — | 15/64 | 13/16 | 0.575 | 2.4 | 1.4 | |
| 13 | QTL80SDS13H | SDS | 4.660 | 4.179 | B1 | 2 | 11/2 | 11/2 | 33/16 | 47/64 | — | 11/64 | 3/4 | 0.575 | 2.5 | 1.5 | |
| 14 | QTL80SDS14H | SDS | 4.980 | 4.494 | B1 | 2 | 11/2 | 11/2 | 33/16 | 47/64 | — | 11/64 | 3/4 | 0.575 | 2.8 | 1.8 | |
| 15 | QTL80SK15H | SK | 5.300 | 4.810 | B1 | 25/8 | 21/8 | 21/8 | 37/8 | 119/64 | — | 21/32 | 11/4 | 0.575 | 4.5 | 2.5 | |
| 16 | QTL80SK16H | SK | 5.630 | 5.126 | B1 | 25/8 | 21/8 | 21/8 | 37/8 | 119/64 | — | 21/32 | 11/4 | 0.575 | 5.1 | 3.1 | |
| 17 | QTL80SK17H | SK | 5.950 | 5.442 | B1 | 25/8 | 21/8 | 21/8 | 37/8 | 119/64 | — | 21/32 | 11/4 | 0.575 | 5.5 | 3.5 | |
| 18 | QTL80SK18H | SK | 6.270 | 5.759 | B1 | 25/8 | 21/8 | 21/8 | 37/8 | 119/64 | — | 21/32 | 11/4 | 0.575 | 5.9 | 3.9 | |
| 19 | QTL80SK19H | SK | 6.590 | 6.076 | B1 | 25/8 | 21/8 | 21/8 | 37/8 | 119/64 | — | 21/32 | 11/4 | 0.575 | 6.4 | 4.4 | |
| 20 | QTL80SF20H | SF | 6.910 | 6.392 | B1 | 215/16 | 21/4 | 21/4 | 45/8 | 127/64 | — | 21/32 | 11/4 | 0.575 | 8.3 | 5.3 | |
| 21 | QTL80SF21H | SF | 7.240 | 6.710 | B1 | 215/16 | 21/4 | 21/4 | 45/8 | 127/64 | — | 21/32 | 11/4 | 0.575 | 8.7 | 5.7 | |
| 22 | QTL80SF22H | SF | 7.560 | 7.027 | B1 | 215/16 | 21/4 | 21/4 | 45/8 | 127/64 | — | 21/32 | 11/4 | 0.575 | 9.3 | 6.3 | |
| 23 | QTL80SF23H | SF | 7.880 | 7.344 | B1 | 215/16 | 21/4 | 21/4 | 45/8 | 127/64 | — | 21/32 | 11/4 | 0.575 | 9.8 | 6.8 | |
| 24 | QTL80SF24H | SF | 8.200 | 7.661 | B1 | 215/16 | 21/4 | 21/4 | 45/8 | 127/64 | — | 21/32 | 11/4 | 0.575 | 10.5 | 7.5 | |
| 25 | QTL80SF25H | SF | 8.520 | 7.979 | B1 | 215/16 | 21/4 | 21/4 | 45/8 | 127/64 | — | 21/32 | 11/4 | 0.575 | 11.0 | 8.0 | |
| 26 | QTL80SF26H | SF | 8.840 | 8.296 | B1 | 215/16 | 21/4 | 21/4 | 45/8 | 127/64 | — | 21/32 | 11/4 | 0.575 | 11.6 | 8.6 | |
| 27 | QTL80SF27H | SF | 9.160 | 8.614 | B1 | 215/16 | 21/4 | 21/4 | 45/8 | 127/64 | — | 21/32 | 11/4 | 0.575 | 12.4 | 9.4 | |
| 28 | QTL80SF28H | SF | 9.480 | 8.931 | B1 | 215/16 | 21/4 | 21/4 | 45/8 | 127/64 | — | 21/32 | 11/4 | 0.575 | 13.2 | 10.2 | |
| 30 | QTL80SF30H | SF | 10.110 | 9.567 | B1 | 215/16 | 21/4 | 21/4 | 45/8 | 127/64 | — | 21/32 | 11/4 | 0.575 | 14.3 | 11.3 | |
| 32 | QTL80SF32H | SF | 10.750 | 10.202 | B1 | 215/16 | 21/4 | 21/4 | 45/8 | 127/64 | — | 21/32 | 11/4 | 0.575 | 16.0 | 13.0 | |
| 33 | QTL80SF33H | SF | 11.070 | 10.520 | B1 | 215/16 | 21/4 | 21/4 | 45/8 | 127/64 | — | 21/32 | 11/4 | 0.575 | 16.5 | 13.5 | |
| 34 | QTL80SF34H | SF | 11.390 | 10.838 | B1 | 215/16 | 21/4 | 21/4 | 45/8 | 127/64 | — | 21/32 | 11/4 | 0.575 | 17.1 | 14.1 | |
| 35 | QTL80SF35H | SF | 11.710 | 11.156 | B1 | 215/16 | 21/4 | 21/4 | 45/8 | 127/64 | — | 21/32 | 11/4 | 0.575 | 18.5 | 15.5 | |
| 36 | QTL80SF36H | SF | 12.030 | 11.474 | B1 | 215/16 | 21/4 | 21/4 | 45/8 | 127/64 | — | 21/32 | 11/4 | 0.575 | 19.9 | 16.9 | |
| 40 | QTL80SF40 | SF | 13.310 | 12.746 | B1 | 215/16 | 21/4 | 21/4 | 45/8 | 127/64 | — | 21/32 | 11/4 | 0.575 | 23.6 | 20.6 | |
| 42 | QTL80SF42 | SF | 13.940 | 13.382 | B1 | 215/16 | 21/4 | 21/4 | 45/8 | 127/64 | — | 21/32 | 11/4 | 0.575 | 25.4 | 22.4 | |
| 45 | QTL80SF45 | SF | 14.900 | 14.336 | B1 | 215/16 | 21/4 | 21/4 | 45/8 | 127/64 | — | 21/32 | 11/4 | 0.575 | 28.1 | 25.1 | |
| 48 | QTL80SF48 | SF | 15.860 | 15.290 | B1 | 215/16 | 21/4 | 21/4 | 45/8 | 127/64 | — | 21/32 | 11/4 | 0.575 | 31.6 | 28.6 | |
| 54 | QTL80SF54 | SF | 17.770 | 17.198 | B1 | 215/16 | 21/4 | 21/4 | 45/8 | 127/64 | — | 21/32 | 11/4 | 0.575 | 39.8 | 36.8 | |
| 60 | QTL80SF60 | SF | 19.680 | 19.107 | B1 | 215/16 | 21/4 | 21/4 | 45/8 | 127/64 | — | 21/32 | 11/4 | 0.575 | 48.8 | 45.8 | |
| 70 | QTL80E70 | E | 22.870 | 22.289 | C1 | 31/2 | 25/8 | 215/16 | 6 | 7/8 | 13/16 | 13/64 | 15/8 | 0.575 | 65.6 | 55.6 | |
| 72 | QTL80E72 | E | 23.500 | 22.926 | C1 | 31/2 | 25/8 | 215/16 | 6 | 7/8 | 13/16 | 13/64 | 15/8 | 0.575 | 69.3 | 59.3 | |
| 80 | QTL80E80 | E | 26.050 | 25.471 | C1 | 31/2 | 25/8 | 215/16 | 6 | 7/8 | 13/16 | 13/64 | 15/8 | 0.575 | 79.2 | 69.2 | |
| 84 | QTL80E84 | E | 27.330 | 26.744 | C1 | 31/2 | 25/8 | 215/16 | 6 | 7/8 | 13/16 | 13/64 | 15/8 | 0.575 | 84.9 | 74.9 | |
| 96 | QTL80E96 | E | 31.150 | 30.563 | C1 | 31/2 | 25/8 | 215/16 | 6 | 7/8 | 13/16 | 13/64 | 15/8 | 0.575 | 108.0 | 97.5 | |
| 112 | QTL80F112 | F | 36.240 | 35.655 | C1 | 315/16 | 35/8 | 4 | 65/8 | 1 | 21/16 | 159/64 | 21/2 | 0.575 | 145.0 | 134.0 | |



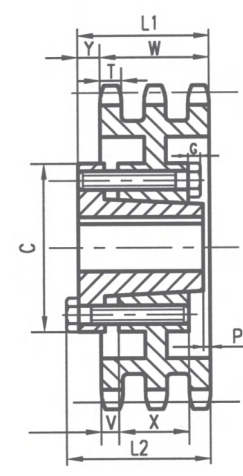
QTL-TYPE 1C2



QTL-TYPE 3C2



QTL-TYPE 4C3



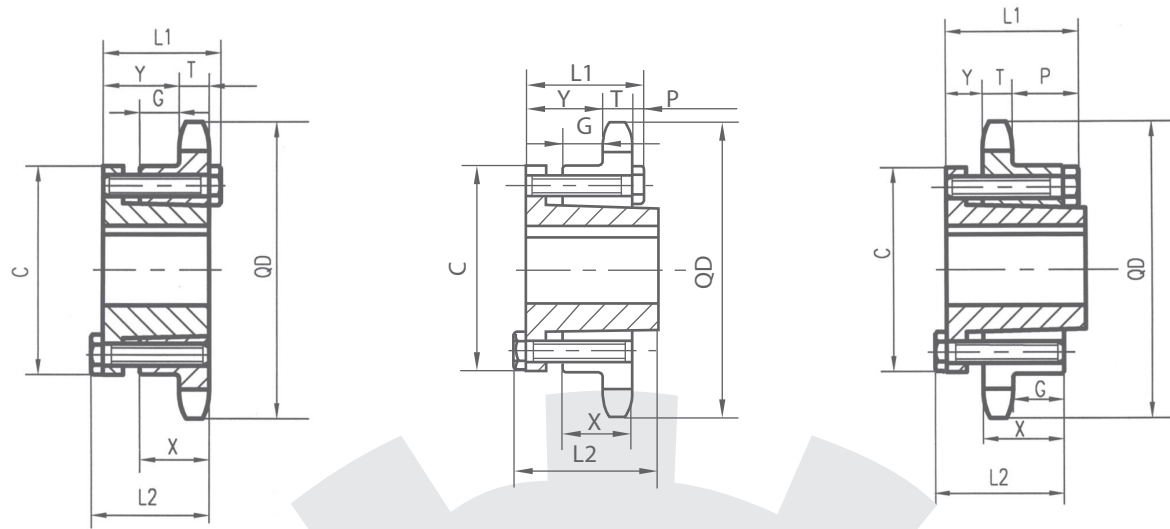
QTL-TYPE 3B3

80-2 FOR 1" PITCH ANSI CHAIN

| TEETH No. | CATALOG NUMBER | BUSH | DIAMETERS | | TYPE | MAX. BORE | DIMENSIONS | | | | | | | WEIGHT (APP.) | | |
|-----------|----------------|------|-----------|--------|------|-----------|------------|--------|------|-------|-------|-------|------|---------------|----------|----------|
| | | | O.D. | P.D. | | | L1 | L2 | C | Y | P | G | X | W | WITH HUB | RIM ONLY |
| 36 | 2QTL80E36H | E | 12.030 | 11.474 | 1C2 | 31/2 | 25/8 | 215/16 | 6 | 51/64 | 1/8 | | 15/8 | 1.710 | 48.3 | 38.2 |
| 42 | 2QTL80E42 | E | 13.940 | 13.382 | 1C2 | 31/2 | 25/8 | 215/16 | 6 | 51/64 | 1/8 | | 15/8 | 1.710 | 65.3 | 55.3 |
| 45 | 2QTL80E45 | E | 14.900 | 14.336 | 1C2 | 31/2 | 25/8 | 215/16 | 6 | 51/64 | 1/8 | | 15/8 | 1.710 | 74.6 | 64.6 |
| 52 | 2QTL80E52 | E | 17.130 | 16.562 | 3C2 | 31/2 | 25/8 | 215/16 | 6 | 51/64 | 1/8 | | 15/8 | 1.710 | 68.2 | 58.2 |
| 60 | 2QTL80E60 | E | 19.680 | 19.107 | 3C2 | 31/2 | 25/8 | 215/16 | 6 | 51/64 | 1/8 | | 15/8 | 1.710 | 78.2 | 68.2 |
| 68 | 2QTL80E68 | E | 22.230 | 21.653 | 3C2 | 31/2 | 25/8 | 215/16 | 6 | 51/64 | 1/8 | | 15/8 | 1.710 | 84.2 | 74.2 |
| 76 | 2QTL80E76 | E | 24.780 | 24.198 | 3C2 | 31/2 | 25/8 | 215/16 | 6 | 51/64 | 1/8 | | 15/8 | 1.710 | 100 | 90.1 |
| 95 | 2QTL80F95 | F | 30.830 | 30.245 | 4C3 | 315/16 | 35/8 | 4 | 65/8 | 1 | 51/64 | 51/64 | 21/2 | 1.710 | 152 | 140 |

80-3 FOR 1" PITCH ANSI CHAIN

| TEETH NO. | CATALOG NUMBER | BUSH | DIMENSIONS | | TYPE | MAX. BORE | DIMENSIONS | | | | | | | WEIGHT (APP.) | | DIMENS | |
|-----------|----------------|------|------------|--------|------|-----------|------------|--------|------|-------|-------|------|------|---------------|----------|----------|-----|
| | | | O.D. | P.D. | | | L1 | L2 | C | Y | P | V | X | W | WITH HUB | RIM ONLY | G |
| 36 | 3QTL80E36H | E | 12.030 | 11.474 | 3B3 | 31/2 | 37/64 | 327/64 | 6 | 1/4 | 31/64 | 5/8 | 15/8 | 2.863 | 65.1 | 55.1 | 1/8 |
| 42 | 3QTL80E42 | E | 13.940 | 13.382 | 3B3 | 31/2 | 37/64 | 327/64 | 6 | 1/4 | 31/64 | 5/8 | 15/8 | 2.863 | 69.9 | 71.9 | 1/8 |
| 45 | 3QTL80E45 | E | 14.900 | 14.336 | 3B3 | 31/2 | 37/64 | 327/64 | 6 | 1/4 | 31/64 | 5/8 | 15/8 | 2.863 | 25.3 | 65.3 | 1/8 |
| 52 | 3QTL80E52 | E | 17.130 | 16.562 | 3B3 | 31/2 | 37/64 | 327/64 | 6 | 1/4 | 31/64 | 5/8 | 15/8 | 2.863 | 90.0 | 80.0 | 1/8 |
| 60 | 3QTL80F60 | F | 19.680 | 19.107 | 3B3 | 315/16 | 343/64 | 43/64 | 65/8 | 13/16 | 3/64 | 3/16 | 21/2 | 2.863 | 112 | 100 | 1/8 |
| 68 | 3QTL80F68 | F | 22.230 | 21.653 | 3B3 | 315/16 | 343/64 | 43/64 | 65/8 | 13/16 | 3/64 | 3/16 | 21/2 | 2.863 | 132 | 120 | 1/8 |
| 76 | 3QTL80F76 | F | 24.780 | 24.198 | 3B3 | 315/16 | 343/64 | 43/64 | 65/8 | 13/16 | 3/64 | 3/16 | 21/2 | 2.863 | 150 | 138 | 1/8 |
| 95 | 3QTL80F95 | F | 30.830 | 30.245 | 3B3 | 315/16 | 343/64 | 43/64 | 65/8 | 13/16 | 3/64 | 3/16 | 21/2 | 2.863 | 208 | 196 | 1/8 |



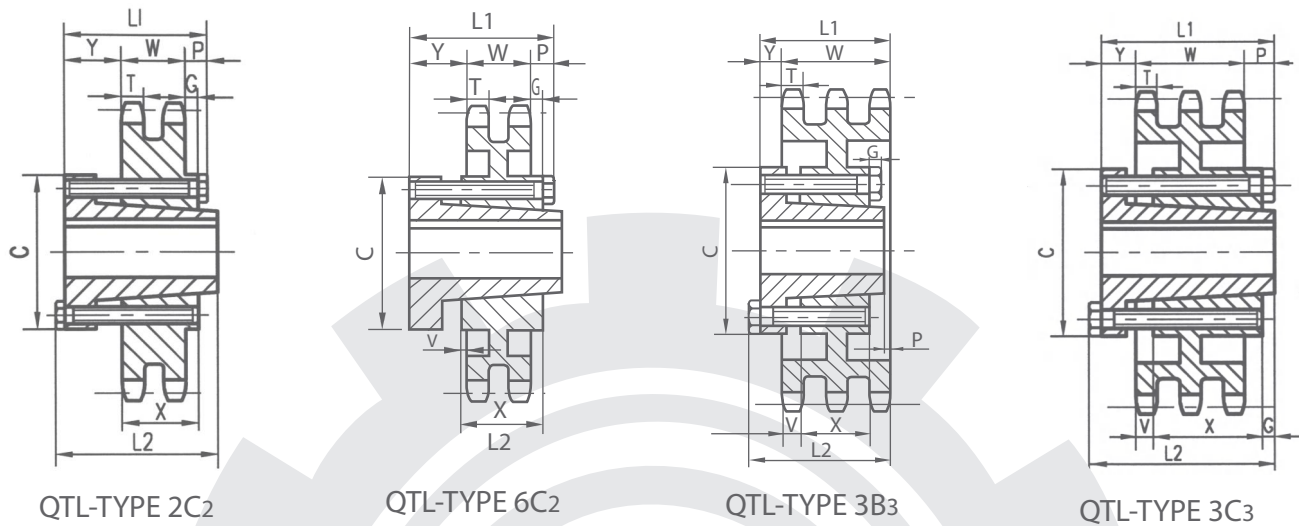
QTL-TYPE-B1

QTL-TYPE 1B1

QTL-TYPE C1

100-1 FOR 1 1/4" PITCH ANSI CHAIN

| TEETH No. | CATALOG NUMBER | BUSH | DIAMETERS | | TYPE | MAX. | DIMENSIONS | | | | | | | WEIGHT (APP.) | | |
|-----------|----------------|------|-----------|--------|------|---------|------------|---------|-------|---------|---------|---------|-------|---------------|----------|----------|
| | | | O.D. | P.D. | | | L1 | L2 | C | Y | P | G | X | T | WITH HUB | RIM ONLY |
| 11 | QTL100SDS11H | SDS | 5.010 | 4.437 | B1 | 2 | 1 1/2 | 1 1/2 | 33/16 | 5/8 | — | 1/16 | 3/4 | 0.692 | 3.0 | 2.0 |
| 12 | QTL100SDS12H | SDS | 5.420 | 4.830 | B1 | 2 | 1 1/2 | 1 1/2 | 33/16 | 5/8 | — | 1/16 | 3/4 | 0.692 | 3.6 | 2.6 |
| 13 | QTL100SK13H | SK | 5.820 | 5.223 | B1 | 25/8 | 2 1/8 | 2 1/8 | 37/8 | 1 13/64 | — | 9/16 | 1 1/4 | 0.692 | 5.3 | 3.3 |
| 14 | QTL100SK14H | SK | 6.230 | 5.617 | B1 | 25/8 | 2 1/8 | 2 1/8 | 37/8 | 1 13/64 | — | 9/16 | 1 1/4 | 0.692 | 6.1 | 4.1 |
| 15 | QTL100SF15H | SF | 6.630 | 6.012 | B1 | 2 15/16 | 2 1/4 | 2 1/4 | 45/8 | 1 19/64 | — | 9/16 | 1 1/4 | 0.692 | 7.8 | 4.8 |
| 16 | QTL100SF16H | SF | 7.030 | 6.407 | B1 | 2 15/16 | 2 1/4 | 2 1/4 | 45/8 | 1 19/64 | — | 9/16 | 1 1/4 | 0.692 | 8.6 | 5.6 |
| 17 | QTL100SF17H | SF | 7.440 | 6.803 | B1 | 2 15/16 | 2 1/4 | 2 1/4 | 45/8 | 1 19/64 | — | 9/16 | 1 1/4 | 0.692 | 9.5 | 6.5 |
| 18 | QTL100E18H | E | 7.840 | 7.198 | 1B1 | 3 1/2 | 2 5/8 | 2 15/16 | 6 | 1 13/16 | 1/8 | 15/16 | 1 5/8 | 0.692 | 19.0 | 9.0 |
| 19 | QTL100E19H | E | 8.240 | 7.595 | 1B1 | 3 1/2 | 2 5/8 | 2 15/16 | 6 | 1 13/16 | 1/8 | 15/16 | 1 5/8 | 0.692 | 20.2 | 10.2 |
| 20 | QTL100E20H | E | 8.640 | 7.991 | 1B1 | 3 1/2 | 2 5/8 | 2 15/16 | 6 | 1 13/16 | 1/8 | 15/16 | 1 5/8 | 0.692 | 21.6 | 11.6 |
| 21 | QTL100E21H | E | 9.040 | 8.387 | 1B1 | 3 1/2 | 2 5/8 | 2 15/16 | 6 | 1 13/16 | 1/8 | 15/16 | 1 5/8 | 0.692 | 22.5 | 12.5 |
| 22 | QTL100E22H | E | 9.440 | 8.783 | 1B1 | 3 1/2 | 2 5/8 | 2 15/16 | 6 | 1 13/16 | 1/8 | 15/16 | 1 5/8 | 0.692 | 23.5 | 13.5 |
| 23 | QTL100E23H | E | 9.840 | 9.180 | 1B1 | 3 1/2 | 2 5/8 | 2 15/16 | 6 | 1 13/16 | 1/8 | 15/16 | 1 5/8 | 0.692 | 24.6 | 14.6 |
| 24 | QTL100E24H | E | 10.250 | 9.577 | 1B1 | 3 1/2 | 2 5/8 | 2 15/16 | 6 | 1 13/16 | 1/8 | 15/16 | 1 5/8 | 0.692 | 25.7 | 15.7 |
| 25 | QTL100E25H | E | 10.650 | 9.973 | 1B1 | 3 1/2 | 2 5/8 | 2 15/16 | 6 | 1 13/16 | 1/8 | 15/16 | 1 5/8 | 0.692 | 26.8 | 16.8 |
| 26 | QTL100E26H | E | 11.050 | 10.370 | 1B1 | 3 1/2 | 2 5/8 | 2 15/16 | 6 | 1 13/16 | 1/8 | 15/16 | 1 5/8 | 0.692 | 28.1 | 18.1 |
| 27 | QTL100E27H | E | 11.440 | 10.767 | 1B1 | 3 1/2 | 2 5/8 | 2 15/16 | 6 | 1 13/16 | 1/8 | 15/16 | 1 5/8 | 0.692 | 29.2 | 19.2 |
| 28 | QTL100E28H | E | 11.840 | 11.164 | 1B1 | 3 1/2 | 2 5/8 | 2 15/16 | 6 | 1 13/16 | 1/8 | 15/16 | 1 5/8 | 0.692 | 30.7 | 20.7 |
| 30 | QTL100E30H | E | 12.640 | 11.958 | 1B1 | 3 1/2 | 2 5/8 | 2 15/16 | 6 | 1 13/16 | 1/8 | 15/16 | 1 5/8 | 0.692 | 33.2 | 23.2 |
| 32 | QTL100E32 | E | 13.440 | 12.753 | 1B1 | 3 1/2 | 2 5/8 | 2 15/16 | 6 | 1 13/16 | 1/8 | 15/16 | 1 5/8 | 0.692 | 35.4 | 25.4 |
| 35 | QTL100E35 | E | 14.640 | 13.945 | 1B1 | 3 1/2 | 2 5/8 | 2 15/16 | 6 | 1 13/16 | 1/8 | 15/16 | 1 5/8 | 0.692 | 40.5 | 30.5 |
| 36 | QTL100E36 | E | 15.040 | 14.342 | 1B1 | 3 1/2 | 2 5/8 | 2 15/16 | 6 | 1 13/16 | 1/8 | 15/16 | 1 5/8 | 0.692 | 42.5 | 32.5 |
| 40 | QTL100E40 | E | 16.630 | 15.932 | 1B1 | 3 1/2 | 2 5/8 | 2 15/16 | 6 | 1 13/16 | 1/8 | 15/16 | 1 5/8 | 0.692 | 49.1 | 37.9 |
| 42 | QTL100E42 | E | 17.430 | 16.727 | 1B1 | 3 1/2 | 2 5/8 | 2 15/16 | 6 | 1 13/16 | 1/8 | 15/16 | 1 5/8 | 0.692 | 53.4 | 43.4 |
| 45 | QTL100E45 | E | 18.630 | 17.920 | 1B1 | 3 1/2 | 2 5/8 | 2 15/16 | 6 | 1 13/16 | 1/8 | 15/16 | 1 5/8 | 0.692 | 58.9 | 48.9 |
| 48 | QTL100E48 | E | 19.820 | 19.112 | 1B1 | 3 1/2 | 2 5/8 | 2 15/16 | 6 | 1 13/16 | 1/8 | 15/16 | 1 5/8 | 0.692 | 64.0 | 54.0 |
| 54 | QTL100E54 | E | 22.210 | 21.498 | C1 | 3 1/2 | 2 5/8 | 2 15/16 | 6 | 7/8 | 1 1/16 | 15/16 | 1 5/8 | 0.692 | 72.0 | 62.0 |
| 60 | QTL100E60 | E | 24.600 | 23.884 | C1 | 3 1/2 | 2 5/8 | 2 15/16 | 6 | 7/8 | 1 1/16 | 15/16 | 1 5/8 | 0.692 | 84.0 | 74.0 |
| 70 | QTL100F70 | F | 28.580 | 27.862 | C1 | 3 15/16 | 3 5/8 | 4 | 6 5/8 | 1 | 1 15/16 | 1 13/16 | 2 1/2 | 0.692 | 110.5 | 99.0 |
| 72 | QTL100F72 | F | 29.380 | 28.657 | C1 | 3 15/16 | 3 5/8 | 4 | 6 5/8 | 1 | 1 15/16 | 1 13/16 | 2 1/2 | 0.692 | 117.5 | 106 |
| 80 | QTL100F80 | F | 32.570 | 31.839 | C1 | 3 15/16 | 3 5/8 | 4 | 6 5/8 | 1 | 1 15/16 | 1 13/16 | 2 1/2 | 0.692 | 134.5 | 123 |
| 84 | QTL100F84 | F | 34.160 | 33.430 | C1 | 3 15/16 | 3 5/8 | 4 | 6 5/8 | 1 | 1 15/16 | 1 13/16 | 2 1/2 | 0.692 | 151.5 | 140 |

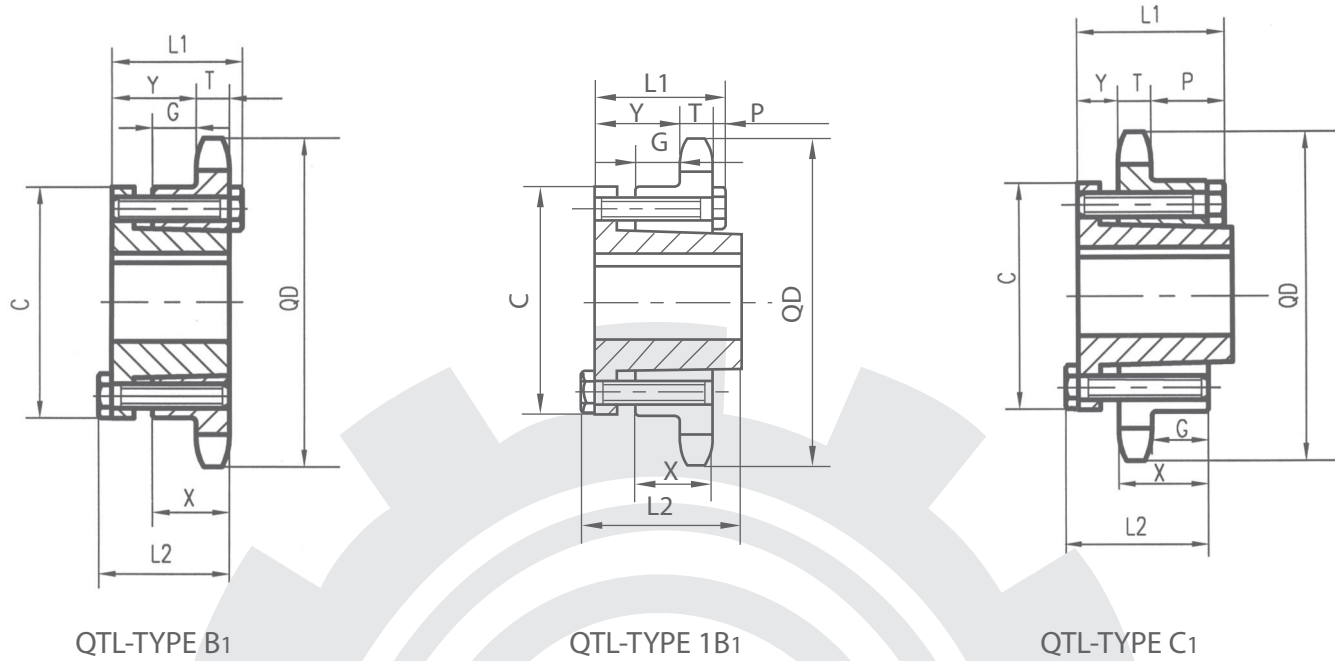


100-2 FOR 1 1/4" PITCH ANSI CHAIN

| TEETH NO. | CATALOG NUMBER | BUSH | DIMENSIONS | | TYPE | MAX. BORE | DIMENSIONS | | | | | | | | WEIGHT (APP.) | | DIMENS V |
|-----------|----------------|------|------------|--------|------|-----------|------------|----|------|-------|--------|-------|-------|-------|---------------|----------|----------|
| | | | O.D | P.D | | | L1 | L2 | C | Y | P | G | X | W | WITH HUB | RIM ONLY | |
| 35 | 2QTL100F35 | F | 14.640 | 13.945 | 2C2 | 315/16 | 35/8 | 4 | 65/8 | 1 | 35/64 | 27/64 | 21/2 | 2.077 | 84.5 | 73 | |
| 45 | 2QTL100F45 | F | 18.630 | 17.920 | 2C2 | 315/16 | 35/8 | 4 | 65/8 | 1 | 35/64 | 27/64 | 21/2 | 2.077 | 92.5 | 81 | |
| 60 | 2QTL100J60 | J | 24.600 | 23.884 | 6C2 | 47/16 | 41/2 | 5 | 71/4 | 17/32 | 113/64 | 13/32 | 33/16 | 2.077 | 152 | 133 | 1/32 |
| 70 | 2QTL100J70 | J | 28.580 | 27.862 | 6C2 | 47/16 | 41/2 | 5 | 71/4 | 17/32 | 113/64 | 13/32 | 33/16 | 2.077 | 180 | 161 | 1/32 |
| 80 | 2QTL100J80 | J | 32.570 | 31.839 | 6C2 | 47/16 | 41/2 | 5 | 71/4 | 17/32 | 113/64 | 13/32 | 33/16 | 2.077 | 215 | 196 | 1/32 |

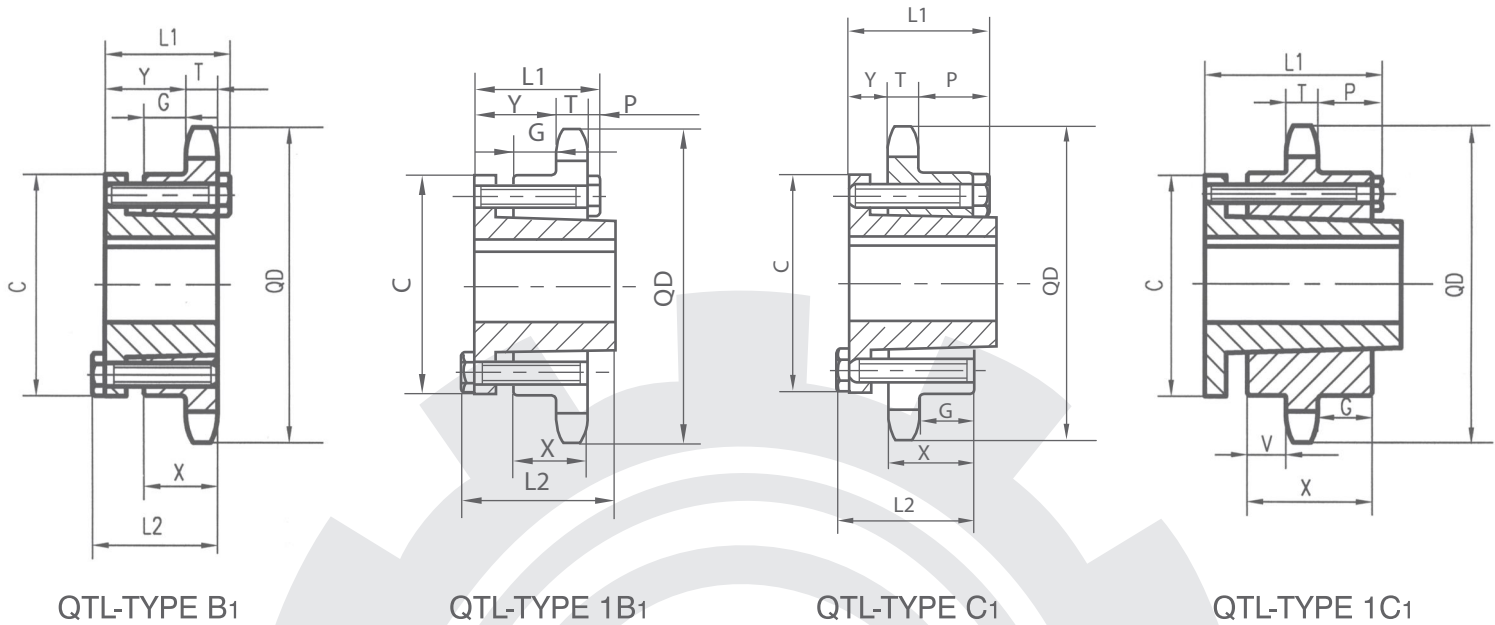
100-3 FOR 1 1/4" PITCH ANSI CHAIN

| TEETH NO. | CATALOG NUMBER | BUSH | DIMENSIONS | | TYPE | MAX. BORE | DIMENSIONS | | | | | | | | WEIGHT (APP.) | | DIMENS V |
|-----------|----------------|------|------------|--------|------|-----------|------------|--------|------|-----|-------|-----|-------|-------|---------------|----------|----------|
| | | | O.D | P.D | | | L1 | L2 | C | Y | P | G | X | W | WITH HUB | RIM ONLY | |
| 35 | 3QTL100F35 | F | 14.640 | 13.945 | 3B3 | 315/16 | 363/64 | 423/64 | 65/8 | 1/2 | 23/64 | 1/8 | 21/2 | 3.485 | 112 | 100 | 1/2 |
| 45 | 3QTL100F45 | F | 18.630 | 17.820 | 3B3 | 315/16 | 363/64 | 423/64 | 65/8 | 1/2 | 23/64 | 1/8 | 21/2 | 3.485 | 139 | 120 | 1/2 |
| 60 | 3QTL100J60 | J | 24.600 | 23.884 | 3C3 | 47/16 | 41/2 | 5 | 71/4 | 1/2 | 33/64 | 3/8 | 33/16 | 3.485 | 197 | 178 | 11/16 |
| 70 | 3QTL100J70 | J | 28.580 | 27.862 | 3C3 | 47/16 | 41/2 | 5 | 71/4 | 1/2 | 33/64 | 3/8 | 33/16 | 3.485 | 247 | 228 | 11/16 |
| 80 | 3QTL100J80 | J | 32.570 | 31.839 | 3C3 | 47/16 | 41/2 | 5 | 71/4 | 1/2 | 33/64 | 3/8 | 33/16 | 3.485 | 287 | 268 | 11/16 |



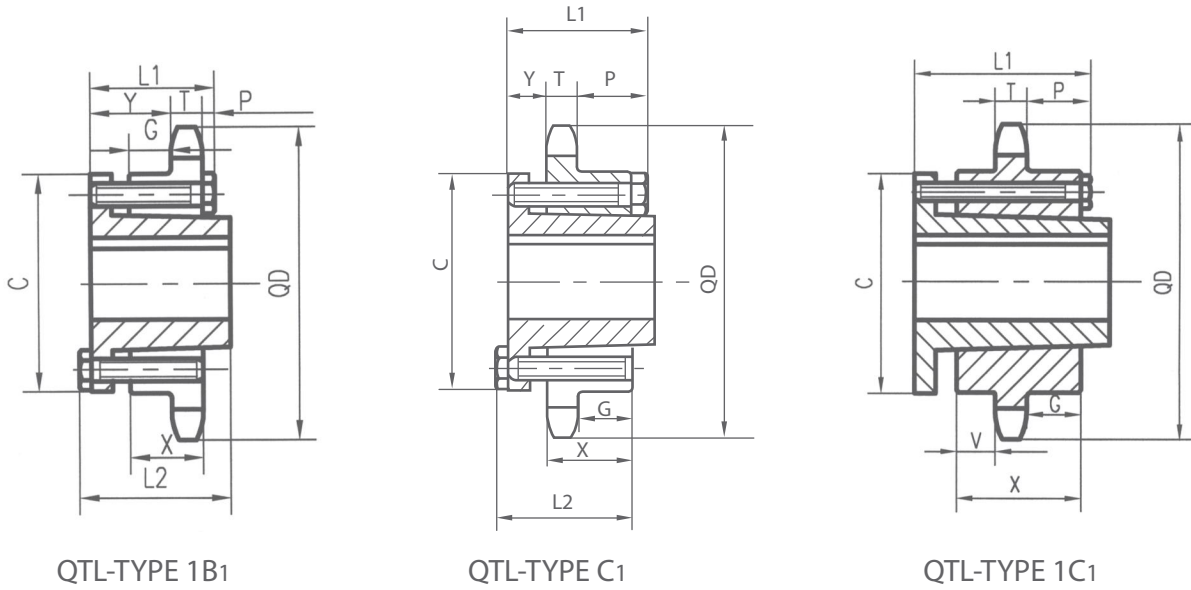
120-1 FOR 1 1/2" PITCH ANSI CHAIN

| TEETH No. | CATALOG NUMBER | BUSH | DIAMETERS | | TYPE | MAX. | DIMENSIONS | | | | | | | WEIGHT (APP.) | | |
|-----------|----------------|------|-----------|--------|------|--------|------------|--------|------|-------|--------|--------|-------|---------------|----------|----------|
| | | | O.D. | P.D. | | | L1 | L2 | C | Y | p | G | X | T | WITH HUB | RIM ONLY |
| 12 | QTL120SF12H | SF | 6.500 | 5.796 | B1 | 215/16 | 21/4 | 21/4 | 45/8 | 15/64 | | 21/64 | 11/4 | 0.924 | 7.7 | 4.7 |
| 13 | QTL120SF13H | SF | 6.990 | 6.268 | B1 | 215/16 | 21/4 | 21/4 | 45/8 | 15/64 | | 21/64 | 11/4 | 0.924 | 9.1 | 6.1 |
| 14 | QTL120SF14H | SF | 7.470 | 6.741 | B1 | 215/16 | 21/4 | 21/4 | 45/8 | 15/64 | | 21/64 | 11/4 | 0.924 | 10.4 | 7.4 |
| 15 | QTL120SF15H | SF | 7.960 | 7.215 | B1 | 215/16 | 21/4 | 21/4 | 45/8 | 15/64 | | 21/64 | 11/4 | 0.924 | 11.8 | 8.8 |
| 16 | QTL120E16H | E | 8.440 | 7.689 | 1B1 | 31/2 | 25/8 | 215/16 | 6 | 19/16 | 1/8 | 45/64 | 15/8 | 0.924 | 21.2 | 11.2 |
| 17 | QTL120E17H | E | 8.920 | 8.163 | 1B1 | 31/2 | 25/8 | 215/16 | 6 | 19/16 | 1/8 | 45/64 | 15/8 | 0.924 | 23.4 | 13.4 |
| 18 | QTL120E18H | E | 9.410 | 8.638 | 1B1 | 31/2 | 25/8 | 215/16 | 6 | 19/16 | 1/8 | 45/64 | 15/8 | 0.924 | 24.8 | 14.8 |
| 19 | QTL120E19H | E | 9.890 | 9.113 | 1B1 | 31/2 | 25/8 | 215/16 | 6 | 19/16 | 1/8 | 45/64 | 15/8 | 0.924 | 26.5 | 16.5 |
| 20 | QTL120E20H | E | 10.370 | 9.589 | 1B1 | 31/2 | 25/8 | 215/16 | 6 | 19/16 | 1/8 | 45/64 | 15/8 | 0.924 | 29.2 | 19.2 |
| 21 | QTL120E21H | E | 10.850 | 10.064 | 1B1 | 31/2 | 25/8 | 215/16 | 6 | 19/16 | 1/8 | 45/64 | 15/8 | 0.924 | 29.9 | 19.9 |
| 22 | QTL120E22H | E | 11.330 | 10.540 | 1B1 | 31/2 | 25/8 | 215/16 | 6 | 19/16 | 1/8 | 45/64 | 15/8 | 0.924 | 31.6 | 21.6 |
| 23 | QTL120E23H | E | 11.810 | 11.016 | 1B1 | 31/2 | 25/8 | 215/16 | 6 | 19/16 | 1/8 | 45/64 | 15/8 | 0.924 | 33.8 | 23.6 |
| 24 | QTL120E24H | E | 12.290 | 11.492 | 1B1 | 31/2 | 25/8 | 215/16 | 6 | 19/16 | 1/8 | 45/64 | 15/8 | 0.924 | 35.8 | 25.8 |
| 25 | QTL120E25H | E | 12.770 | 11.968 | 1B1 | 31/2 | 25/8 | 215/16 | 6 | 19/16 | 1/8 | 45/64 | 15/8 | 0.924 | 38.1 | 28.1 |
| 26 | QTL120E26H | E | 13.250 | 12.444 | 1B1 | 31/2 | 25/8 | 215/16 | 6 | 19/16 | 1/8 | 45/64 | 15/8 | 0.924 | 39.9 | 29.9 |
| 28 | QTL120E28H | E | 14.210 | 13.397 | 1B1 | 31/2 | 25/8 | 215/16 | 6 | 19/16 | 1/8 | 45/64 | 15/8 | 0.924 | 49.7 | 39.9 |
| 30 | QTL120E30H | E | 15.170 | 14.350 | 1B1 | 31/2 | 25/8 | 215/16 | 6 | 19/16 | 1/8 | 45/64 | 15/8 | 0.924 | 54.0 | 44.0 |
| 32 | QTL120F32 | F | 16.130 | 15.303 | C1 | 315/16 | 35/8 | 4 | 65/8 | 1 | 111/16 | 137/64 | 21/2 | 0.924 | 62.0 | 50.5 |
| 35 | QTL120F35 | F | 17.570 | 16.734 | C1 | 315/16 | 35/8 | 4 | 65/8 | 1 | 111/16 | 137/64 | 21/2 | 0.924 | 71.0 | 59.5 |
| 36 | QTL120F36 | F | 18.050 | 17.211 | C1 | 315/16 | 35/8 | 4 | 65/8 | 1 | 111/16 | 137/64 | 21/2 | 0.924 | 74.9 | 63.4 |
| 40 | QTL120F40 | F | 19.960 | 19.118 | C1 | 315/16 | 35/8 | 4 | 65/8 | 1 | 111/16 | 137/64 | 21/2 | 0.924 | 88.5 | 77.0 |
| 42 | QTL120F42 | F | 20.920 | 20.072 | C1 | 315/16 | 35/8 | 4 | 65/8 | 1 | 111/16 | 137/64 | 21/2 | 0.924 | 94.5 | 83.0 |
| 45 | QTL120F45 | F | 22.350 | 21.503 | C1 | 315/16 | 35/8 | 4 | 65/8 | 1 | 111/16 | 137/64 | 21/2 | 0.924 | 95.5 | 84.0 |
| 48 | QTL120F48 | F | 23.790 | 22.935 | C1 | 315/16 | 35/8 | 4 | 65/8 | 1 | 111/16 | 137/64 | 21/2 | 0.924 | 103.5 | 92.0 |
| 54 | QTL120F54 | F | 26.650 | 25.798 | C1 | 315/16 | 35/8 | 4 | 65/8 | 1 | 111/16 | 137/64 | 21/2 | 0.924 | 125 | 114 |
| 60 | QTL120J60 | J | 29.520 | 28.661 | C1 | 47/16 | 41/2 | 5 | 71/4 | 13/16 | 25/16 | 217/64 | 33/16 | 0.924 | 159 | 140 |
| 70 | QTL120J70 | J | 34.300 | 33.434 | C1 | 47/16 | 41/2 | 5 | 71/4 | 13/16 | 25/16 | 217/64 | 33/16 | 0.924 | 196 | 177 |
| 80 | QTL120J80 | J | 39.080 | 38.207 | C1 | 47/16 | 41/2 | 5 | 71/4 | 13/16 | 25/16 | 217/64 | 33/16 | 0.924 | 241 | 222 |



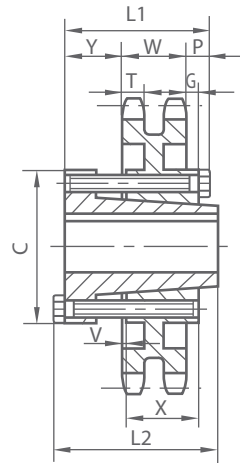
140-1 FOR 1 3/4" PITCH ANSI CHAIN

| TEETH NO. | CATALOG NUMBER | BUSH | DIMENSIONS | | TYPE | MAX. BORE | DIMENSIONS | | | | | | | WEIGHT (APP.) | | DIMENS V | |
|-----------|----------------|------|------------|--------|------|-----------|------------|--------|------|--------|--------|--------|-------|---------------|----------|----------|----------|
| | | | O.D | P.D | | | L1 | L2 | C | Y | P | G | X | W | WITH HUB | | RIM ONLY |
| 11 | QTL140SF11H | SF | 7.01 | 6.212 | B1 | 215/16 | 21/4 | 21/4 | 45/8 | 15/64 | — | 21/64 | 11/4 | 0.924 | 8.6 | 5.6 | |
| 12 | QTL140SF12H | SF | 7.58 | 6.762 | B1 | 215/16 | 21/4 | 21/4 | 45/8 | 15/64 | — | 21/64 | 11/4 | 0.924 | 10.4 | 7.4 | |
| 13 | QTL140SF13H | SF | 8.15 | 7.313 | B1 | 215/16 | 21/4 | 21/4 | 45/8 | 15/64 | — | 21/64 | 11/4 | 0.924 | 11.9 | 8.9 | |
| 14 | QTL140E14H | E | 8.72 | 7.864 | 1B1 | 31/2 | 25/8 | 215/16 | 6 | 19/16 | 1/8 | 45/64 | 15/8 | 0.924 | 21.6 | 11.6 | |
| 15 | QTL140E15H | E | 9.28 | 8.417 | 1B1 | 31/2 | 25/8 | 215/16 | 6 | 19/16 | 1/8 | 45/64 | 15/8 | 0.924 | 24.2 | 14.2 | |
| 16 | QTL140E16H | E | 9.85 | 8.970 | 1B1 | 31/2 | 25/8 | 215/16 | 6 | 19/16 | 1/8 | 45/64 | 15/8 | 0.924 | 25.9 | 15.9 | |
| 17 | QTL140E17H | E | 10.41 | 9.524 | 1B1 | 31/2 | 25/8 | 215/16 | 6 | 19/16 | 1/8 | 45/64 | 15/8 | 0.924 | 28.0 | 18.0 | |
| 18 | QTL140E18H | E | 10.98 | 10.078 | 1B1 | 31/2 | 25/8 | 215/16 | 6 | 19/16 | 1/8 | 45/64 | 15/8 | 0.924 | 29.6 | 19.6 | |
| 19 | QTL140E19H | E | 11.54 | 10.632 | 1B1 | 31/2 | 25/8 | 215/16 | 6 | 19/16 | 1/8 | 45/64 | 15/8 | 0.924 | 32.0 | 22.0 | |
| 20 | QTL140E20H | E | 12.10 | 11.187 | 1B1 | 31/2 | 25/8 | 215/16 | 6 | 19/16 | 1/8 | 45/64 | 15/8 | 0.924 | 34.6 | 24.6 | |
| 21 | QTL140E21H | E | 12.66 | 11.742 | 1B1 | 31/2 | 25/8 | 215/16 | 6 | 19/16 | 1/8 | 45/64 | 15/8 | 0.924 | 37.6 | 27.6 | |
| 22 | QTL140E22H | E | 13.22 | 12.297 | 1B1 | 31/2 | 25/8 | 215/16 | 6 | 19/16 | 1/8 | 45/64 | 15/8 | 0.924 | 39.5 | 29.5 | |
| 23 | QTL140F23H | F | 13.78 | 12.852 | 1B1 | 315/16 | 35/8 | 4 | 65/8 | 29/16 | 1/8 | 137/64 | 21/2 | 0.924 | 48.0 | 36.4 | |
| 24 | QTL140F24H | F | 14.34 | 13.407 | 1B1 | 315/16 | 35/8 | 4 | 65/8 | 29/16 | 1/8 | 137/64 | 21/2 | 0.924 | 51.6 | 40.1 | |
| 25 | QTL140F25H | F | 14.90 | 13.963 | 1B1 | 315/16 | 35/8 | 4 | 65/8 | 29/16 | 1/8 | 137/64 | 21/2 | 0.924 | 53.8 | 42.3 | |
| 26 | QTL140F26 | F | 15.46 | 14.518 | 1B1 | 315/16 | 35/8 | 4 | 65/8 | 29/16 | 1/8 | 137/64 | 21/2 | 0.924 | 58.0 | 46.5 | |
| 30 | QTL140F30 | F | 17.70 | 16.742 | 1B1 | 315/16 | 35/8 | 4 | 65/8 | 29/16 | 1/8 | 137/64 | 21/2 | 0.924 | 72.0 | 60.4 | |
| 35 | QTL140F35 | F | 20.49 | 19.523 | C1 | 315/16 | 35/8 | 4 | 65/8 | 1 | 111/16 | 137/64 | 21/2 | 0.924 | 89.5 | 78.0 | |
| 36 | QTL140F36 | F | 21.05 | 20.079 | C1 | 315/16 | 35/8 | 4 | 65/8 | 1 | 111/16 | 137/64 | 21/2 | 0.924 | 95.5 | 84.0 | |
| 40 | QTL140J40 | J | 23.29 | 22.305 | C1 | 47/16 | 41/2 | 5 | 71/4 | 13/16 | 23/8 | 217/64 | 33/16 | 0.924 | 117 | 98.0 | |
| 45 | QTL140J45 | J | 26.08 | 25.087 | C1 | 47/16 | 41/2 | 5 | 71/4 | 13/16 | 23/8 | 217/64 | 33/16 | 0.924 | 139 | 120 | |
| 48 | QTL140J48 | J | 27.75 | 26.757 | C1 | 47/16 | 41/2 | 5 | 71/4 | 13/16 | 23/8 | 217/64 | 33/16 | 0.924 | 148 | 129 | |
| 54 | QTL140J54 | J | 31.10 | 30.097 | C1 | 47/16 | 41/2 | 5 | 71/4 | 13/16 | 23/8 | 217/64 | 33/16 | 0.924 | 168 | 149 | |
| 60 | QTL140J60 | J | 34.44 | 33.438 | C1 | 47/16 | 41/2 | 5 | 71/4 | 13/16 | 23/8 | 217/64 | 33/16 | 0.924 | 205 | 186 | |
| 70 | QTL140M70 | M | 40.02 | 39.006 | 1C1 | 51/2 | 63/4 | 63/4 | 9 | 229/32 | 229/32 | 217/32 | 53/16 | 0.924 | 301 | 264 | 113/32 |
| 80 | QTL140M80 | M | 45.59 | 44.575 | 1C1 | 51/2 | 63/4 | 63/4 | 9 | 229/32 | 229/32 | 217/32 | 53/16 | 0.924 | 385 | 348 | 113/32 |

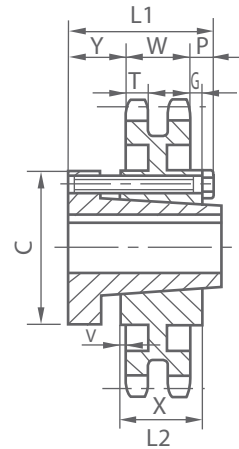


160-1 FOR 2" PITCH ANSI CHAIN

| TEETH NO. | CATALOG NUMBER | BUSH | DIMENSIONS | | TYPE | MAX. BORE | DIMENSIONS | | | | | | | | WEIGHT (APP.) | | DIMENS V |
|-----------|----------------|------|------------|--------|------|-----------|------------|--------|------|--------|--------|--------|-------|-------|---------------|----------|----------|
| | | | O.D | P.D | | | L1 | L2 | C | Y | P | G | X | W | WITH HUB | RIM ONLY | |
| 12 | QTL160E12H | E | 8.660 | 7.727 | 1B1 | 3/16 | 25/8 | 215/16 | 6 | 15/16 | 1/8 | 15/32 | 15/8 | 1.156 | 21.0 | 11 | |
| 13 | QTL160E13H | E | 9.310 | 8.357 | 1B1 | 3/16 | 25/8 | 215/16 | 6 | 15/16 | 1/8 | 15/32 | 15/8 | 1.156 | 24.0 | 14 | |
| 14 | QTL160E14H | E | 9.960 | 8.988 | 1B1 | 3/16 | 25/8 | 215/16 | 6 | 15/16 | 1/8 | 15/32 | 15/8 | 1.156 | 26.0 | 16 | |
| 15 | QTL160F15H | F | 10.610 | 9.620 | 1B1 | 3/16 | 35/8 | 4 | 65/8 | 25/16 | 1/8 | 111/32 | 21/2 | 1.156 | 35.5 | 24 | |
| 16 | QTL160F16H | F | 11.260 | 10.252 | 1B1 | 3/16 | 35/8 | 4 | 65/8 | 25/16 | 1/8 | 111/32 | 21/2 | 1.156 | 38.5 | 27 | |
| 17 | QTL160F17H | F | 11.900 | 10.885 | 1B1 | 3/16 | 35/8 | 4 | 65/8 | 25/16 | 1/8 | 111/32 | 21/2 | 1.156 | 42.5 | 31 | |
| 18 | QTL160F18H | F | 12.540 | 11.518 | 1B1 | 3/16 | 35/8 | 4 | 65/8 | 25/16 | 1/8 | 111/32 | 21/2 | 1.156 | 46.5 | 35 | |
| 19 | QTL160F19H | F | 13.190 | 12.151 | 1B1 | 3/16 | 35/8 | 4 | 65/8 | 25/16 | 1/8 | 111/32 | 21/2 | 1.156 | 49.5 | 38 | |
| 20 | QTL160F20H | F | 13.830 | 12.785 | 1B1 | 3/16 | 35/8 | 4 | 65/8 | 25/16 | 1/8 | 111/32 | 21/2 | 1.156 | 53.5 | 42 | |
| 21 | QTL160F21H | F | 14.740 | 13.419 | 1B1 | 3/16 | 35/8 | 4 | 65/8 | 25/16 | 1/8 | 111/32 | 21/2 | 1.156 | 56.5 | 45 | |
| 22 | QTL160F22H | F | 15.110 | 14.053 | 1B1 | 3/16 | 35/8 | 4 | 65/8 | 25/16 | 1/8 | 111/32 | 21/2 | 1.156 | 62.5 | 51 | |
| 23 | QTL160F23H | F | 15.750 | 14.688 | 1B1 | 3/16 | 35/8 | 4 | 65/8 | 25/16 | 1/8 | 111/32 | 21/2 | 1.156 | 66.5 | 55 | |
| 24 | QTL160F24H | F | 16.390 | 15.323 | 1B1 | 3/16 | 35/8 | 4 | 65/8 | 25/16 | 1/8 | 111/32 | 21/2 | 1.156 | 70.5 | 59 | |
| 25 | QTL160F25H | F | 17.030 | 15.958 | 1B1 | 3/16 | 35/8 | 4 | 65/8 | 25/16 | 1/8 | 111/32 | 21/2 | 1.156 | 75.5 | 61 | |
| 26 | QTL160J26 | J | 17.670 | 16.593 | C1 | 4/16 | 41/2 | 5 | 71/4 | 13/16 | 21/8 | 21/32 | 33/16 | 1.156 | 92.5 | 74 | |
| 28 | QTL160J28 | J | 18.950 | 17.863 | C1 | 4/16 | 41/2 | 5 | 71/4 | 13/16 | 21/8 | 21/32 | 33/16 | 1.156 | 103 | 84 | |
| 30 | QTL160J30 | J | 20.230 | 19.134 | C1 | 4/16 | 41/2 | 5 | 71/4 | 13/16 | 21/8 | 21/32 | 33/16 | 1.156 | 115 | 96 | |
| 35 | QTL160J35 | J | 23.420 | 22.312 | C1 | 4/16 | 41/2 | 5 | 71/4 | 13/16 | 21/8 | 21/32 | 33/16 | 1.156 | 135 | 116 | |
| 40 | QTL160M40 | M | 26.610 | 25.491 | 1C1 | 5/16 | 63/4 | 63/4 | 9 | 211/16 | 211/16 | 213/32 | 53/16 | 1.156 | 211 | 174 | 119/32 |
| 45 | QTL160M45 | M | 29.800 | 28.671 | 1C1 | 5/16 | 63/4 | 63/4 | 9 | 211/16 | 211/16 | 213/32 | 53/16 | 1.156 | 245 | 208 | 119/32 |
| 54 | QTL160M54 | M | 35.540 | 34.397 | 1C1 | 5/16 | 63/4 | 63/4 | 9 | 211/16 | 211/16 | 213/32 | 53/16 | 1.156 | 299 | 262 | 119/32 |
| 60 | QTL160M60 | M | 39.360 | 38.215 | 1C1 | 5/16 | 63/4 | 63/4 | 9 | 211/16 | 211/16 | 213/32 | 53/16 | 1.156 | 347 | 310 | 119/32 |
| 70 | QTL160M70 | M | 45.730 | 44.578 | 1C1 | 5/16 | 63/4 | 63/4 | 9 | 211/16 | 211/16 | 213/32 | 53/16 | 1.156 | 468 | 431 | 119/32 |
| 80 | QTL160M80 | M | 52.100 | 50.943 | 1C1 | 5/16 | 63/4 | 63/4 | 9 | 211/16 | 211/16 | 213/32 | 53/16 | 1.156 | 567 | 530 | 119/32 |



QTL-TYPE 5C2



QTL-TYPE 6C2

120-2 FOR 1 1/2" PITCH ANSI CHAIN

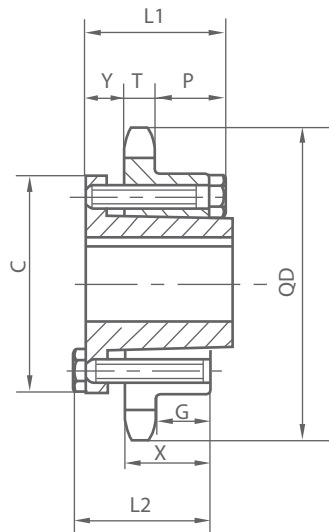
| TEETH NO. | CATALOG NUMBER | BUSH | DIMENSIONS | | TYPE | MAX. BORE | DIMENSIONS | | | | | | | | WEIGHT (APP.) | | DIMENS V |
|-----------|----------------|------|------------|--------|------|-----------|------------|-------|-------|-------|--------|--------|-------|-------|---------------|----------|----------|
| | | | O.D | P.D | | | L1 | L2 | C | Y | P | G | X | W | WITH HUB | RIM ONLY | |
| 30 | 2QTL120J30 | J | 15.170 | 14.350 | 5C2 | 47/16 | 4 1/2 | 5 | 7 1/4 | 11/32 | 25/32 | 21/32 | 33/16 | 2.683 | 97.5 | 78.0 | 5/32 |
| 35 | 2QTL120J35 | J | 17.570 | 16.734 | 5C2 | 47/16 | 4 1/2 | 5 | 7 1/4 | 11/32 | 25/32 | 21/32 | 33/16 | 2.683 | 112 | 93.0 | 5/32 |
| 45 | 2QTL120J45 | J | 22.350 | 21.502 | 5C2 | 47/16 | 4 1/2 | 5 | 7 1/4 | 11/32 | 25/32 | 21/32 | 33/16 | 2.683 | 157 | 138 | 5/32 |
| 60 | 2QTL120M60 | M | 29.520 | 28.661 | 6C2 | 5 1/2 | 6 3/4 | 6 3/4 | 9 | 29/32 | 125/32 | 121/32 | 53/16 | 2.683 | 271 | 234 | 27/32 |

140-2 FOR 1 3/4" PITCH ANSI CHAIN

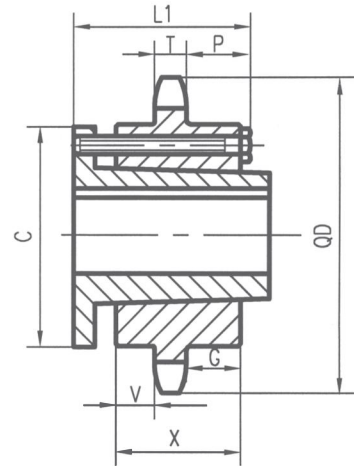
| TEETH NO. | CATALOG NUMBER | BUSH | DIMENSIONS | | TYPE | MAX. BORE | DIMENSIONS | | | | | | | | WEIGHT (APP.) | | DIMENS V |
|-----------|----------------|------|------------|--------|------|-----------|------------|-------|-------|-------|--------|--------|-------|-------|---------------|----------|----------|
| | | | O.D | P.D | | | L1 | L2 | C | Y | P | G | X | W | WITH HUB | RIM ONLY | |
| 35 | 2QTL140J35 | J | 20.490 | 19.523 | 5C2 | 47/16 | 4 1/2 | 5 | 7 1/4 | 31/32 | 23/32 | 19/32 | 33/16 | 2.818 | 137 | 128 | 7/32 |
| 45 | 2QTL140J45 | J | 26.080 | 25.087 | 5C2 | 47/16 | 4 1/2 | 5 | 7 1/4 | 31/32 | 23/32 | 19/32 | 33/16 | 2.818 | 195 | 176 | 7/32 |
| 60 | 2QTL140M60 | M | 34.440 | 33.438 | 6C2 | 5 1/2 | 6 3/4 | 6 3/4 | 9 | 27/32 | 123/32 | 119/32 | 53/16 | 2.818 | 339 | 302 | 25/32 |

160-2 FOR 2" PITCH ANSI CHAIN

| TEETH NO. | CATALOG NUMBER | BUSH | DIMENSIONS | | TYPE | MAX. BORE | DIMENSIONS | | | | | | | | WEIGHT (APP.) | | DIMENS V |
|-----------|----------------|------|------------|--------|------|-----------|------------|-------|----|--------|--------|-------|-------|-------|---------------|----------|----------|
| | | | O.D | P.D | | | L1 | L2 | C | Y | P | G | X | W | WITH HUB | RIM ONLY | |
| 35 | 2QTL160M35 | M | 23.420 | 22.312 | 6C2 | 5 1/2 | 6 3/4 | 6 3/4 | 9 | 23/64 | 19/32 | 15/32 | 53/16 | 3.424 | 259 | 222 | 36/64 |
| 45 | 2QTL160N45 | N | 29.800 | 28.671 | 6C2 | 57/8 | 8 1/8 | 8 1/8 | 10 | 211/32 | 223/64 | 25/32 | 61/4 | 3.424 | 377 | 340 | 21/32 |
| 60 | 2QTL160N60 | N | 39.360 | 38.215 | 6C2 | 57/8 | 8 1/8 | 8 1/8 | 10 | 211/32 | 223/64 | 25/32 | 61/4 | 3.424 | 509 | 472 | 21/32 |



QTL-TYPE C1



QTL-TYPE 1C1

200-1 FOR 2 1/2" PITCH ANSI CHAIN

| TEETH NO. | CATALOG NUMBER | BUSH | DIMENSIONS | | TYPE | MAX. BORE | DIMENSIONS | | | | | | | | WEIGHT (APP.) | | DIMENS V |
|-----------|----------------|------|------------|--------|------|-----------|------------|-------|------|--------|--------|--------|-------|-------|---------------|----------|----------|
| | | | O.D | P.D | | | L1 | L2 | C | Y | P | G | X | W | WITH HUB | RIM ONLY | |
| 12 | QTL200F12 | F | 10.830 | 9.660 | C1 | 315/16 | 35/8 | 4 | 65/8 | 1 | 15/16 | 11/8 | 21/2 | 1.389 | 25.5 | 24 | |
| 13 | QTL200J13 | J | 11.640 | 10.447 | C1 | 47/16 | 41/2 | 5 | 71/4 | 13/16 | 2 | 113/16 | 33/16 | 1.389 | 50.5 | 32 | |
| 14 | QTL200J14 | J | 12.460 | 11.235 | C1 | 47/16 | 41/2 | 5 | 71/4 | 13/16 | 2 | 113/16 | 33/16 | 1.389 | 57.5 | 39 | |
| 15 | QTL200J15 | J | 13.260 | 12.025 | C1 | 47/16 | 41/2 | 5 | 71/4 | 13/16 | 2 | 113/16 | 33/16 | 1.389 | 62.5 | 44 | |
| 16 | QTL200J16 | J | 14.070 | 12.815 | C1 | 47/16 | 41/2 | 5 | 71/4 | 13/16 | 2 | 113/16 | 33/16 | 1.389 | 68.5 | 50 | |
| 17 | QTL200M17 | M | 14.870 | 13.605 | 1C1 | 51/2 | 63/4 | 6 3/4 | 9 | 223/32 | 223/32 | 25/16 | 53/16 | 1.389 | 113 | 76 | 11/2 |
| 18 | QTL200M18 | M | 15.680 | 14.397 | 1C1 | 51/2 | 63/4 | 6 3/4 | 9 | 223/32 | 223/32 | 25/16 | 53/16 | 1.389 | 119 | 82 | 11/2 |
| 19 | QTL200M19 | M | 16.480 | 15.910 | 1C1 | 51/2 | 63/4 | 6 3/4 | 9 | 223/32 | 223/32 | 25/16 | 53/16 | 1.389 | 125 | 88 | 11/2 |
| 20 | QTL200M20 | M | 17.290 | 15.982 | 1C1 | 51/2 | 63/4 | 6 3/4 | 9 | 223/32 | 223/32 | 25/16 | 53/16 | 1.389 | 134 | 97 | 11/2 |
| 21 | QTL200M21 | M | 18.090 | 16.775 | 1C1 | 51/2 | 63/4 | 6 3/4 | 9 | 223/32 | 223/32 | 25/16 | 53/16 | 1.389 | 140 | 103 | 11/2 |
| 22 | QTL200M22 | M | 18.890 | 17.567 | 1C1 | 51/2 | 63/4 | 6 3/4 | 9 | 223/32 | 223/32 | 25/16 | 53/16 | 1.389 | 149 | 112 | 11/2 |
| 23 | QTL200M23 | M | 19.690 | 18.360 | 1C1 | 51/2 | 63/4 | 6 3/4 | 9 | 223/32 | 223/32 | 25/16 | 53/16 | 1.389 | 157 | 120 | 11/2 |
| 24 | QTL200M24 | M | 20.490 | 19.152 | 1C1 | 51/2 | 63/4 | 6 3/4 | 9 | 223/32 | 223/32 | 25/16 | 53/16 | 1.389 | 168 | 131 | 11/2 |
| 25 | QTL200M25 | M | 21.290 | 19.947 | 1C1 | 51/2 | 63/4 | 6 3/4 | 9 | 223/32 | 223/32 | 25/16 | 53/16 | 1.389 | 175 | 138 | 11/2 |
| 26 | QTL200M26 | M | 22.090 | 20.740 | 1C1 | 51/2 | 63/4 | 6 3/4 | 9 | 223/32 | 223/32 | 25/16 | 53/16 | 1.389 | 185 | 148 | 11/2 |
| 28 | QTL200M28 | M | 23.690 | 22.330 | 1C1 | 51/2 | 63/4 | 6 3/4 | 9 | 223/32 | 223/32 | 25/16 | 53/16 | 1.389 | 205 | 168 | 11/2 |
| 30 | QTL200M30 | M | 25.290 | 23.917 | 1C1 | 51/2 | 63/4 | 6 3/4 | 9 | 223/32 | 223/32 | 25/16 | 53/16 | 1.389 | 227 | 190 | 11/2 |
| 32 | QTL200M32 | M | 26.880 | 25.505 | 1C1 | 51/2 | 63/4 | 6 3/4 | 9 | 223/32 | 223/32 | 25/16 | 53/16 | 1.389 | 251 | 214 | 11/2 |
| 35 | QTL200M35 | M | 29.280 | 27.890 | 1C1 | 51/2 | 63/4 | 6 3/4 | 9 | 223/32 | 223/32 | 25/16 | 53/16 | 1.389 | 265 | 228 | 11/2 |
| 40 | QTL200M40 | M | 33.270 | 31.865 | 1C1 | 51/2 | 63/4 | 6 3/4 | 9 | 223/32 | 223/32 | 25/16 | 53/16 | 1.389 | 315 | 278 | 11/2 |
| 45 | QTL200N45 | N | 37.250 | 35.840 | 1C1 | 57/8 | 81/8 | 8 1/8 | 10 | 313/32 | 313/32 | 33/16 | 61/4 | 1.389 | 405 | 348 | 111/16 |
| 54 | QTL200N54 | N | 44.420 | 42.995 | 1C1 | 57/8 | 81/8 | 8 1/8 | 10 | 313/32 | 313/32 | 33/16 | 61/4 | 1.389 | 535 | 478 | 111/16 |
| 60 | QTL200N60 | N | 49.200 | 47.767 | 1C1 | 57/8 | 81/8 | 8 1/8 | 10 | 313/32 | 313/32 | 33/16 | 61/4 | 1.389 | 665 | 608 | 111/16 |



New Standard Power Transmission

**T_{aper}
B_{ore}** *Sprockets*

STL

NSPT Complete series of "TL" TB Sprockets and matching "TL" bushings
(Pitch from 3/8"-2 1/2", bushings from G-U2.)



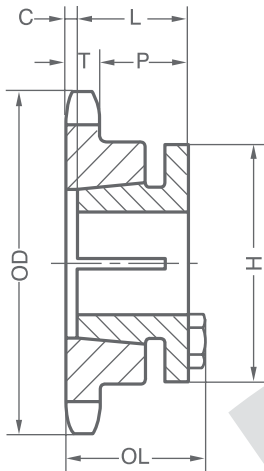
STL TB sprockets have adopted commercial packaging, which can be labeled under customers' names.



Complete series of STL (G-U2) bushes are in-stock items that can be supplied immediately.

**T_{aper}
B_{ore}** Sprockets

STL

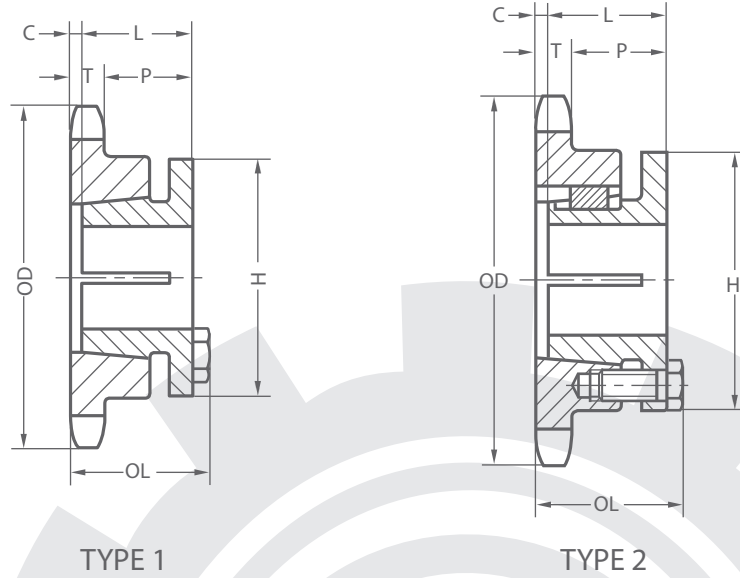


TYPE 1



35-1 FOR 3/8" PITCH

| Teeth No. | Catalog | Type | DIAMETERS | | Bushing | Dimensions | | | | | | wt Less Bushing |
|-----------|-----------|------|-----------|--------|---------|------------|--------|------|-------|------|------|-----------------|
| | | | O.D. | P.D. | | T | OL | L | P | C | H | |
| 15 | STL35G15H | 1 | 1.99 | 1.804 | G | 0.168 | 111/32 | 1 | 1 | 5/32 | 2 | 0.3 |
| 16 | STL35G16H | 1 | 2.10 | 1.922 | G | 0.168 | 111/32 | 1 | 1 | 5/32 | 2 | 0.3 |
| 17 | STL35G17H | 1 | 2.23 | 2.041 | G | 0.168 | 111/32 | 1 | 1 | 5/32 | 2 | 0.3 |
| 18 | STL35G18H | 1 | 2.35 | 2.159 | G | 0.168 | 111/32 | 1 | 1 | 5/32 | 2 | 0.3 |
| 19 | STL35G19H | 1 | 2.47 | 2.278 | G | 0.168 | 11/4 | 1 | 29/32 | 1/16 | 2 | 0.3 |
| 19 | STL35H19H | 1 | 2.47 | 2.278 | H | 0.168 | 11/2 | 11/4 | 15/32 | 1/16 | 21/2 | 0.5 |
| 20 | STL35H20H | 1 | 2.59 | 2.397 | H | 0.168 | 11/2 | 11/4 | 15/32 | 1/16 | 21/2 | 0.5 |
| 21 | STL35H21H | 1 | 2.70 | 2.516 | H | 0.168 | 11/2 | 11/4 | 15/32 | 1/16 | 21/2 | 0.6 |
| 22 | STL35H22H | 1 | 2.83 | 2.635 | H | 0.168 | 11/2 | 11/4 | 15/32 | 1/16 | 21/2 | 0.7 |
| 23 | STL35H23H | 1 | 2.95 | 2.754 | H | 0.168 | 11/2 | 11/4 | 15/32 | 1/16 | 21/2 | 0.7 |
| 24 | STL35H24H | 1 | 3.05 | 2.873 | H | 0.168 | 11/2 | 11/4 | 15/32 | 1/16 | 21/2 | 0.8 |
| 25 | STL35H25H | 1 | 3.19 | 2.992 | H | 0.168 | 11/2 | 11/4 | 15/32 | 1/16 | 21/2 | 0.8 |
| 26 | STL35H26H | 1 | 3.31 | 3.111 | H | 0.168 | 11/2 | 11/4 | 15/32 | 1/16 | 21/2 | 0.8 |
| 28 | STL35H28H | 1 | 3.55 | 3.349 | H | 0.168 | 11/2 | 11/4 | 15/32 | 1/16 | 21/2 | 0.9 |
| 30 | STL35H30H | 1 | 3.79 | 3.588 | H | 0.168 | 11/2 | 11/4 | 15/32 | 1/16 | 21/2 | 0.9 |
| 32 | STL35H32H | 1 | 4.03 | 3.826 | H | 0.168 | 11/2 | 11/4 | 15/32 | 1/16 | 21/2 | 0.9 |
| 35 | STL35H35H | 1 | 4.39 | 4.183 | H | 0.168 | 11/2 | 11/4 | 15/32 | 1/16 | 21/2 | 1.0 |
| 36 | STL35H36H | 1 | 4.51 | 4.303 | H | 0.168 | 11/2 | 11/4 | 15/32 | 1/16 | 21/2 | 1.0 |
| 40 | STL35H40H | 1 | 4.99 | 4.780 | H | 0.168 | 11/2 | 11/4 | 15/32 | 1/16 | 21/2 | 1.2 |
| 42 | STL35H42H | 1 | 5.23 | 5.018 | H | 0.168 | 11/2 | 11/4 | 15/32 | 1/16 | 21/2 | 1.2 |
| 45 | STL35H45H | 1 | 5.59 | 5.379 | H | 0.168 | 11/2 | 11/4 | 15/32 | 1/16 | 21/2 | 1.4 |
| 48 | STL35H48H | 1 | 5.95 | 5.734 | H | 0.168 | 11/2 | 11/4 | 15/32 | 1/16 | 21/2 | 1.5 |
| 54 | STL35H54H | 1 | 6.66 | 6.449 | H | 0.168 | 11/2 | 11/4 | 15/32 | 1/16 | 21/2 | 1.8 |
| 60 | STL35H60H | 1 | 7.38 | 7.165 | H | 0.168 | 11/2 | 11/4 | 15/32 | 1/16 | 21/2 | 2.3 |
| 70 | STL35H70 | 1 | 8.58 | 8.358 | H | 0.168 | 11/2 | 11/4 | 15/32 | 1/16 | 21/2 | 2.8 |
| 72 | STL35H72 | 1 | 8.81 | 8.597 | H | 0.168 | 11/2 | 11/4 | 15/32 | 1/16 | 21/2 | 3.0 |
| 80 | STL35H80 | 1 | 9.77 | 9.552 | H | 0.168 | 11/2 | 11/4 | 15/32 | 1/16 | 21/2 | 3.8 |
| 84 | STL35H84 | 1 | 10.25 | 10.029 | H | 0.168 | 11/2 | 11/4 | 15/32 | 1/16 | 21/2 | 4.0 |
| 96 | STL35H96 | 1 | 11.68 | 11.461 | H | 0.168 | 11/2 | 11/4 | 15/32 | 1/16 | 21/2 | 5.3 |
| 112 | STL35H112 | 1 | 13.59 | 13.371 | H | 0.168 | 11/2 | 11/4 | 15/32 | 1/16 | 21/2 | 6.8 |

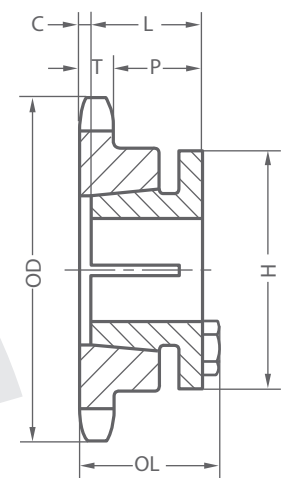


41-1 FOR 1/2" PITCH

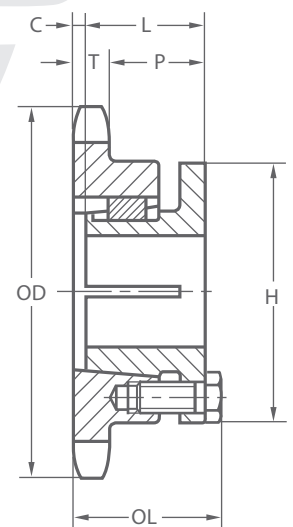
| TEETH NO. | Catalog | Type | DIAMETERS | | Bushing | Dimensions | | | | | | wt Less Bushing |
|-----------|-----------|------|-----------|--------|---------|------------|-------|--------|--------|-------|-------|-----------------|
| | | | O.D. | P.D. | | T | OL | L | P | C | H | |
| 12 | STL41G12 | 1 | 2.17 | 1.932 | G | 0.227 | 17/16 | 1 | 11/32 | 0.258 | 2 | 0.3 |
| 14 | STL41G14 | 1 | 2.49 | 2.247 | G | 0.227 | 17/16 | 1 | 11/32 | 0.258 | 2 | 0.4 |
| 15 | STL41H15 | 1 | 2.65 | 2.405 | H | 0.227 | 1 1/2 | 1 1/4 | 13/32 | 0.071 | 2 1/2 | 0.5 |
| 16 | STL41H16 | 1 | 2.80 | 2.653 | H | 0.227 | 1 1/2 | 1 1/4 | 13/32 | 0.071 | 2 1/2 | 0.5 |
| 17 | STL41H17 | 1 | 2.96 | 2.721 | H | 0.227 | 1 1/2 | 1 1/4 | 13/32 | 0.071 | 2 1/2 | 0.6 |
| 18 | STL41H18 | 1 | 3.14 | 2.879 | H | 0.227 | 1 1/2 | 1 1/4 | 13/32 | 0.071 | 2 1/2 | 0.7 |
| 19 | STL41H19 | 1 | 3.30 | 3.038 | H | 0.227 | 1 1/2 | 1 1/4 | 13/32 | 0.071 | 2 1/2 | 0.8 |
| 20 | STL41H20 | 1 | 3.45 | 3.196 | H | 0.227 | 1 1/2 | 1 1/4 | 13/32 | 0.071 | 2 1/2 | 0.8 |
| 21 | STL41H21 | 1 | 3.62 | 3.355 | H | 0.227 | 1 1/2 | 1 1/4 | 13/32 | 0.071 | 2 1/2 | 0.9 |
| 22 | STL41H22 | 1 | 3.75 | 3.513 | H | 0.227 | 1 1/2 | 1 1/4 | 13/32 | 0.071 | 2 1/2 | 0.9 |
| 23 | STL41H23 | 1 | 3.94 | 3.672 | H | 0.227 | 1 1/2 | 1 1/4 | 13/32 | 0.071 | 2 1/2 | 1.0 |
| 24 | STL41H24 | 1 | 4.10 | 3.831 | H | 0.227 | 1 1/2 | 1 1/4 | 13/32 | 0.071 | 2 1/2 | 1.1 |
| 25 | STL41H25 | 1 | 4.26 | 3.989 | H | 0.227 | 1 1/2 | 1 1/4 | 13/32 | 0.071 | 2 1/2 | 1.1 |
| 26 | STL41H26 | 1 | 4.42 | 4.158 | H | 0.227 | 1 1/2 | 1 1/4 | 13/32 | 0.071 | 2 1/2 | 1.1 |
| 27 | STL41H27 | 1 | 4.58 | 4.307 | H | 0.227 | 1 1/2 | 1 1/4 | 13/32 | 0.071 | 2 1/2 | 1.1 |
| 28 | STL41H28 | 1 | 4.70 | 4.466 | H | 0.227 | 1 1/2 | 1 1/4 | 13/32 | 0.071 | 2 1/2 | 1.2 |
| 30 | STL41H30 | 1 | 5.06 | 4.783 | H | 0.227 | 1 1/2 | 1 1/4 | 13/32 | 0.071 | 2 1/2 | 1.3 |
| 32 | STL41H32 | 1 | 5.38 | 5.101 | H | 0.227 | 1 1/2 | 1 1/4 | 13/32 | 0.071 | 2 1/2 | 1.5 |
| 35 | STL41H35 | 1 | 5.86 | 5.578 | H | 0.227 | 1 1/2 | 1 1/4 | 13/32 | 0.071 | 2 1/2 | 1.8 |
| 36 | STL41P36 | 2 | 6.02 | 5.737 | P1 | 0.227 | 23/16 | 115/16 | 123/32 | — | 3 | 2.5 |
| 40 | STL41P40 | 2 | 6.55 | 6.373 | P1 | 0.227 | 23/16 | 115/16 | 123/32 | — | 3 | 3.0 |
| 42 | STL41P42 | 2 | 6.97 | 6.691 | P1 | 0.227 | 23/16 | 115/16 | 123/32 | — | 3 | 3.1 |
| 45 | STL41P45 | 2 | 7.45 | 7.168 | P1 | 0.227 | 23/16 | 115/16 | 123/32 | — | 3 | 3.5 |
| 48 | STL41P48 | 2 | 7.93 | 7.645 | P1 | 0.227 | 23/16 | 115/16 | 123/32 | — | 3 | 4.0 |
| 54 | STL41P54 | 2 | 8.89 | 8.599 | P1 | 0.227 | 23/16 | 115/16 | 123/32 | — | 3 | 4.6 |
| 60 | STL41P60 | 2 | 9.84 | 9.554 | P1 | 0.227 | 23/16 | 115/16 | 123/32 | — | 3 | 5.5 |
| 70 | STL41P70 | 2 | 11.43 | 11.145 | P1 | 0.227 | 23/16 | 115/16 | 123/32 | — | 3 | 7.0 |
| 72 | STL41P72 | 2 | 11.75 | 11.463 | P1 | 0.227 | 23/16 | 115/16 | 123/32 | — | 3 | 7.9 |
| 80 | STL41P80 | 2 | 13.03 | 12.736 | P1 | 0.227 | 23/16 | 115/16 | 123/32 | — | 3 | 9.3 |
| 84 | STL41P84 | 2 | 13.66 | 13.372 | P1 | 0.227 | 23/16 | 115/16 | 123/32 | — | 3 | 9.7 |
| 96 | STL41P96 | 2 | 15.57 | 15.281 | P1 | 0.227 | 23/16 | 115/16 | 123/32 | — | 3 | 13.0 |
| 112 | STL41P112 | 2 | 18.12 | 17.828 | P1 | 0.227 | 23/16 | 115/16 | 123/32 | — | 3 | 18.0 |

40-1 FOR 3/4" PITCH

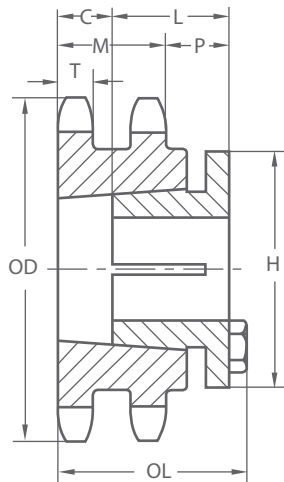
| EETH NO. | Catalog | Type | Diameters | | Bushing | Dimensions | | | | | | wt Less Bushing |
|-------------|-----------|------|-----------|--------|---------|------------|---------|---------|---------|------|-------|-----------------------|
| | | | O.D | P.D | | T | OL | L | P | C | H | |
| 12 | STL40G12H | 1 | 2.17 | 1.932 | G | 0.284 | 1 1/2 | 1 | 1 1/32 | 5/16 | 2 | 0.3 |
| 13 | STL40G13H | 1 | 2.30 | 2.089 | G | 0.284 | 1 1/2 | 1 | 1 1/32 | 5/16 | 2 | 0.4 |
| 14 | STL40G14H | 1 | 2.49 | 2.247 | G | 0.284 | 1 1/2 | 1 | 1 1/32 | 5/16 | 2 | 0.5 |
| 15 | STL40H15H | 1 | 2.65 | 2.405 | H | 0.284 | 1 19/32 | 1 1/4 | 1 1/8 | 5/32 | 2 1/2 | 0.5 |
| 16 | STL40G16H | 1 | 2.80 | 2.563 | G | 0.284 | 1 1/4 | 1 | 25/32 | 1/16 | 2 | 0.4 |
| 16 | STL40H16H | 1 | 2.80 | 2.563 | H | 0.284 | 1 19/32 | 1 1/4 | 1 1/8 | 5/32 | 2 1/2 | 0.6 |
| 17 | STL40H17H | 1 | 2.96 | 2.721 | H | 0.284 | 1 1/2 | 1 1/4 | 1 1/32 | 1/16 | 2 1/2 | 0.6 |
| 18 | STL40H18H | 1 | 3.14 | 2.879 | H | 0.284 | 1 1/2 | 1 1/4 | 1 1/32 | 1/16 | 2 1/2 | 0.7 |
| 18 | STL40P18H | 2 | 3.14 | 2.879 | P1 | 0.284 | 23/16 | 1 15/16 | 1 21/32 | — | 3 | 1.2 |
| 19 | STL40P19H | 2 | 3.30 | 3.038 | P1 | 0.284 | 23/16 | 1 15/16 | 1 21/32 | — | 3 | 1.3 |
| 19 | STL40H19H | 1 | 3.30 | 3.038 | H | 0.284 | 1 1/2 | 1 1/4 | 1 1/32 | 1/16 | 2 1/2 | 0.8 |
| 20 | STL40H20H | 1 | 3.45 | 3.196 | H | 0.284 | 1 1/2 | 1 1/4 | 1 1/32 | 1/16 | 2 1/2 | 0.8 |
| 20 | STL40P20H | 2 | 3.45 | 3.196 | P1 | 0.284 | 23/16 | 1 15/16 | 1 21/32 | — | 3 | 1.3 |
| 21 | STL40H21H | 1 | 3.62 | 3.355 | H | 0.284 | 1 1/2 | 1 1/4 | 1 1/32 | 1/16 | 2 1/2 | 0.9 |
| 21 | STL40P21H | 2 | 3.62 | 3.355 | P1 | 0.284 | 23/16 | 1 15/16 | 1 21/32 | — | 3 | 1.5 |
| 22 | STL40H22H | 1 | 3.75 | 3.513 | H | 0.284 | 1 1/2 | 1 1/4 | 1 1/32 | 1/16 | 2 1/2 | 0.9 |
| 22 | STL40P22H | 2 | 3.75 | 3.513 | P1 | 0.284 | 23/16 | 1 15/16 | 1 21/32 | — | 3 | 0.6 |
| 23 | STL40H23H | 1 | 3.94 | 3.672 | H | 0.284 | 1 1/2 | 1 1/4 | 1 1/32 | 1/16 | 2 1/2 | 1.0 |
| 23 | STL40P23H | 2 | 3.94 | 3.672 | P1 | 0.284 | 23/16 | 1 15/16 | 1 21/32 | — | 3 | 1.7 |
| 24 | STL40H24H | 1 | 4.10 | 3.831 | H | 0.284 | 1 1/2 | 1 1/4 | 1 1/32 | 1/16 | 2 1/2 | 1.2 |
| 24 | STL40P24H | 2 | 4.10 | 3.831 | P1 | 0.284 | 23/16 | 1 15/16 | 1 21/32 | — | 3 | 1.8 |
| 25 | STL40H25H | 1 | 4.26 | 3.989 | H | 0.284 | 1 1/2 | 1 1/4 | 1 1/32 | 1/16 | 2 1/2 | 1.3 |
| 25 | STL40P25H | 2 | 4.26 | 3.989 | P1 | 0.284 | 23/16 | 1 15/16 | 1 21/32 | — | 3 | 2.0 |
| 26 | STL40H26H | 1 | 4.42 | 4.148 | H | 0.284 | 1 1/2 | 1 1/4 | 1 1/32 | 1/16 | 2 1/2 | 1.4 |
| 26 | STL40P26H | 2 | 4.42 | 4.148 | P1 | 0.284 | 23/16 | 1 15/16 | 1 21/32 | — | 3 | 2.0 |
| 27 | STL40H27H | 1 | 4.58 | 4.307 | H | 0.284 | 1 1/2 | 1 1/4 | 1 1/32 | 1/16 | 2 1/2 | 1.4 |
| 27 | STL40P27H | 2 | 4.58 | 4.307 | P1 | 0.284 | 23/16 | 1 15/16 | 1 21/32 | — | 3 | 2.1 |
| 28 | STL40H28H | 1 | 4.74 | 4.466 | H | 0.284 | 1 1/2 | 1 1/4 | 1 1/32 | 1/16 | 2 1/2 | 1.5 |
| 28 | STL40P28H | 2 | 4.74 | 4.466 | P1 | 0.284 | 23/16 | 1 15/16 | 1 21/32 | — | 3 | 2.2 |
| 29 | STL40P29H | 2 | 4.90 | 4.625 | P1 | 0.284 | 23/16 | 1 15/16 | 1 21/32 | — | 3 | 2.3 |
| 30 | STL40H30H | 1 | 5.06 | 4.783 | H | 0.284 | 1 1/2 | 1 1/4 | 1 1/32 | 1/16 | 2 1/2 | 1.6 |
| 30 | STL40P30H | 2 | 5.06 | 4.783 | P1 | 0.284 | 23/16 | 1 15/16 | 1 21/32 | — | 3 | 2.4 |
| 31 | STL40P31H | 2 | 5.22 | 4.942 | P1 | 0.284 | 23/16 | 1 15/16 | 1 21/32 | — | 3 | 2.5 |
| 32 | STL40P32H | 2 | 5.38 | 5.101 | P1 | 0.284 | 23/16 | 1 15/16 | 1 21/32 | — | 3 | 2.6 |
| 33 | STL40P33H | 2 | 5.54 | 5.26 | P1 | 0.284 | 23/16 | 1 15/16 | 1 21/32 | — | 3 | 2.6 |
| 34 | STL40P34H | 2 | 5.70 | 5.419 | P1 | 0.284 | 23/16 | 1 15/16 | 1 21/32 | — | 3 | 2.8 |
| 35 | STL40P35H | 2 | 5.86 | 5.578 | P1 | 0.284 | 23/16 | 1 15/16 | 1 21/32 | — | 3 | 2.9 |
| 36 | STL40P36H | 2 | 6.02 | 5.737 | P1 | 0.284 | 23/16 | 1 15/16 | 1 21/32 | — | 3 | 3.1 |
| 37 | STL40P37H | 2 | 6.18 | 5.896 | P1 | 0.284 | 23/16 | 1 15/16 | 1 21/32 | — | 3 | 3.3 |
| 38 | STL40P38H | 2 | 6.33 | 6.055 | P1 | 0.284 | 23/16 | 1 15/16 | 1 21/32 | — | 3 | 3.3 |
| 40 | STL40P40H | 2 | 6.65 | 6.373 | P1 | 0.284 | 23/16 | 1 15/16 | 1 21/32 | — | 3 | 3.5 |
| 41 | STL40P41H | 2 | 6.81 | 6.532 | P1 | 0.284 | 23/16 | 1 15/16 | 1 21/32 | — | 3 | 3.6 |
| 42 | STL40P42H | 2 | 6.97 | 6.691 | P1 | 0.284 | 23/16 | 1 15/16 | 1 21/32 | — | 3 | 3.9 |
| 44 | STL40P44H | 2 | 7.29 | 7.009 | P1 | 0.284 | 23/16 | 1 15/16 | 1 21/32 | — | 3 | 4.0 |
| 45 | STL40P45H | 2 | 7.45 | 7.168 | P1 | 0.284 | 23/16 | 1 15/16 | 1 21/32 | — | 3 | 4.2 |
| 47 | STL40P47H | 2 | 7.77 | 7.486 | P1 | 0.284 | 23/16 | 1 15/16 | 1 21/32 | — | 3 | 4.6 |
| 48 | STL40P48H | 2 | 7.93 | 7.645 | P1 | 0.284 | 23/16 | 1 15/16 | 1 21/32 | — | 3 | 4.8 |
| 50 | STL40P50 | 2 | 8.25 | 7.963 | P1 | 0.284 | 23/16 | 1 15/16 | 1 21/32 | — | 3 | 5.0 |
| 54 | STL40P54 | 2 | 8.89 | 8.599 | P1 | 0.284 | 23/16 | 1 15/16 | 1 21/32 | — | 3 | 5.5 |
| 56 | STL40P56 | 2 | 9.20 | 8.917 | P1 | 0.284 | 23/16 | 1 15/16 | 1 21/32 | — | 3 | 5.9 |
| 60 | STL40P60 | 2 | 9.84 | 9.554 | P1 | 0.284 | 23/16 | 1 15/16 | 1 21/32 | — | 3 | 6.6 |
| 60 | STL40Q60 | 2 | 9.84 | 9.554 | Q1 | 0.284 | 2 25/32 | 2 1/2 | 2 7/32 | — | 4 1/8 | 8.8 |
| 70 | STL40P70 | 2 | 11.43 | 11.145 | P1 | 0.284 | 23/16 | 1 15/16 | 1 21/32 | — | 3 | 8.6 |
| 70 | STL40Q70 | 2 | 11.43 | 11.145 | Q1 | 0.284 | 2 25/32 | 2 1/2 | 2 7/32 | — | 4 1/8 | 11.0 |
| 72 | STL40Q72 | 2 | 11.75 | 11.463 | Q1 | 0.284 | 2 25/32 | 2 1/2 | 2 7/32 | — | 4 1/8 | 11.2 |
| 80 | STL40Q80 | 2 | 13.03 | 12.736 | Q1 | 0.284 | 2 25/32 | 2 1/2 | 2 7/32 | — | 4 1/8 | 13.1 |
| 84 | STL40Q84 | 2 | 13.66 | 13.372 | Q1 | 0.284 | 2 25/32 | 2 1/2 | 2 7/32 | — | 4 1/8 | 14.1 |
| 96 | STL40Q96 | 2 | 15.57 | 15.281 | Q1 | 0.284 | 2 25/32 | 2 1/2 | 2 7/32 | — | 4 1/8 | 17.3 |
| 12 | STL40Q112 | 2 | 18.12 | 17.828 | Q1 | 0.284 | 2 25/32 | 2 1/2 | 2 7/32 | — | 4 1/8 | 22.8 |



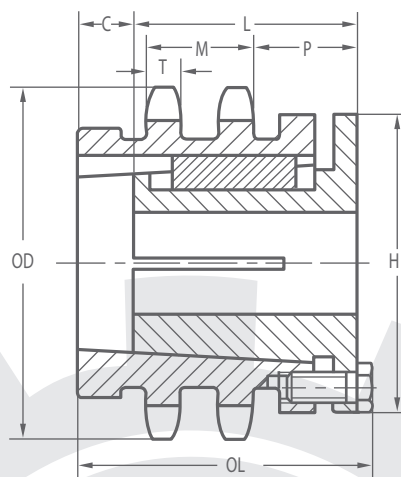
TYPE 1



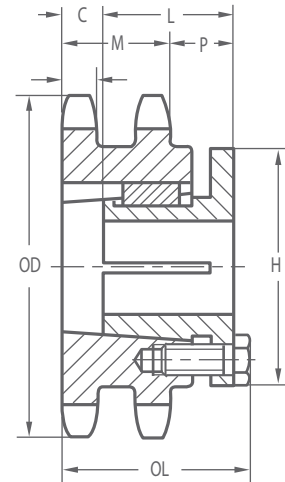
TYPE 2



TYPE 4



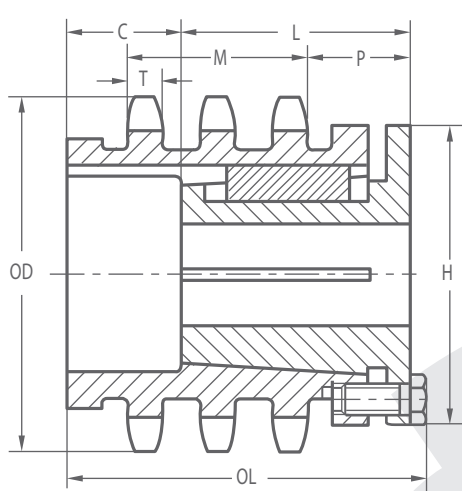
TYPE 3



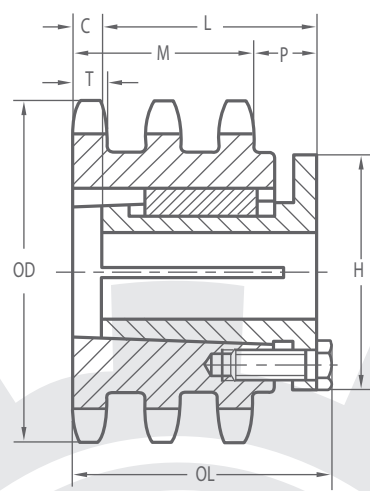
TYPE 5

40-2 FOR 1/2" PITCH

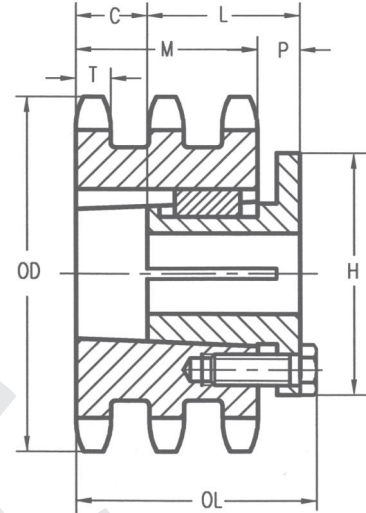
| TEETH NO. | Catalog | Type | Diameters | | Bushing | Dimensions | | | | | | wt Less Bushing |
|-----------|-------------|------|-----------|--------|---------|------------|---------|---------|---------|-------|-------|-----------------|
| | | | O.D. | P.D. | | T | OL | L | P | C | H | |
| 15 | STL-D40H15H | 4 | 2.65 | 2.405 | H | 0.275 | 25/32 | 1 1/4 | 1 1/8 | 23/32 | 2 1/2 | 0.9 |
| 16 | STL-D40H16H | 4 | 2.80 | 2.563 | H | 0.275 | 25/32 | 1 1/4 | 1 1/8 | 23/32 | 2 1/2 | 1.0 |
| 17 | STL-D40H17H | 4 | 2.96 | 2.721 | H | 0.275 | 25/32 | 1 1/4 | 1 1/8 | 23/32 | 2 1/2 | 1.1 |
| 18 | STL-D40P18H | 3 | 3.14 | 2.879 | P1 | 0.275 | 33/16 | 1 15/16 | 1 3/8 | 1 | 3 | 1.8 |
| 19 | STL-D40P19H | 5 | 3.30 | 3.039 | P1 | 0.275 | 2 15/32 | 1 15/16 | 1 3/8 | 9/32 | 3 | 1.4 |
| 20 | STL-D40P20H | 5 | 3.45 | 3.196 | P1 | 0.275 | 2 13/32 | 1 15/16 | 1 3/8 | 1/4 | 3 | 1.6 |
| 21 | STL-D40P21H | 5 | 3.62 | 3.355 | P1 | 0.275 | 2 13/32 | 1 15/16 | 1 3/8 | 1/4 | 3 | 1.8 |
| 22 | STL-D40P22H | 5 | 3.75 | 3.513 | P1 | 0.275 | 2 13/32 | 1 15/16 | 1 3/8 | 1/4 | 3 | 2.0 |
| 23 | STL-D40P23H | 5 | 3.94 | 3.672 | P1 | 0.275 | 2 3/16 | 1 15/16 | 1 3/32 | — | 3 | 2.0 |
| 24 | STL-D40P24H | 5 | 4.10 | 3.831 | P1 | 0.275 | 2 3/16 | 1 15/16 | 1 3/32 | — | 3 | 2.2 |
| 25 | STL-D40P25H | 5 | 4.26 | 3.989 | P1 | 0.275 | 2 3/16 | 1 15/16 | 1 3/32 | — | 3 | 2.5 |
| 26 | STL-D40P26H | 5 | 4.42 | 4.148 | P1 | 0.275 | 2 3/16 | 1 15/16 | 1 3/32 | — | 3 | 2.7 |
| 28 | STL-D40P28H | 5 | 4.70 | 4.466 | P1 | 0.275 | 2 3/16 | 1 15/16 | 1 3/32 | — | 3 | 3.1 |
| 30 | STL-D40Q30H | 5 | 5.06 | 4.783 | Q1 | 0.275 | 2 25/32 | 2 1/2 | 1 21/32 | — | 4 1/8 | 4.2 |
| 32 | STL-D40Q32H | 5 | 5.38 | 5.101 | Q1 | 0.275 | 2 25/32 | 2 1/2 | 1 21/32 | — | 4 1/8 | 5.3 |
| 35 | STL-D40Q35H | 5 | 5.86 | 5.578 | Q1 | 0.275 | 2 25/32 | 2 1/2 | 1 21/32 | — | 4 1/8 | 6.1 |
| 36 | STL-D40Q36H | 5 | 6.02 | 5.737 | Q1 | 0.275 | 2 25/32 | 2 1/2 | 1 21/32 | — | 4 1/8 | 6.5 |
| 40 | STL-D40Q40H | 5 | 6.65 | 6.373 | Q1 | 0.275 | 2 25/32 | 2 1/2 | 1 21/32 | — | 4 1/8 | 7.9 |
| 42 | STL-D40Q42H | 5 | 6.97 | 6.691 | Q1 | 0.275 | 2 25/32 | 2 1/2 | 1 21/32 | — | 4 1/8 | 8.9 |
| 45 | STL-D40Q45H | 5 | 7.45 | 7.168 | Q1 | 0.275 | 2 25/32 | 2 1/2 | 1 21/32 | — | 4 1/8 | 10.1 |
| 48 | STL-D40Q48H | 5 | 7.93 | 7.645 | Q1 | 0.275 | 2 25/32 | 2 1/2 | 1 21/32 | — | 4 1/8 | 11.8 |
| 52 | STL-D40Q52 | 5 | 8.57 | 8.281 | Q1 | 0.275 | 2 25/32 | 2 1/2 | 1 21/32 | — | 4 1/8 | 12.6 |
| 54 | STL-D40Q54 | 5 | 8.89 | 8.599 | Q1 | 0.275 | 2 25/32 | 2 1/2 | 1 21/32 | — | 4 1/8 | 14.3 |
| 60 | STL-D40Q60 | 5 | 9.84 | 9.554 | Q1 | 0.275 | 2 25/32 | 2 1/2 | 1 21/32 | — | 4 1/8 | 17.4 |
| 68 | STL-D40Q68 | 5 | 11.12 | 10.826 | Q1 | 0.275 | 2 25/32 | 2 1/2 | 1 21/32 | — | 4 1/8 | 21.5 |
| 72 | STL-D40Q72 | 5 | 11.75 | 11.463 | Q1 | 0.275 | 2 25/32 | 2 1/2 | 1 21/32 | — | 4 1/8 | 25.0 |
| 76 | STL-D40Q76 | 5 | 12.39 | 12.099 | Q1 | 0.275 | 2 25/32 | 2 1/2 | 1 21/32 | — | 4 1/8 | 26.9 |
| 84 | STL-D40Q84 | 5 | 13.66 | 13.372 | Q1 | 0.275 | 2 25/32 | 2 1/2 | 1 21/32 | — | 4 1/8 | 34.1 |
| 95 | STL-D40Q95 | 5 | 15.41 | 15.122 | Q1 | 0.275 | 2 25/32 | 2 1/2 | 1 21/32 | — | 4 1/8 | 42.0 |
| 96 | STL-D40Q96 | 5 | 15.57 | 15.281 | Q1 | 0.275 | 2 25/32 | 2 1/2 | 1 21/32 | — | 4 1/8 | 44.1 |
| 102 | STL-D40Q102 | 5 | 16.53 | 16.236 | Q1 | 0.275 | 2 25/32 | 2 1/2 | 1 21/32 | — | 4 1/8 | 48.5 |
| 112 | STL-D40Q112 | 5 | 18.12 | 17.828 | Q1 | 0.275 | 2 25/32 | 2 1/2 | 1 21/32 | — | 4 1/8 | 61.0 |



TYPE 8



TYPE 6



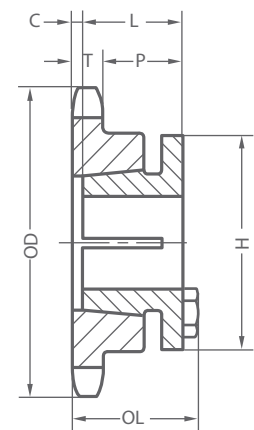
TYPE 7

40-3 FOR 1/2" PITCH

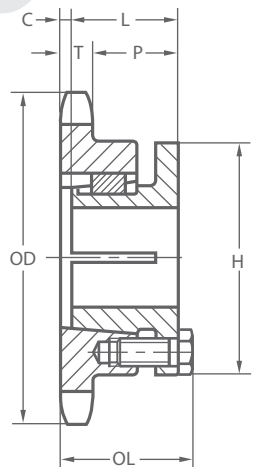
| TEETH NO. | Catalog | Type | Diameters | | Bushing | Dimensions | | | | | | wt Less Bushing |
|--------------|-------------|------|-----------|--------|---------|------------|--------|--------|-------|-------|------|-----------------------|
| | | | O.D. | P.D. | | T | OL | L | P | C | H | |
| 18 | STL-T40P18H | 8 | 3.14 | 2.879 | P1 | 0.275 | 33/4 | 115/16 | 13/8 | 19/16 | 3 | 1.9 |
| 19 | STL-T40P19H | 6 | 3.30 | 3.038 | P1 | 0.275 | 31/32 | 115/16 | 13/8 | 27/32 | 3 | 1.8 |
| 20 | STL-T40P20H | 6 | 3.46 | 3.196 | P1 | 0.275 | 231/32 | 115/16 | 15/16 | 25/32 | 3 | 2.0 |
| 23 | STL-T40P23H | 7 | 3.94 | 3.672 | P1 | 0.275 | 29/32 | 115/16 | 5/8 | 3/32 | 3 | 2.3 |
| 24 | STL-T40P24H | 7 | 4.10 | 3.831 | P1 | 0.275 | 29/32 | 115/16 | 5/8 | 3/32 | 3 | 2.6 |
| 25 | STL-T40P25H | 7 | 4.26 | 3.989 | P1 | 0.275 | 29/32 | 115/16 | 5/8 | 3/32 | 3 | 3.0 |
| 27 | STL-T40P27H | 7 | 4.58 | 4.307 | P1 | 0.275 | 29/32 | 115/16 | 5/8 | 3/32 | 3 | 3.3 |
| 30 | STL-T40Q30H | 6 | 5.06 | 4.783 | Q1 | 0.275 | 225/32 | 21/2 | 13/32 | — | 41/8 | 4.5 |
| 35 | STL-T40Q35H | 6 | 5.86 | 5.578 | Q1 | 0.275 | 225/32 | 21/2 | 13/32 | — | 41/8 | 6.9 |
| 36 | STL-T40Q36H | 6 | 6.02 | 5.737 | Q1 | 0.275 | 225/32 | 21/2 | 13/32 | — | 41/8 | 7.6 |
| 42 | STL-T40Q42H | 6 | 6.97 | 6.691 | Q1 | 0.275 | 225/32 | 21/2 | 13/32 | — | 41/8 | 11.1 |
| 48 | STL-T40Q48H | 6 | 7.93 | 7.645 | Q1 | 0.275 | 225/32 | 21/2 | 13/32 | — | 41/8 | 15.2 |
| 52 | STL-T40Q52 | 6 | 8.57 | 8.281 | Q1 | 0.275 | 225/32 | 21/2 | 13/32 | — | 41/8 | 18.7 |
| 54 | STL-T40Q54 | 6 | 8.89 | 8.599 | Q1 | 0.275 | 225/32 | 21/2 | 13/32 | — | 41/8 | 19.9 |
| 60 | STL-T40Q60 | 6 | 9.84 | 9.554 | Q1 | 0.275 | 225/32 | 21/2 | 13/32 | — | 41/8 | 25.3 |
| 68 | STL-T40Q68 | 6 | 11.12 | 10.826 | Q1 | 0.275 | 225/32 | 21/2 | 13/32 | — | 41/8 | 33.5 |
| 72 | STL-T40Q72 | 6 | 11.75 | 11.463 | Q1 | 0.275 | 225/32 | 21/2 | 13/32 | — | 41/8 | 37.9 |
| 76 | STL-T40Q76 | 6 | 12.39 | 12.099 | Q1 | 0.275 | 225/32 | 21/2 | 13/32 | — | 41/8 | 42.5 |
| 84 | STL-T40Q84 | 6 | 13.66 | 13.372 | Q1 | 0.275 | 225/32 | 21/2 | 13/32 | — | 41/8 | 52.4 |
| 95 | STL-T40Q95 | 6 | 15.41 | 15.122 | Q1 | 0.275 | 225/32 | 21/2 | 13/32 | — | 41/8 | 67.9 |
| 102 | STL-T40Q102 | 6 | 16.53 | 16.236 | Q1 | 0.275 | 225/32 | 21/2 | 13/32 | — | 41/8 | 78.5 |

50-1 FOR 5/8" PITCH

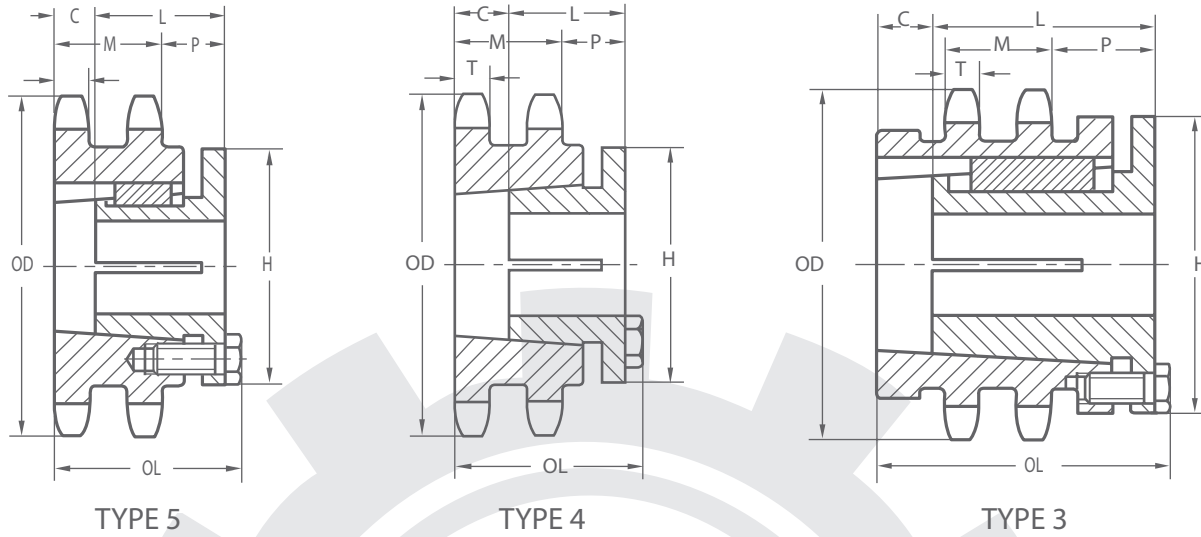
| TEETH NO. | Catalog | Type | Diameters | | Bushing | Dimensions | | | | | | wt Less Bushing |
|-----------|-----------|------|-----------|--------|---------|------------|--------|--------|--------|-------|-------|-----------------|
| | | | O.D. | P.D. | | T | OL | L | P | C | H | |
| 11 | STL50G11H | 1 | 2.50 | 2.219 | G | 0.343 | 119/32 | 1 | 11/16 | 13/32 | 2 | 0.5 |
| 12 | STL50G12H | 1 | 2.70 | 2.415 | G | 0.343 | 119/32 | 1 | 11/16 | 13/32 | 2 | 0.5 |
| 13 | STL50H13H | 1 | 2.91 | 2.612 | H | 0.343 | 121/32 | 1 1/4 | 1 1/8 | 7/32 | 2 1/2 | 0.6 |
| 14 | STL50H14H | 1 | 3.11 | 2.809 | H | 0.343 | 119/32 | 1 1/4 | 1 1/16 | 5/32 | 2 1/2 | 0.6 |
| 15 | STL50H15H | 1 | 3.32 | 3.006 | H | 0.343 | 1 1/2 | 1 1/4 | 31/32 | 1/16 | 2 1/2 | 0.8 |
| 15 | STL50P15H | 2 | 3.32 | 3.006 | P1 | 0.343 | 23/16 | 115/16 | 119/32 | — | 3 | 1.1 |
| 16 | STL50H16H | 1 | 3.52 | 3.204 | H | 0.343 | 1 1/2 | 1 1/4 | 31/32 | 1/16 | 2 1/2 | 0.9 |
| 16 | STL50P16H | 2 | 3.52 | 3.204 | P1 | 0.343 | 23/16 | 115/16 | 119/32 | — | 3 | 1.3 |
| 17 | STL50H17H | 1 | 3.72 | 3.401 | H | 0.343 | 1 1/2 | 1 1/4 | 31/32 | 1/16 | 2 1/2 | 1.0 |
| 17 | STL50P17H | 2 | 3.72 | 3.401 | P1 | 0.343 | 23/16 | 115/16 | 119/32 | — | 3 | 1.4 |
| 18 | STL50H18H | 1 | 3.92 | 3.599 | H | 0.343 | 1 1/2 | 1 1/4 | 31/32 | 1/16 | 2 1/2 | 1.0 |
| 18 | STL50P18H | 2 | 3.92 | 3.599 | P1 | 0.343 | 23/16 | 115/16 | 119/32 | — | 3 | 1.6 |
| 19 | STL50H19H | 1 | 4.12 | 3.797 | H | 0.343 | 1 1/2 | 1 1/4 | 31/32 | 1/16 | 2 1/2 | 1.1 |
| 19 | STL50P19H | 2 | 4.12 | 3.797 | P1 | 0.343 | 23/16 | 115/16 | 119/32 | — | 3 | 1.8 |
| 20 | STL50H20H | 1 | 4.32 | 3.995 | H | 0.343 | 1 1/2 | 1 1/4 | 31/32 | 1/16 | 2 1/2 | 1.5 |
| 20 | STL50P20H | 2 | 4.32 | 3.995 | P1 | 0.343 | 23/16 | 115/16 | 119/32 | — | 3 | 2.0 |
| 21 | STL50P21H | 2 | 4.52 | 4.194 | P1 | 0.343 | 23/16 | 115/16 | 119/32 | — | 3 | 2.1 |
| 22 | STL50P22H | 2 | 4.70 | 4.392 | P1 | 0.343 | 23/16 | 115/16 | 119/32 | — | 3 | 2.3 |
| 23 | STL50P23H | 2 | 4.92 | 4.590 | P1 | 0.343 | 23/16 | 115/16 | 119/32 | — | 3 | 2.4 |
| 23 | STL50Q23H | 2 | 4.92 | 4.590 | Q1 | 0.343 | 225/32 | 2 1/2 | 25/32 | — | 4 1/8 | 3.4 |
| 24 | STL50P24H | 2 | 5.12 | 4.788 | P1 | 0.343 | 23/16 | 115/16 | 119/32 | — | 3 | 2.5 |
| 24 | STL50Q24H | 2 | 5.12 | 4.788 | Q | 0.343 | 225/32 | 2 1/2 | 25/32 | — | 4 1/8 | 3.4 |
| 25 | STL50P25H | 2 | 5.32 | 4.987 | P1 | 0.343 | 23/16 | 115/16 | 119/32 | — | 3 | 2.6 |
| 25 | STL50Q25H | 2 | 5.32 | 4.987 | Q1 | 0.343 | 225/32 | 2 1/2 | 25/32 | — | 4 1/8 | 3.7 |
| 26 | STL50P26H | 2 | 5.52 | 5.185 | P1 | 0.343 | 23/16 | 115/16 | 119/32 | — | 3 | 2.9 |
| 26 | STL50Q26H | 2 | 5.52 | 5.185 | Q1 | 0.343 | 225/32 | 2 1/2 | 25/32 | — | 4 1/8 | 3.8 |
| 27 | STL50P27H | 2 | 5.72 | 5.384 | P1 | 0.343 | 23/16 | 115/16 | 119/32 | — | 3 | 3.0 |
| 27 | STL50Q27H | 2 | 5.72 | 5.384 | Q1 | 0.343 | 225/32 | 2 1/2 | 25/32 | — | 4 1/8 | 3.9 |
| 28 | STL50P28H | 2 | 5.92 | 5.582 | P1 | 0.343 | 23/16 | 115/16 | 119/32 | — | 3 | 3.2 |
| 28 | STL50Q28H | 2 | 5.92 | 5.582 | Q1 | 0.343 | 225/32 | 2 1/2 | 25/32 | — | 4 1/8 | 4.0 |
| 29 | STL50P29H | 2 | 6.12 | 5.781 | P1 | 0.343 | 23/16 | 115/16 | 119/32 | — | 3 | 3.3 |
| 30 | STL50P30H | 2 | 6.32 | 5.979 | P1 | 0.343 | 23/16 | 115/16 | 119/32 | — | 3 | 3.5 |
| 30 | STL50Q30H | 2 | 6.32 | 5.979 | Q1 | 0.343 | 225/32 | 2 1/2 | 25/32 | — | 4 1/8 | 5.6 |
| 31 | STL50P31H | 2 | 6.52 | 6.178 | P1 | 0.343 | 23/16 | 115/16 | 119/32 | — | 3 | 3.6 |
| 32 | STL50P32H | 2 | 6.72 | 6.376 | P1 | 0.343 | 23/16 | 115/16 | 119/32 | — | 3 | 3.9 |
| 32 | STL50Q32H | 2 | 6.72 | 6.376 | Q1 | 0.343 | 225/32 | 2 1/2 | 25/32 | — | 4 1/8 | 6.1 |
| 33 | STL50P33H | 2 | 6.92 | 6.575 | P1 | 0.343 | 23/16 | 115/16 | 119/32 | — | 3 | 4.1 |
| 34 | STL50P34H | 2 | 7.12 | 6.774 | P1 | 0.343 | 23/16 | 115/16 | 119/32 | — | 3 | 4.3 |
| 35 | STL50P35H | 2 | 7.32 | 6.972 | P1 | 0.343 | 23/16 | 115/16 | 119/32 | — | 3 | 4.3 |
| 35 | STL50Q35H | 2 | 7.32 | 6.972 | Q1 | 0.343 | 225/32 | 2 1/2 | 25/32 | — | 4 1/8 | 6.8 |
| 36 | STL50P36H | 2 | 7.52 | 7.171 | P1 | 0.343 | 23/16 | 115/16 | 119/32 | — | 3 | 4.8 |
| 36 | STL50Q36H | 2 | 7.52 | 7.171 | Q1 | 0.343 | 225/32 | 2 1/2 | 25/32 | — | 4 1/8 | 6.8 |
| 37 | STL50Q37H | 2 | 7.72 | 7.370 | Q1 | 0.343 | 225/32 | 2 1/2 | 25/32 | — | 4 1/8 | 7.0 |
| 38 | STL50Q38H | 2 | 7.92 | 7.569 | Q1 | 0.343 | 225/32 | 2 1/2 | 25/32 | — | 4 1/8 | 7.4 |
| 39 | STL50Q39H | 2 | 8.12 | 7.767 | Q1 | 0.343 | 225/32 | 2 1/2 | 25/32 | — | 4 1/8 | 7.6 |
| 40 | STL50Q40H | 2 | 8.32 | 7.966 | Q1 | 0.343 | 225/32 | 2 1/2 | 25/32 | — | 4 1/8 | 8.0 |
| 41 | STL50Q41 | 2 | 8.52 | 8.165 | Q1 | 0.343 | 225/32 | 2 1/2 | 25/32 | — | 4 1/8 | 8.2 |
| 42 | STL50Q42 | 2 | 8.72 | 8.363 | Q1 | 0.343 | 225/32 | 2 1/2 | 25/32 | — | 4 1/8 | 8.3 |
| 44 | STL50Q44 | 2 | 9.11 | 8.761 | Q1 | 0.343 | 225/32 | 2 1/2 | 25/32 | — | 4 1/8 | 8.6 |
| 45 | STL50Q45 | 2 | 9.31 | 8.960 | Q1 | 0.343 | 225/32 | 2 1/2 | 25/32 | — | 4 1/8 | 9.0 |
| 47 | STL50Q47 | 2 | 9.71 | 9.357 | Q1 | 0.343 | 225/32 | 2 1/2 | 25/32 | — | 4 1/8 | 9.3 |
| 48 | STL50Q48 | 2 | 9.91 | 9.556 | Q1 | 0.343 | 225/32 | 2 1/2 | 25/32 | — | 4 1/8 | 9.6 |
| 50 | STL50Q50 | 2 | 10.31 | 9.954 | Q1 | 0.343 | 225/32 | 2 1/2 | 25/32 | — | 4 1/8 | 9.8 |
| 54 | STL50Q54 | 2 | 11.11 | 10.749 | Q1 | 0.343 | 235/32 | 2 1/2 | 25/32 | — | 4 1/8 | 11.3 |
| 56 | STL50Q56 | 2 | 11.50 | 11.147 | Q1 | 0.343 | 225/32 | 2 1/2 | 25/32 | — | 4 1/8 | 12.3 |
| 60 | STL50Q60 | 2 | 12.30 | 11.942 | Q1 | 0.343 | 225/32 | 2 1/2 | 25/32 | — | 4 1/8 | 13.3 |
| 70 | STL50Q70 | 2 | 14.29 | 13.931 | Q1 | 0.343 | 225/32 | 2 1/2 | 25/32 | — | 4 1/8 | 16.9 |
| 72 | STL50Q72 | 2 | 14.69 | 14.329 | Q1 | 0.343 | 225/32 | 2 1/2 | 25/32 | — | 4 1/8 | 18.1 |
| 80 | STL50Q80 | 2 | 16.28 | 15.920 | Q1 | 0.343 | 225/32 | 2 1/2 | 25/32 | — | 4 1/8 | 21.1 |
| 84 | STL50Q84 | 2 | 17.08 | 16.715 | Q1 | 0.343 | 225/32 | 2 1/2 | 25/32 | — | 4 1/8 | 24.3 |
| 96 | STL50Q96 | 2 | 19.47 | 19.102 | Q1 | 0.343 | 225/32 | 2 1/2 | 25/32 | — | 4 1/8 | 29.8 |
| 112 | STL50Q112 | 2 | 22.65 | 22.285 | Q1 | 0.343 | 225/32 | 2 1/2 | 25/32 | — | 4 1/8 | 39.3 |



TYPE 1

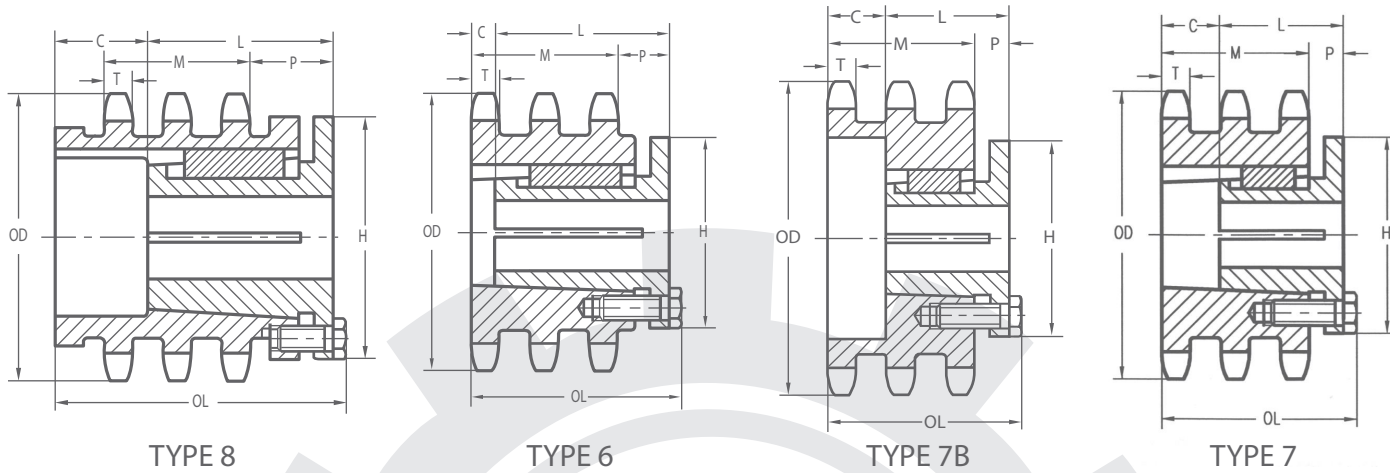


TYPE 2



50-2 FOR 5/8" PITCH

| TEETH NO. | Catalog | Type | Diameters | | Bushing | Dimensions | | | | | | wt Less Bushing |
|-----------|-------------|------|-----------|--------|---------|------------|---------|---------|---------|-------|-------|-----------------|
| | | | O.D. | P.D. | | T | OL | L | P | C | H | |
| 14 | STL-D50H14H | 4 | 3.11 | 2.809 | H | 0.332 | 25/16 | 1 1/4 | 13/32 | 7/8 | 2 1/2 | 1.2 |
| 15 | STL-D50P15H | 3 | 3.32 | 3.006 | P1 | 0.332 | 37/16 | 1 15/16 | 1 13/32 | 1 1/4 | 3 | 2.0 |
| 16 | STL-D50P16H | 5 | 3.52 | 3.204 | P1 | 0.332 | 2 11/16 | 1 15/16 | 1 13/32 | 1/2 | 3 | 1.6 |
| 17 | STL-D50P17H | 5 | 3.72 | 3.401 | P1 | 0.332 | 2 11/16 | 1 15/16 | 1 13/32 | 1/2 | 3 | 2.1 |
| 18 | STL-D50P18H | 5 | 3.92 | 3.599 | P1 | 0.332 | 2 11/16 | 1 15/16 | 1 13/32 | 1/2 | 3 | 2.5 |
| 19 | STL-D50P19H | 5 | 4.12 | 3.797 | P1 | 0.332 | 23/16 | 1 15/16 | 29/32 | — | 3 | 2.0 |
| 20 | STL-D50P20H | 5 | 4.32 | 3.995 | P1 | 0.332 | 23/16 | 1 15/16 | 29/32 | — | 3 | 2.5 |
| 21 | STL-D50P21H | 5 | 4.52 | 4.194 | P1 | 0.332 | 23/16 | 1 15/16 | 29/32 | — | 3 | 2.8 |
| 22 | STL-D50P22H | 5 | 4.70 | 4.392 | P1 | 0.332 | 23/16 | 1 15/16 | 29/32 | — | 3 | 3.2 |
| 23 | STL-D50P23H | 5 | 4.92 | 4.590 | P1 | 0.332 | 23/16 | 1 15/16 | 29/32 | — | 3 | 3.6 |
| 24 | STL-D50Q24H | 5 | 5.12 | 4.788 | Q1 | 0.332 | 225/32 | 2 1/2 | 1 15/32 | — | 4 1/8 | 4.0 |
| 25 | STL-D50Q25H | 5 | 5.32 | 4.987 | Q1 | 0.332 | 225/32 | 2 1/2 | 1 15/32 | — | 4 1/8 | 4.5 |
| 26 | STL-D50Q26H | 5 | 5.52 | 5.185 | Q1 | 0.332 | 225/32 | 2 1/2 | 1 15/32 | — | 4 1/8 | 5.3 |
| 27 | STL-D50Q27H | 5 | 5.72 | 5.384 | Q1 | 0.332 | 225/32 | 2 1/2 | 1 15/32 | — | 4 1/8 | 5.9 |
| 28 | STL-D50Q28H | 5 | 5.92 | 5.582 | Q1 | 0.332 | 225/32 | 2 1/2 | 1 15/32 | — | 4 1/8 | 6.3 |
| 30 | STL-D50Q30H | 5 | 6.32 | 5.979 | Q1 | 0.332 | 225/32 | 2 1/2 | 1 15/32 | — | 4 1/8 | 7.5 |
| 32 | STL-D50Q32H | 5 | 6.72 | 6.376 | Q1 | 0.332 | 225/32 | 2 1/2 | 1 15/32 | — | 4 1/8 | 8.5 |
| 35 | STL-D50Q35H | 5 | 7.32 | 6.972 | Q1 | 0.332 | 225/32 | 2 1/2 | 1 15/32 | — | 4 1/8 | 10.4 |
| 36 | STL-D50Q36H | 5 | 7.52 | 7.171 | Q1 | 0.332 | 225/32 | 2 1/2 | 1 15/32 | — | 4 1/8 | 11.0 |
| 40 | STL-D50Q40H | 5 | 8.32 | 7.966 | Q1 | 0.332 | 225/32 | 2 1/2 | 1 15/32 | — | 4 1/8 | 13.6 |
| 42 | STL-D50Q42 | 5 | 8.72 | 8.363 | Q1 | 0.332 | 225/32 | 2 1/2 | 1 15/32 | — | 4 1/8 | 15.0 |
| 45 | STL-D50Q45 | 5 | 9.31 | 8.960 | Q1 | 0.332 | 225/32 | 2 1/2 | 1 15/32 | — | 4 1/8 | 17.5 |
| 48 | STL-D50Q48 | 5 | 9.91 | 9.556 | Q1 | 0.332 | 225/32 | 2 1/2 | 1 15/32 | — | 4 1/8 | 20.4 |
| 52 | STL-D50Q52 | 5 | 10.71 | 10.351 | Q1 | 0.332 | 225/32 | 2 1/2 | 1 15/32 | — | 4 1/8 | 23.3 |
| 54 | STL-D50Q54 | 5 | 11.11 | 10.749 | Q1 | 0.332 | 225/32 | 2 1/2 | 1 15/32 | — | 4 1/8 | 24.2 |
| 60 | STL-D50Q60 | 5 | 12.30 | 11.942 | Q1 | 0.332 | 225/32 | 2 1/2 | 1 15/32 | — | 4 1/8 | 25.5 |
| 72 | STL-D50Q72 | 5 | 14.69 | 14.329 | Q1 | 0.332 | 225/32 | 2 1/2 | 1 15/32 | — | 4 1/8 | 43.1 |
| 76 | STL-D50Q76 | 5 | 15.49 | 15.124 | Q1 | 0.332 | 225/32 | 2 1/2 | 1 15/32 | — | 4 1/8 | 46.0 |
| 84 | STL-D50Q84 | 5 | 17.08 | 16.715 | Q1 | 0.332 | 225/32 | 2 1/2 | 1 15/32 | — | 4 1/8 | 57.6 |
| 95 | STL-D50R95 | 5 | 19.27 | 18.903 | R1 | 0.332 | 35/32 | 27/8 | 23/32 | — | 53/8 | 72.3 |
| 96 | STL-D50R96 | 5 | 19.47 | 19.102 | R1 | 0.332 | 35/32 | 27/8 | 23/32 | — | 53/8 | 80.7 |
| 102 | STL-D50R102 | 5 | 20.66 | 20.295 | R1 | 0.332 | 35/32 | 27/8 | 23/32 | — | 53/8 | 84.5 |
| 112 | STL-D50R112 | 5 | 22.65 | 22.285 | R1 | 0.332 | 35/32 | 27/8 | 23/32 | — | 53/8 | 93.2 |

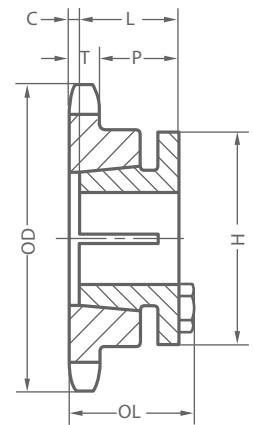


50-3 FOR 5/8" PITCH

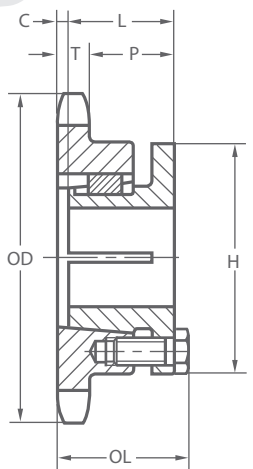
| TEETH NO. | Catalog | Type | Diameters | | Bushing | Dimensions | | | | | | wt Less Bushing |
|-----------|-------------|------|-----------|--------|----------------|------------|--------|--------|------|-------|------|-----------------|
| | | | O.D. | P.D. | | T | OL | L | P | C | H | |
| 15 | STL-T50P15H | 8 | 3.32 | 3.006 | P ₂ | 0.332 | 41/8 | 215/16 | 13/8 | 15/16 | 3 | 2.5 |
| 16 | STL-T50P16H | 6 | 3.52 | 3.204 | P ₂ | 0.332 | 33/8 | 215/16 | 13/8 | 3/16 | 3 | 2.4 |
| 17 | STL-T50P17H | 6 | 3.72 | 3.401 | P ₂ | 0.332 | 33/8 | 215/16 | 13/8 | 3/16 | 3 | 2.8 |
| 18 | STL-T50P18H | 6 | 3.92 | 3.599 | P ₂ | 0.332 | 33/8 | 215/16 | 13/8 | 3/16 | 3 | 3.4 |
| 19 | STL-T50P19H | 7B | 4.12 | 3.797 | P ₁ | 0.332 | 25/8 | 115/16 | 5/8 | 7/16 | 3 | 2.9 |
| 20 | STL-T50P20H | 7B | 4.32 | 3.995 | P ₁ | 0.332 | 25/8 | 115/16 | 5/8 | 7/16 | 3 | 3.1 |
| 21 | STL-T50P21H | 7B | 4.52 | 4.194 | P ₁ | 0.332 | 25/8 | 115/16 | 5/8 | 7/16 | 3 | 3.5 |
| 23 | STL-T50P23H | 7B | 4.92 | 4.590 | P ₁ | 0.332 | 25/8 | 115/16 | 5/8 | 7/16 | 3 | 4.5 |
| 24 | STL-T50Q24H | 7 | 5.12 | 4.788 | Q ₁ | 0.332 | 225/32 | 21/2 | 3/4 | — | 41/8 | 4.7 |
| 25 | STL-T50Q25H | 7 | 5.32 | 4.987 | Q ₁ | 0.332 | 225/32 | 21/2 | 3/4 | — | 41/8 | 5.0 |
| 26 | STL-T50Q26H | 7 | 5.52 | 5.185 | Q ₁ | 0.332 | 225/32 | 21/2 | 3/4 | — | 41/8 | 5.9 |
| 28 | STL-T50Q28H | 7 | 5.92 | 5.582 | Q ₁ | 0.332 | 225/32 | 21/2 | 3/4 | — | 41/8 | 7.3 |
| 30 | STL-T50Q30H | 7 | 6.32 | 5.979 | Q ₁ | 0.332 | 225/32 | 21/2 | 3/4 | — | 41/8 | 8.8 |
| 32 | STL-T50Q32H | 7 | 6.72 | 6.376 | Q ₁ | 0.332 | 225/32 | 21/2 | 3/4 | — | 41/8 | 10.9 |
| 35 | STL-T50Q35H | 7 | 7.32 | 6.972 | Q ₁ | 0.332 | 225/32 | 21/2 | 3/4 | — | 41/8 | 13.7 |
| 36 | STL-T50Q36H | 7 | 7.52 | 7.171 | Q ₁ | 0.332 | 225/32 | 21/2 | 3/4 | — | 41/8 | 14.6 |
| 40 | STL-T50Q40H | 7 | 8.32 | 7.966 | Q ₁ | 0.332 | 225/32 | 21/2 | 3/4 | — | 41/8 | 19.1 |
| 42 | STL-T50Q42 | 7 | 8.72 | 8.363 | Q ₁ | 0.332 | 225/32 | 21/2 | 3/4 | — | 41/8 | 21.5 |
| 48 | STL-T50Q48 | 7 | 9.91 | 9.556 | Q ₁ | 0.332 | 225/32 | 21/2 | 3/4 | — | 41/8 | 29.6 |
| 52 | STL-T50Q52 | 7 | 10.71 | 10.351 | Q ₁ | 0.332 | 225/32 | 21/2 | 3/4 | — | 41/8 | 36.4 |
| 60 | STL-T50R60 | 6 | 12.30 | 11.942 | R ₁ | 0.332 | 25/32 | 27/8 | 11/8 | — | 53/8 | 48.0 |
| 68 | STL-T50R68 | 6 | 13.89 | 13.533 | R ₁ | 0.332 | 25/32 | 27/8 | 11/8 | — | 53/8 | 63.5 |
| 72 | STL-T50R72 | 6 | 14.69 | 14.329 | R ₁ | 0.332 | 25/32 | 27/8 | 11/8 | — | 53/8 | 72.0 |
| 76 | STL-T50R76 | 6 | 15.49 | 15.124 | R ₁ | 0.332 | 25/32 | 27/8 | 11/8 | — | 53/8 | 81.0 |
| 84 | STL-T50R84 | 6 | 17.08 | 16.715 | R ₁ | 0.332 | 25/32 | 27/8 | 11/8 | — | 53/8 | 100 |
| 95 | STL-T50R95 | 6 | 19.27 | 18.903 | R ₁ | 0.332 | 25/32 | 27/8 | 11/8 | — | 53/8 | 130 |
| 102 | STL-T50R102 | 6 | 20.66 | 20.295 | R ₁ | 0.332 | 25/32 | 27/8 | 11/8 | — | 53/8 | 151 |

60-1 FOR 3/4" PITCH

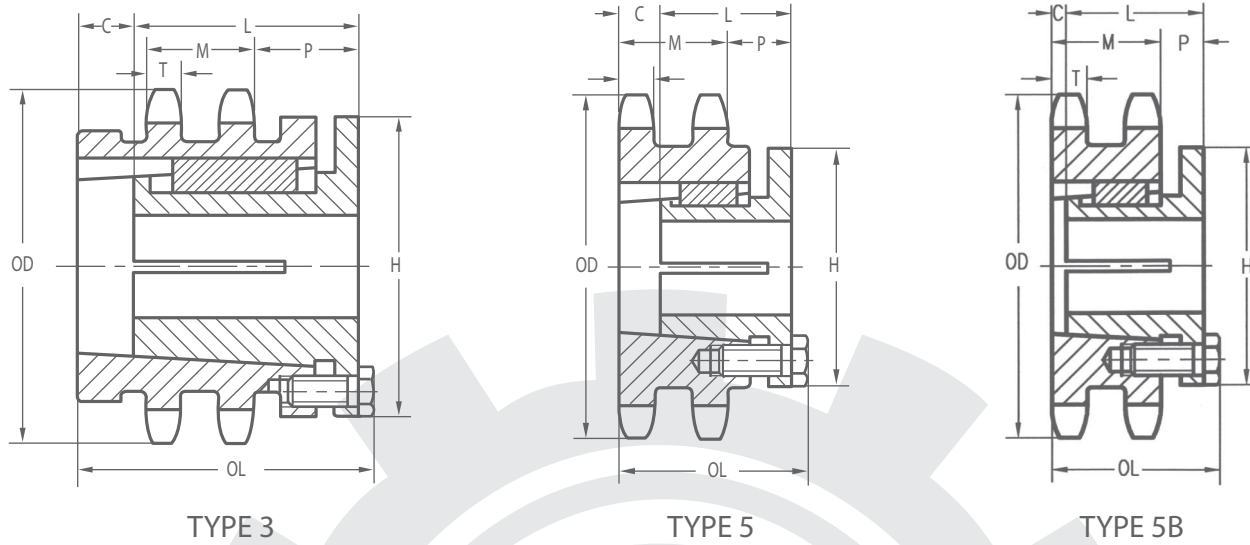
| TEETH NO. | Catalog | Type | Diameters | | Bushing | Dimensions | | | | | | wt Less Bushing |
|-----------|-----------|------|-----------|--------|---------|------------|--------|--------|--------|------|------|-----------------|
| | | | O.D. | P.D. | | T | OL | L | P | C | H | |
| 10 | STL60G10H | 1 | 2.76 | 2.427 | G | 0.459 | 13/4 | 1 | 13/32 | 9/16 | 2 | 0.6 |
| 11 | STL60H11H | 1 | 2.96 | 2.662 | H | 0.459 | 113/16 | 11/4 | 15/32 | 3/8 | 21/2 | 0.7 |
| 12 | STL60H12H | 1 | 3.25 | 2.898 | H | 0.459 | 13/4 | 11/4 | 13/32 | 5/16 | 21/2 | 0.8 |
| 13 | STL60H13H | 1 | 3.45 | 3.134 | H | 0.459 | 11/2 | 11/4 | 27/32 | 1/16 | 21/2 | 0.9 |
| 13 | STL60P13H | 2 | 3.45 | 3.134 | P1 | 0.459 | 23/16 | 115/16 | 115/32 | — | 3 | 1.1 |
| 14 | STL60H14H | 1 | 3.74 | 3.371 | H | 0.459 | 11/2 | 11/4 | 27/32 | 1/16 | 21/2 | 1.0 |
| 14 | STL60P14H | 2 | 3.74 | 3.371 | P1 | 0.459 | 23/16 | 115/16 | 115/32 | — | 3 | 1.2 |
| 15 | STL60H15H | 1 | 3.98 | 3.607 | H | 0.459 | 11/2 | 11/4 | 27/32 | 1/16 | 21/2 | 1.2 |
| 15 | STL60P15H | 2 | 3.98 | 3.607 | P1 | 0.459 | 23/16 | 115/16 | 115/32 | — | 3 | 1.6 |
| 16 | STL60P16H | 2 | 4.22 | 3.844 | P1 | 0.459 | 23/16 | 115/16 | 115/32 | — | 3 | 2.0 |
| 17 | STL60P17H | 2 | 4.46 | 4.082 | P1 | 0.459 | 23/16 | 115/16 | 115/32 | — | 3 | 2.2 |
| 18 | STL60P18H | 2 | 4.70 | 4.319 | P1 | 0.459 | 23/16 | 115/16 | 115/32 | — | 3 | 2.4 |
| 19 | STL60P19H | 2 | 4.95 | 4.557 | P1 | 0.459 | 23/16 | 115/16 | 115/32 | — | 3 | 2.5 |
| 20 | STL60P20H | 2 | 5.19 | 4.794 | P1 | 0.459 | 23/16 | 115/16 | 115/32 | — | 3 | 3.0 |
| 20 | STL60Q20H | 2 | 5.19 | 4.794 | Q1 | 0.459 | 225/32 | 21/2 | 21/32 | — | 41/8 | 3.5 |
| 21 | STL60P21H | 2 | 5.43 | 5.032 | P1 | 0.459 | 23/16 | 115/16 | 115/32 | — | 3 | 3.0 |
| 21 | STL60Q21H | 2 | 5.43 | 5.032 | Q1 | 0.459 | 225/32 | 21/2 | 21/32 | — | 41/8 | 3.8 |
| 22 | STL60P22H | 2 | 5.67 | 5.270 | P1 | 0.459 | 23/16 | 115/16 | 115/32 | — | 3 | 3.3 |
| 22 | STL60Q22H | 2 | 5.67 | 5.270 | Q1 | 0.459 | 225/32 | 21/2 | 21/32 | — | 41/8 | 4.1 |
| 23 | STL60P23H | 2 | 5.91 | 5.508 | P1 | 0.459 | 23/16 | 115/16 | 115/32 | — | 3 | 3.5 |
| 23 | STL60Q23H | 2 | 5.91 | 5.508 | Q1 | 0.459 | 225/32 | 21/2 | 21/32 | — | 41/8 | 4.3 |
| 24 | STL60P24H | 2 | 6.15 | 5.746 | P1 | 0.459 | 23/16 | 115/16 | 115/32 | — | 3 | 3.9 |
| 24 | STL60Q24H | 2 | 6.15 | 5.746 | Q1 | 0.459 | 225/32 | 21/2 | 21/32 | — | 41/8 | 4.5 |
| 25 | STL60P25H | 2 | 6.39 | 5.984 | P1 | 0.459 | 23/16 | 115/16 | 115/32 | — | 3 | 4.3 |
| 25 | STL60Q25H | 2 | 6.39 | 5.984 | Q1 | 0.459 | 225/32 | 21/2 | 21/32 | — | 41/8 | 6.0 |
| 26 | STL60P26H | 2 | 6.63 | 6.222 | P1 | 0.459 | 23/16 | 115/16 | 115/32 | — | 3 | 4.3 |
| 26 | STL60Q26H | 2 | 6.63 | 6.222 | Q1 | 0.459 | 225/32 | 21/2 | 21/32 | — | 41/8 | 6.4 |
| 27 | STL60P27H | 2 | 6.87 | 6.460 | P1 | 0.459 | 23/16 | 115/16 | 115/32 | — | 3 | 4.6 |
| 27 | STL60Q27H | 2 | 6.87 | 6.460 | Q1 | 0.459 | 225/32 | 21/2 | 21/32 | — | 41/8 | 6.6 |
| 28 | STL60P28H | 2 | 7.11 | 6.699 | P1 | 0.459 | 23/16 | 115/16 | 115/32 | — | 3 | 5.0 |
| 28 | STL60Q28H | 2 | 7.11 | 6.699 | Q1 | 0.459 | 225/32 | 21/2 | 21/32 | — | 41/8 | 6.9 |
| 29 | STL60Q29H | 2 | 7.35 | 6.937 | Q1 | 0.459 | 225/32 | 21/2 | 21/32 | — | 41/8 | 7.3 |
| 30 | STL60P30H | 2 | 7.59 | 7.175 | P1 | 0.459 | 23/16 | 115/16 | 115/32 | — | 3 | 5.6 |
| 30 | STL60Q30H | 2 | 7.59 | 7.175 | Q1 | 0.459 | 225/32 | 21/2 | 21/32 | — | 41/8 | 7.7 |
| 31 | STL60Q31H | 2 | 7.83 | 7.413 | Q1 | 0.459 | 225/32 | 21/2 | 21/32 | — | 41/8 | 7.8 |
| 32 | STL60Q32H | 2 | 8.07 | 7.652 | Q1 | 0.459 | 225/32 | 21/2 | 21/32 | — | 41/8 | 8.3 |
| 33 | STL60Q33H | 2 | 8.30 | 7.890 | Q1 | 0.459 | 225/32 | 21/2 | 21/32 | — | 41/8 | 8.7 |
| 34 | STL60Q34H | 2 | 8.54 | 8.129 | Q1 | 0.459 | 225/32 | 21/2 | 21/32 | — | 41/8 | 9.1 |
| 35 | STL60Q35H | 2 | 8.78 | 8.367 | Q1 | 0.459 | 225/32 | 21/2 | 21/32 | — | 41/8 | 9.3 |
| 36 | STL60Q36H | 2 | 9.02 | 8.605 | Q1 | 0.459 | 225/32 | 21/2 | 21/32 | — | 41/8 | 9.9 |
| 37 | STL60Q37 | 2 | 9.26 | 8.844 | Q1 | 0.459 | 225/32 | 21/2 | 21/32 | — | 41/8 | 10.3 |
| 38 | STL60Q38 | 2 | 9.50 | 9.082 | Q1 | 0.459 | 225/32 | 21/2 | 21/32 | — | 41/8 | 10.6 |
| 39 | STL60Q39 | 2 | 9.74 | 9.321 | Q1 | 0.459 | 225/32 | 21/2 | 21/32 | — | 41/8 | 11.1 |
| 40 | STL60Q40 | 2 | 9.98 | 9.559 | Q1 | 0.459 | 225/32 | 21/2 | 21/32 | — | 41/8 | 11.6 |
| 41 | STL60Q41 | 2 | 10.22 | 9.798 | Q1 | 0.459 | 225/32 | 21/2 | 21/32 | — | 41/8 | 11.9 |
| 42 | STL60Q42 | 2 | 10.46 | 10.036 | Q1 | 0.459 | 225/32 | 21/2 | 21/32 | — | 41/8 | 12.6 |
| 44 | STL60Q44 | 2 | 10.94 | 10.513 | Q1 | 0.459 | 225/32 | 21/2 | 21/32 | — | 41/8 | 13.4 |
| 45 | STL60Q45 | 2 | 11.18 | 10.752 | Q1 | 0.459 | 225/32 | 21/2 | 21/32 | — | 41/8 | 13.9 |
| 47 | STL60Q47 | 2 | 11.65 | 11.229 | Q1 | 0.459 | 225/32 | 21/2 | 21/32 | — | 41/8 | 16.3 |
| 48 | STL60Q48 | 2 | 11.89 | 11.467 | Q1 | 0.459 | 225/32 | 21/2 | 21/32 | — | 41/8 | 16.4 |
| 50 | STL60Q50 | 2 | 12.37 | 11.945 | Q1 | 0.459 | 225/32 | 21/2 | 21/32 | — | 41/8 | 16.9 |
| 54 | STL60Q54 | 2 | 13.33 | 12.899 | Q1 | 0.459 | 235/32 | 21/2 | 21/32 | — | 41/8 | 19.6 |
| 56 | STL60Q56 | 2 | 13.81 | 13.376 | Q1 | 0.459 | 225/32 | 21/2 | 21/32 | — | 41/8 | 20.3 |
| 60 | STL60Q60 | 2 | 14.73 | 14.331 | Q1 | 0.459 | 225/32 | 21/2 | 21/32 | — | 41/8 | 22.9 |
| 70 | STL60Q70 | 2 | 17.12 | 16.717 | Q1 | 0.459 | 225/32 | 21/2 | 21/32 | — | 41/8 | 30.9 |
| 70 | STL60R70 | 2 | 17.12 | 16.717 | R1 | 0.459 | 35/32 | 27/8 | 21/32 | — | 53/8 | 31.8 |
| 72 | STL60Q72 | 2 | 17.63 | 17.194 | Q1 | 0.459 | 225/32 | 21/2 | 21/32 | — | 41/8 | 31.9 |
| 72 | STL60R72 | 2 | 17.63 | 17.194 | R1 | 0.459 | 35/32 | 27/8 | 213/32 | — | 53/8 | 34.1 |
| 80 | STL60Q80 | 2 | 19.54 | 19.103 | Q1 | 0.459 | 225/32 | 21/2 | 21/32 | — | 41/8 | 39.1 |
| 80 | STL60R80 | 2 | 19.54 | 19.103 | R1 | 0.459 | 35/32 | 27/8 | 213/32 | — | 53/8 | 41.5 |
| 84 | STL60Q84 | 2 | 20.49 | 20.058 | Q1 | 0.459 | 225/32 | 21/2 | 21/32 | — | 41/8 | 41.6 |
| 84 | STL60R84 | 2 | 20.49 | 20.058 | R1 | 0.459 | 35/32 | 27/8 | 213/32 | — | 53/8 | 44.8 |
| 96 | STL60Q96 | 2 | 23.36 | 22.922 | Q1 | 0.459 | 225/32 | 21/2 | 21/32 | — | 41/8 | 54.0 |
| 96 | STL60R96 | 2 | 23.36 | 22.922 | R1 | 0.459 | 35/32 | 27/8 | 213/32 | — | 53/8 | 56.0 |
| 112 | STL60Q112 | 2 | 27.18 | 26.742 | Q1 | 0.459 | 225/32 | 21/2 | 21/32 | — | 41/8 | 73.0 |
| 112 | STL60R112 | 2 | 27.18 | 26.742 | R1 | 0.459 | 35/32 | 27/8 | 213/32 | — | 53/8 | 74.5 |



TYPE 1



TYPE 2

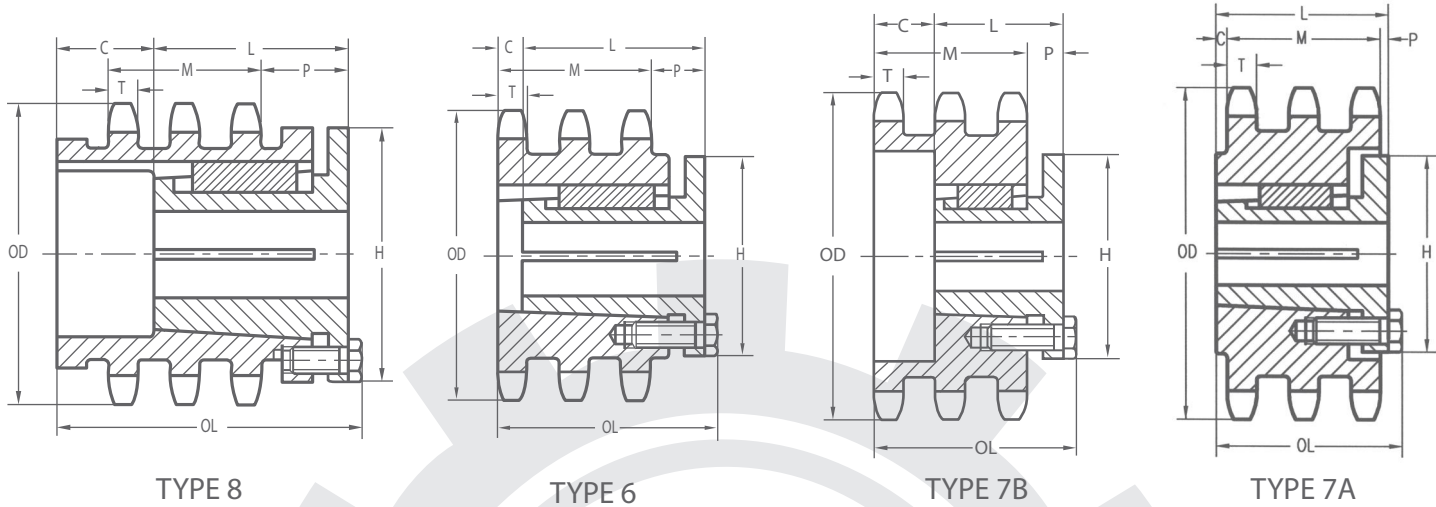


60-2 FOR 3/4" PITCH

| TEETH NO. | Catalog | Type | Diameters | | Bushing | Dimensions | | | | | | wt Less Bushing |
|-----------|-------------|------|-----------|--------|---------|------------|--------|--------|--------|-------|------|-----------------|
| | | | O.D. | P.D. | | T | OL | L | P | C | H | |
| 13 | STL-D60P13H | 3 | 3.45 | 3.134 | P1 | 0.444 | 313/16 | 115/16 | 113/32 | 1 5/8 | 3 | 2.5 |
| 14 | STL-D60P14H | 5 | 3.74 | 3.371 | P1 | 0.444 | 3 | 115/16 | 113/32 | 13/16 | 3 | 2.3 |
| 15 | STL-D60P15H | 5 | 3.98 | 3.607 | P1 | 0.444 | 3 | 115/16 | 113/32 | 13/16 | 3 | 2.7 |
| 16 | STL-D60P16H | 5B | 4.22 | 3.844 | P1 | 0.444 | 27/32 | 115/16 | 5/8 | 1/32 | 3 | 2.4 |
| 17 | STL-D60P17H | 5B | 4.46 | 4.082 | P1 | 0.444 | 27/32 | 115/16 | 5/8 | 1/32 | 3 | 2.8 |
| 18 | STL-D60P18H | 5B | 4.70 | 4.319 | P1 | 0.444 | 27/32 | 115/16 | 5/8 | 1/32 | 3 | 3.4 |
| 19 | STL-D60P19H | 5B | 4.95 | 4.557 | P1 | 0.444 | 27/32 | 115/16 | 5/8 | 1/32 | 3 | 4.0 |
| 20 | STL-D60P20H | 5B | 5.19 | 4.794 | P1 | 0.444 | 27/32 | 115/16 | 5/8 | 1/32 | 3 | 4.7 |
| 21 | STL-D60Q21H | 5 | 5.43 | 5.032 | Q1 | 0.444 | 225/32 | 21/2 | 15/32 | — | 41/8 | 4.8 |
| 22 | STL-D60Q22H | 5 | 5.67 | 5.270 | Q1 | 0.444 | 225/32 | 21/2 | 15/32 | — | 41/8 | 5.6 |
| 23 | STL-D60Q23H | 5 | 5.91 | 5.508 | Q1 | 0.444 | 225/32 | 21/2 | 15/32 | — | 41/8 | 6.3 |
| 24 | STL-D60Q24H | 5 | 6.15 | 5.746 | Q1 | 0.444 | 225/32 | 21/2 | 15/32 | — | 41/8 | 7.0 |
| 25 | STL-D60Q25H | 5 | 6.39 | 5.984 | Q1 | 0.444 | 225/32 | 21/2 | 15/32 | — | 41/8 | 7.9 |
| 26 | STL-D60Q26H | 5 | 6.63 | 6.222 | Q1 | 0.444 | 225/32 | 21/2 | 15/32 | — | 41/8 | 8.8 |
| 27 | STL-D60Q27H | 5 | 6.87 | 6.460 | Q1 | 0.444 | 225/32 | 21/2 | 15/32 | — | 41/8 | 9.6 |
| 28 | STL-D60Q28H | 5 | 7.11 | 6.699 | Q1 | 0.444 | 225/32 | 21/2 | 15/32 | — | 41/8 | 10.5 |
| 30 | STL-D60Q30H | 5 | 7.59 | 7.175 | Q1 | 0.444 | 225/32 | 21/2 | 15/32 | — | 41/8 | 12.3 |
| 32 | STL-D60Q32H | 5 | 8.07 | 7.652 | Q1 | 0.444 | 225/32 | 21/2 | 15/32 | — | 41/8 | 14.3 |
| 35 | STL-D60Q35H | 5 | 8.78 | 8.367 | Q1 | 0.444 | 225/32 | 21/2 | 15/32 | — | 41/8 | 17.7 |
| 36 | STL-D60Q36H | 5 | 9.02 | 8.605 | Q1 | 0.444 | 225/32 | 21/2 | 15/32 | — | 41/8 | 18.4 |
| 40 | STL-D60Q40 | 5 | 9.98 | 9.559 | Q1 | 0.444 | 225/32 | 21/2 | 15/32 | — | 41/8 | 23.9 |
| 42 | STL-D60Q42 | 5 | 10.46 | 10.036 | Q1 | 0.444 | 225/32 | 21/2 | 15/32 | — | 41/8 | 26.3 |
| 42 | STL-D60R42 | 5 | 10.46 | 10.036 | R1 | 0.444 | 35/32 | 27/8 | 117/32 | — | 53/8 | 25.7 |
| 45 | STL-D60R45 | 5 | 11.18 | 10.752 | R1 | 0.444 | 35/32 | 27/8 | 117/32 | — | 53/8 | 30.2 |
| 48 | STL-D60R48 | 5 | 11.89 | 11.467 | R1 | 0.444 | 35/32 | 27/8 | 117/32 | — | 53/8 | 35.1 |
| 52 | STL-D60R52 | 5 | 12.85 | 12.422 | R1 | 0.444 | 35/32 | 27/8 | 117/32 | — | 53/8 | 41.8 |
| 54 | STL-D60R54 | 5 | 13.33 | 12.899 | R1 | 0.444 | 35/32 | 27/8 | 117/32 | — | 53/8 | 45.1 |
| 60 | STL-D60R60 | 5 | 14.76 | 14.331 | R1 | 0.444 | 35/32 | 27/8 | 117/32 | — | 53/8 | 54.8 |
| 68 | STL-D60R68 | 5 | 16.67 | 16.240 | R1 | 0.444 | 35/32 | 27/8 | 117/32 | — | 53/8 | 73.8 |
| 72 | STL-D60R72 | 5 | 17.63 | 17.194 | R1 | 0.444 | 35/32 | 27/8 | 117/32 | — | 53/8 | 81.8 |
| 76 | STL-D60R76 | 5 | 18.58 | 18.149 | R1 | 0.444 | 35/32 | 27/8 | 117/32 | — | 53/8 | 93.0 |
| 84 | STL-D60R84 | 5 | 20.49 | 20.058 | R1 | 0.444 | 35/32 | 27/8 | 117/32 | — | 53/8 | 111 |
| 95 | STL-D60R95 | 5 | 23.12 | 22.683 | R1 | 0.444 | 35/32 | 27/8 | 117/32 | — | 53/8 | 148 |
| 96 | STL-D60R96 | 5 | 23.36 | 22.922 | R1 | 0.444 | 35/32 | 27/8 | 117/32 | — | 53/8 | 155 |

**T_{aper}
B_{ore}** Sprockets

STL

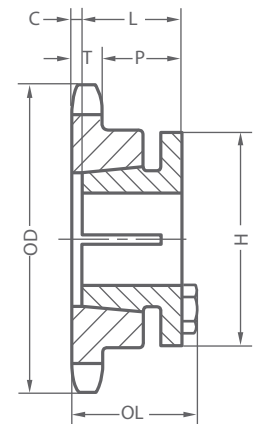


60-3 FOR 3/4" PITCH

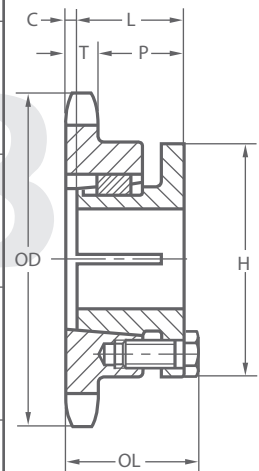
| TEETH NO. | Catalog | Type | Diameters | | Bushing | Dimensions | | | | | | wt Less Bushing |
|-----------|-------------|------|-----------|--------|---------|------------|--------|--------|--------|--------|------|-----------------|
| | | | O.D. | P.D. | | T | OL | L | P | C | H | |
| 13 | STL-T60P13H | 8 | 3.49 | 3.134 | P2 | 0.444 | 423/32 | 215/16 | 113/32 | 117/32 | 3 | 3.3 |
| 14 | STL-T60P14H | 6 | 3.74 | 3.371 | P2 | 0.444 | 329/32 | 215/16 | 27/16 | 123/32 | 3 | 3.3 |
| 15 | STL-T60P15H | 6 | 3.98 | 3.607 | P2 | 0.444 | 329/32 | 215/16 | 27/16 | 123/32 | 3 | 4.0 |
| 16 | STL-T60P16H | 7B | 4.22 | 3.844 | P1 | 0.444 | 31/8 | 115/16 | 5/8 | 15/16 | 3 | 3.4 |
| 17 | STL-T60Q17H | 8 | 4.46 | 4.082 | Q1 | 0.444 | 5 | 31/2 | 121/32 | 11/4 | 41/8 | 4.6 |
| 18 | STL-T60Q18H | 6 | 4.70 | 4.319 | Q1 | 0.444 | 43/16 | 31/2 | 121/32 | 13/32 | 41/8 | 5.0 |
| 19 | STL-T60Q19H | 6 | 4.95 | 4.557 | Q1 | 0.444 | 43/16 | 31/2 | 121/32 | 13/32 | 41/8 | 5.9 |
| 20 | STL-T60Q20H | 6 | 5.19 | 4.794 | Q1 | 0.444 | 43/16 | 31/2 | 121/32 | 13/32 | 41/8 | 7.0 |
| 21 | STL-T60Q21H | 7B | 5.43 | 5.032 | Q1 | 0.444 | 31/4 | 21/2 | 3/4 | 15/32 | 41/8 | 5.7 |
| 22 | STL-T60Q22H | 7B | 5.67 | 5.270 | Q1 | 0.444 | 31/4 | 21/2 | 3/4 | 15/32 | 41/8 | 6.6 |
| 23 | STL-T60Q23H | 7A | 5.91 | 5.508 | Q1 | 0.444 | 225/32 | 21/2 | 1/4 | — | 41/8 | 7.7 |
| 24 | STL-T60Q24H | 7A | 6.15 | 5.746 | Q1 | 0.444 | 225/32 | 21/2 | 1/4 | — | 41/8 | 8.8 |
| 25 | STL-T60Q25H | 7A | 6.39 | 5.984 | Q1 | 0.444 | 225/32 | 21/2 | 1/4 | — | 41/8 | 10.0 |
| 26 | STL-T60Q26H | 7A | 6.63 | 6.222 | Q1 | 0.444 | 225/32 | 21/2 | 1/4 | — | 41/8 | 11.1 |
| 27 | STL-T60Q27H | 7A | 6.87 | 6.460 | Q1 | 0.444 | 225/32 | 21/2 | 1/4 | — | 41/8 | 12.4 |
| 28 | STL-T60Q28H | 7A | 7.11 | 6.699 | Q1 | 0.444 | 225/32 | 21/2 | 1/4 | — | 41/8 | 13.6 |
| 30 | STL-T60R30H | 7A | 7.59 | 7.175 | R1 | 0.444 | 35/32 | 27/8 | 5/8 | — | 53/8 | 14.0 |
| 32 | STL-T60R32H | 7A | 8.07 | 7.652 | R1 | 0.444 | 35/32 | 27/8 | 5/8 | — | 53/8 | 19.0 |
| 35 | STL-T60R35H | 7A | 8.78 | 8.367 | R1 | 0.444 | 35/32 | 27/8 | 5/8 | — | 53/8 | 22.0 |
| 36 | STL-T60R36H | 7A | 9.02 | 8.605 | R1 | 0.444 | 35/32 | 27/8 | 5/8 | — | 53/8 | 23.4 |
| 40 | STL-T60R40 | 7A | 9.98 | 9.559 | R1 | 0.444 | 35/32 | 27/8 | 5/8 | — | 53/8 | 31.3 |
| 42 | STL-T60R42 | 7A | 10.46 | 10.036 | R1 | 0.444 | 35/32 | 27/8 | 5/8 | — | 53/8 | 35.3 |
| 52 | STL-T60R52 | 7A | 12.85 | 12.422 | R1 | 0.444 | 35/32 | 27/8 | 5/8 | — | 53/8 | 63.2 |
| 68 | STL-T60S68 | 6 | 16.67 | 16.240 | S1 | 0.444 | 51/8 | 43/8 | 29/64 | — | 63/8 | 122 |

80-1 FOR 1" PITCH

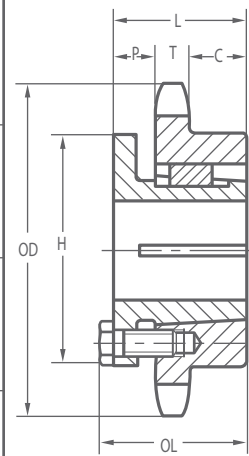
| TEETH NO. | Catalog | Type | Diameters | | Bushing | Dimensions | | | | | | wt Less Bushing |
|-----------|------------|------|-----------|--------|---------|------------|--------|---------|---------|-------|-------|-----------------|
| | | | O.D. | P.D. | | T | OL | L | P | C | H | |
| 10 | STL-80H10H | 1 | 3.68 | 3.236 | H | 0.575 | 23/32 | 1 1/4 | 1 3/8 | 21/32 | 2 1/2 | 2.0 |
| 11 | STL-80H11H | 1 | 3.98 | 3.550 | H | 0.575 | 1 1/2 | 1 1/4 | 3/4 | 1/16 | 2 1/2 | 1.3 |
| 11 | STL-80P11H | 2 | 3.98 | 3.550 | P1 | 0.575 | 211/32 | 1 15/16 | 1 17/32 | 5/32 | 3 | 1.8 |
| 12 | STL-80P12H | 2 | 4.33 | 3.864 | P1 | 0.575 | 23/16 | 1 15/16 | 1 3/8 | — | 3 | 2.0 |
| 13 | STL-80P13H | 2 | 4.66 | 4.179 | P1 | 0.575 | 23/16 | 1 15/16 | 1 3/8 | — | 3 | 2.3 |
| 14 | STL-80P14H | 2 | 4.98 | 4.494 | P1 | 0.575 | 23/16 | 1 15/16 | 1 3/8 | — | 3 | 2.7 |
| 14 | STL-80Q14H | 2 | 4.98 | 4.494 | Q1 | 0.575 | 225/32 | 2 1/2 | 1 15/16 | — | 4 1/8 | 3.0 |
| 15 | STL-80P15H | 2 | 5.31 | 4.810 | P1 | 0.575 | 23/16 | 1 15/16 | 1 3/8 | — | 3 | 3.2 |
| 15 | STL-80Q15H | 2 | 5.31 | 4.810 | Q1 | 0.575 | 225/32 | 2 1/2 | 1 15/16 | — | 4 1/8 | 3.6 |
| 16 | STL80P16H | 2 | 5.63 | 5.126 | P1 | 0.575 | 23/16 | 1 15/16 | 1 3/8 | — | 3 | 3.6 |
| 16 | STL80Q16H | 2 | 5.63 | 5.126 | Q1 | 0.575 | 225/32 | 2 1/2 | 1 15/16 | — | 4 1/8 | 4.6 |
| 17 | STL80P17H | 2 | 5.95 | 5.442 | P1 | 0.575 | 23/16 | 1 15/16 | 1 3/8 | — | 3 | 3.9 |
| 17 | STL80Q17H | 2 | 5.95 | 5.442 | Q1 | 0.575 | 225/32 | 2 1/2 | 1 15/16 | — | 4 1/8 | 5.4 |
| 18 | STL80P18H | 2 | 6.27 | 5.759 | P1 | 0.575 | 23/16 | 1 15/16 | 1 3/8 | — | 3 | 4.5 |
| 18 | STL80Q18H | 2 | 6.27 | 5.759 | Q1 | 0.575 | 225/32 | 2 1/2 | 1 15/16 | — | 4 1/8 | 6.0 |
| 19 | STL80P19H | 2 | 6.59 | 6.079 | P1 | 0.575 | 23/16 | 1 15/16 | 1 3/8 | — | 3 | 4.8 |
| 19 | STL80Q19H | 2 | 6.59 | 6.079 | Q1 | 0.575 | 225/32 | 2 1/2 | 1 15/16 | — | 4 1/8 | 6.4 |
| 20 | STL80Q20H | 2 | 6.91 | 6.392 | Q1 | 0.575 | 225/32 | 2 1/2 | 1 15/16 | — | 4 1/8 | 6.9 |
| 21 | STL80Q21H | 2 | 7.24 | 6.710 | Q1 | 0.575 | 225/32 | 2 1/2 | 1 15/16 | — | 4 1/8 | 7.4 |
| 22 | STL80Q22H | 2 | 7.56 | 7.027 | Q1 | 0.575 | 225/32 | 2 1/2 | 1 15/16 | — | 4 1/8 | 8.0 |
| 23 | STL80Q23H | 2 | 7.88 | 7.344 | Q1 | 0.575 | 225/32 | 2 1/2 | 1 15/16 | — | 4 1/8 | 8.5 |
| 24 | STL80Q24H | 2 | 8.20 | 7.661 | Q1 | 0.575 | 225/32 | 2 1/2 | 1 15/16 | — | 4 1/8 | 9.3 |
| 25 | STL80Q25H | 2 | 8.52 | 7.979 | Q1 | 0.575 | 225/32 | 2 1/2 | 1 15/16 | — | 4 1/8 | 9.9 |
| 26 | STL80Q26H | 2 | 8.84 | 8.296 | Q1 | 0.575 | 225/32 | 2 1/2 | 1 15/16 | — | 4 1/8 | 10.4 |
| 27 | STL80Q27H | 2 | 9.16 | 8.614 | Q1 | 0.575 | 225/32 | 2 1/2 | 1 15/16 | — | 4 1/8 | 10.9 |
| 28 | STL80Q28H | 2 | 9.48 | 8.931 | Q1 | 0.575 | 225/32 | 2 1/2 | 1 15/16 | — | 4 1/8 | 11.5 |
| 29 | STL80Q29H | 2 | 9.80 | 9.249 | Q1 | 0.575 | 225/32 | 2 1/2 | 1 15/16 | — | 4 1/8 | 12.5 |
| 30 | STL80Q30H | 2 | 10.11 | 9.567 | Q1 | 0.575 | 225/32 | 2 1/2 | 1 15/16 | — | 4 1/8 | 13.0 |
| 31 | STL80Q31H | 2 | 10.43 | 9.885 | Q1 | 0.575 | 225/32 | 2 1/2 | 1 15/16 | — | 4 1/8 | 13.9 |
| 32 | STL80Q32H | 2 | 10.75 | 10.202 | Q1 | 0.575 | 225/32 | 2 1/2 | 1 15/16 | — | 4 1/8 | 14.8 |
| 33 | STL80Q33H | 2 | 11.07 | 10.520 | Q1 | 0.575 | 225/32 | 2 1/2 | 1 15/16 | — | 4 1/8 | 15.5 |
| 34 | STL80Q34H | 2 | 11.39 | 10.838 | Q1 | 0.575 | 225/32 | 2 1/2 | 1 15/16 | — | 4 1/8 | 16.3 |
| 35 | STL80Q35H | 2 | 11.71 | 11.156 | Q1 | 0.575 | 225/32 | 2 1/2 | 1 15/16 | — | 4 1/8 | 17.8 |
| 36 | STL80Q36H | 2 | 11.98 | 11.474 | Q1 | 0.575 | 225/32 | 2 1/2 | 1 15/16 | — | 4 1/8 | 18.1 |
| 36 | STL80R36H | 2 | 11.98 | 11.474 | R1 | 0.575 | 35/32 | 27/8 | 25/16 | — | 5 3/8 | 19.5 |
| 37 | STL80Q37 | 2 | 12.35 | 11.792 | Q1 | 0.575 | 225/32 | 2 1/2 | 1 15/16 | — | 4 1/8 | 18.5 |
| 38 | STL80Q38 | 2 | 12.67 | 12.110 | Q1 | 0.575 | 225/32 | 2 1/2 | 1 15/16 | — | 4 1/8 | 20.0 |
| 39 | STL80R39 | 2 | 12.99 | 12.428 | R1 | 0.575 | 35/32 | 27/8 | 25/16 | — | 5 3/8 | 22.8 |
| 40 | STL80Q40 | 2 | 13.31 | 12.746 | Q1 | 0.575 | 225/32 | 2 1/2 | 1 15/16 | — | 4 1/8 | 21.9 |
| 40 | STL80R40 | 2 | 13.31 | 12.746 | R1 | 0.575 | 35/32 | 27/8 | 25/16 | — | 5 3/8 | 23.4 |
| 41 | STL80R41 | 2 | 13.63 | 13.064 | R1 | 0.575 | 35/32 | 27/8 | 25/16 | — | 5 3/8 | 23.9 |
| 42 | STL80Q42 | 2 | 13.94 | 13.382 | Q1 | 0.575 | 225/32 | 2 1/2 | 1 15/16 | — | 4 1/8 | 23.8 |
| 42 | STL80R42 | 2 | 13.94 | 13.382 | R1 | 0.575 | 35/32 | 27/8 | 25/16 | — | 5 3/8 | 25.4 |
| 44 | STL80R44 | 2 | 14.58 | 14.018 | R1 | 0.575 | 35/32 | 27/8 | 25/16 | — | 5 3/8 | 27.2 |
| 45 | STL80Q45 | 2 | 14.90 | 14.336 | Q1 | 0.575 | 225/32 | 2 1/2 | 1 15/16 | — | 4 1/8 | 27.8 |
| 45 | STL80R45 | 2 | 14.90 | 14.336 | R1 | 0.575 | 35/32 | 27/8 | 25/16 | — | 5 3/8 | 28.5 |
| 47 | STL80R47 | 2 | 15.54 | 14.972 | R1 | 0.575 | 35/32 | 27/8 | 25/16 | — | 5 3/8 | 31.0 |
| 48 | STL80Q48 | 2 | 15.86 | 15.290 | Q1 | 0.575 | 225/32 | 2 1/2 | 1 15/16 | — | 4 1/8 | 30.8 |
| 48 | STL80R48 | 2 | 15.86 | 15.290 | R1 | 0.575 | 35/32 | 27/8 | 25/16 | — | 5 3/8 | 32.3 |
| 50 | STL80R50 | 2 | 16.50 | 15.926 | R1 | 0.575 | 35/32 | 27/8 | 25/16 | — | 5 3/8 | 35.1 |
| 54 | STL80Q54 | 2 | 17.77 | 17.198 | Q1 | 0.575 | 225/32 | 2 1/2 | 1 15/16 | — | 4 1/8 | 38.5 |
| 54 | STL80R54 | 2 | 17.77 | 17.198 | R1 | 0.575 | 35/32 | 27/8 | 25/16 | — | 5 3/8 | 40.8 |
| 56 | STL80R56 | 2 | 18.41 | 17.835 | R1 | 0.575 | 35/32 | 27/8 | 25/16 | — | 5 3/8 | 44.0 |
| 60 | STL80Q60 | 2 | 19.68 | 19.107 | Q1 | 0.575 | 225/32 | 2 1/2 | 1 15/16 | — | 4 1/8 | 46.8 |
| 60 | STL80R60 | 2 | 19.68 | 19.107 | R1 | 0.575 | 35/32 | 27/8 | 2 5/16 | — | 5 3/8 | 47.3 |
| 70 | STL80Q70 | 2 | 22.83 | 22.289 | Q1 | 0.575 | 225/32 | 2 1/2 | 1 15/16 | — | 4 1/8 | 60.0 |
| 70 | STL80R70 | 2 | 22.83 | 22.289 | R1 | 0.575 | 35/32 | 27/8 | 25/16 | — | 5 3/8 | 63.5 |
| 72 | STL80Q72 | 2 | 23.46 | 22.926 | Q1 | 0.575 | 225/32 | 2 1/2 | 1 15/16 | — | 4 1/8 | 67.5 |
| 72 | STL80R72 | 2A | 23.46 | 22.926 | R1 | 0.575 | 35/32 | 27/8 | 7/8 | 17/16 | 5 3/8 | 69.4 |
| 80 | STL80R80 | 2A | 26.01 | 25.471 | R1 | 0.575 | 35/32 | 27/8 | 7/8 | 17/16 | 5 3/8 | 85.0 |
| 84 | STL80R84 | 2A | 27.33 | 26.744 | R1 | 0.575 | 35/32 | 27/8 | 7/8 | 17/16 | 5 3/8 | 90.0 |
| 96 | STL80R96 | 2A | 31.15 | 30.563 | R1 | 0.575 | 35/32 | 27/8 | 7/8 | 17/16 | 5 3/8 | 110 |
| 112 | STL80S112 | 2A | 36.24 | 35.655 | S1 | 0.575 | 43/4 | 43/8 | 1 1/8 | 23/4 | 63/8 | 165 |



TYPE 1



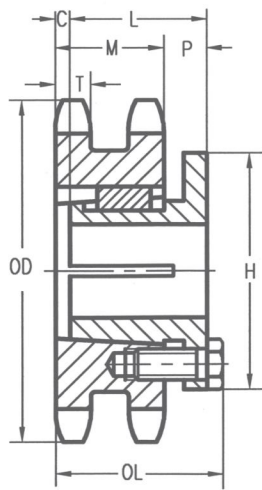
TYPE 2



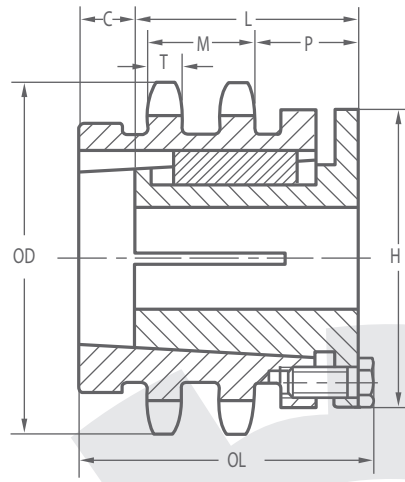
TYPE 2A

T_{aper}B_{ore} **Sprockets**

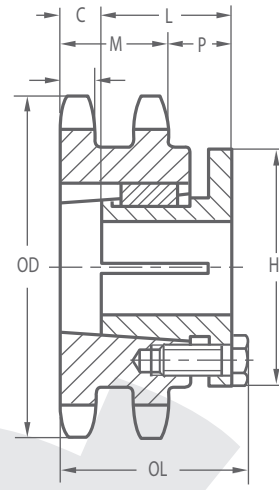
STL



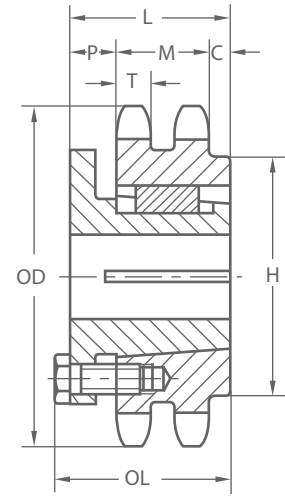
TYPE 5B



TYPE 3



TYPE 5



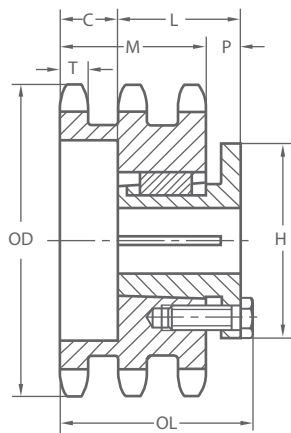
TYPE 5C

80-2 FOR 1" PITCH

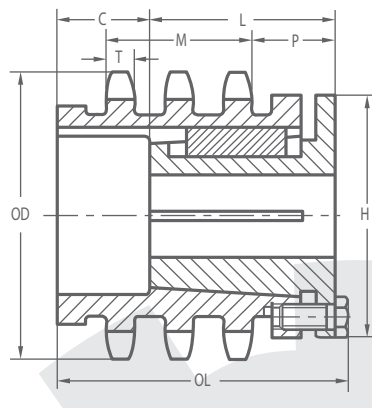
| TEETH NO. | Catalog | Type | Diameters | | Bushing | Dimensions | | | | | | wt Less Bushing |
|-----------|-------------|------|-----------|--------|---------|------------|--------|--------|-------|-------|------|-----------------|
| | | | O.D. | P.D. | | T | OL | L | P | C | H | |
| 13 | STL-D80P13H | 5B | 4.66 | 4.179 | P1 | 0.557 | 219/32 | 115/16 | 5/8 | 13/32 | 3 | 3.6 |
| 14 | STL-D80Q14H | 3 | 4.98 | 4.494 | Q2 | 0.557 | 45/8 | 31/2 | 13/4 | 27/32 | 41/8 | 5.4 |
| 15 | STL-D80Q15H | 5 | 5.31 | 4.810 | Q2 | 0.557 | 325/32 | 31/2 | 13/4 | — | 41/8 | 5.4 |
| 16 | STL-D80Q16H | 5B | 5.63 | 5.126 | Q1 | 0.557 | 225/32 | 21/2 | 3/4 | — | 41/8 | 4.8 |
| 17 | STL-D80Q17H | 5B | 5.95 | 5.442 | Q1 | 0.557 | 225/32 | 21/2 | 3/4 | — | 41/8 | 6.0 |
| 18 | STL-D80Q18H | 5B | 6.27 | 5.759 | Q1 | 0.557 | 225/32 | 21/2 | 3/4 | — | 41/8 | 7.3 |
| 19 | STL-D80Q19H | 5B | 6.59 | 6.076 | Q1 | 0.557 | 225/32 | 21/2 | 3/4 | — | 41/8 | 8.5 |
| 20 | STL-D80R20H | 5 | 6.91 | 6.392 | R1 | 0.557 | 35/32 | 27/8 | 15/32 | — | 53/8 | 7.8 |
| 21 | STL-D80R21H | 5 | 7.24 | 6.710 | R1 | 0.557 | 35/32 | 27/8 | 15/32 | — | 53/8 | 9.4 |
| 22 | STL-D80R22H | 5 | 7.56 | 7.027 | R1 | 0.557 | 35/32 | 27/8 | 15/32 | — | 53/8 | 10.8 |
| 23 | STL-D80R23H | 5 | 7.88 | 7.344 | R1 | 0.557 | 35/32 | 27/8 | 15/32 | — | 53/8 | 12.3 |
| 24 | STL-D80R24H | 5 | 8.20 | 7.661 | R1 | 0.557 | 35/32 | 27/8 | 15/32 | — | 53/8 | 14.1 |
| 25 | STL-D80R25H | 5 | 8.52 | 7.979 | R1 | 0.557 | 35/32 | 27/8 | 15/32 | — | 53/8 | 15.8 |
| 26 | STL-D80R26H | 5 | 8.84 | 8.296 | R1 | 0.557 | 35/32 | 27/8 | 15/32 | — | 53/8 | 18.1 |
| 27 | STL-D80R27H | 5 | 9.16 | 8.614 | R1 | 0.557 | 35/32 | 27/8 | 15/32 | — | 53/8 | 20.4 |
| 28 | STL-D80R28H | 5 | 9.48 | 8.931 | R1 | 0.557 | 35/32 | 27/8 | 15/32 | — | 53/8 | 22.7 |
| 30 | STL-D80R30H | 5 | 10.11 | 9.567 | R1 | 0.557 | 35/32 | 27/8 | 15/32 | — | 53/8 | 26.8 |
| 36 | STL-D80R36H | 5 | 12.03 | 11.474 | R1 | 0.557 | 35/32 | 27/8 | 15/32 | — | 53/8 | 41.6 |
| 42 | STL-D80R42 | 5 | 13.94 | 13.382 | R1 | 0.557 | 35/32 | 27/8 | 15/32 | — | 53/8 | 58.0 |
| 45 | STL-D80R45 | 5 | 14.90 | 14.336 | R1 | 0.557 | 35/32 | 27/8 | 15/32 | — | 53/8 | 68.0 |
| 48 | STL-D80R48 | 5C | 15.86 | 15.290 | R2 | 0.557 | 55/32 | 47/8 | 7/8 | 29/32 | 53/8 | 86.0 |
| 52 | STL-D80R52 | 5C | 17.13 | 16.562 | R2 | 0.557 | 55/32 | 47/8 | 7/8 | 29/32 | 53/8 | 103 |
| 54 | STL-D80R54 | 5C | 17.77 | 17.198 | R2 | 0.557 | 55/32 | 47/8 | 7/8 | 29/32 | 53/8 | 111 |
| 60 | STL-D80R60 | 5C | 19.64 | 19.107 | R2 | 0.557 | 55/32 | 47/8 | 7/8 | 29/32 | 53/8 | 135 |
| 68 | STL-D80R68 | 5C | 22.23 | 21.653 | R2 | 0.557 | 55/32 | 47/8 | 7/8 | 29/32 | 53/8 | 176 |
| 72 | STL-D80R72 | 5C | 23.46 | 22.926 | R2 | 0.557 | 55/32 | 47/8 | 7/8 | 29/32 | 53/8 | 198 |
| 76 | STL-D80U76 | 5C | 24.74 | 24.198 | U0 | 0.557 | 523/32 | 51/4 | 11/2 | 21/32 | 83/8 | 219 |
| 95 | STL-D80U95 | 5C | 30.83 | 30.245 | U0 | 0.557 | 523/32 | 51/4 | 11/2 | 21/32 | 83/8 | 342 |

**T_{aper}
B_{ore}** Sprockets

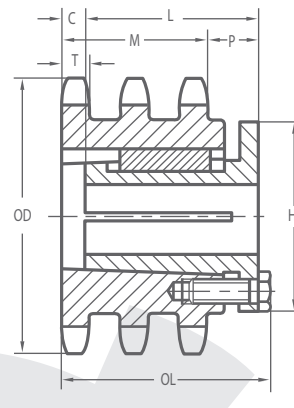
STL



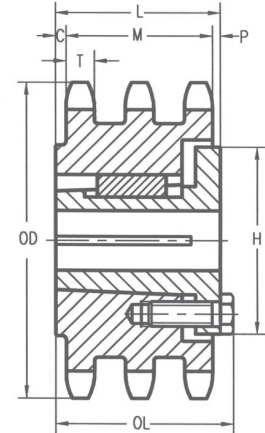
TYPE 7B



TYPE 8



TYPE 6



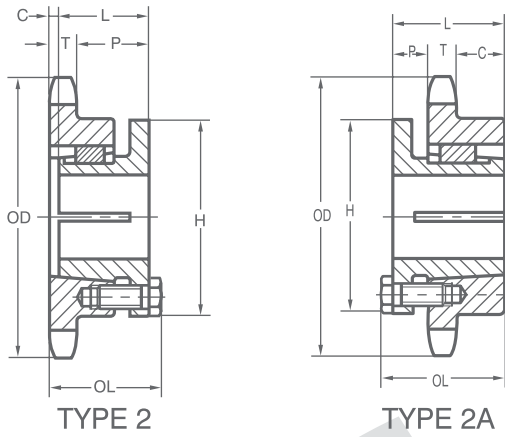
TYPE 7A

80-3 FOR 1" PITCH

| TEETH NO. | Catalog | Type | Diameters | | Bushing | Dimensions | | | | | | wt Less Bushing |
|-----------|-------------|------|-----------|--------|----------------|------------|--------|--------|--------|------|------|-----------------|
| | | | O.D. | P.D. | | T | OL | L | P | C | H | |
| 13 | STL-T80P13H | 7B | 4.66 | 4.179 | P ₂ | 0.557 | 3/4 | 215/16 | 5/8 | 9/16 | 3 | 5.7 |
| 14 | STL-T80Q14H | 8 | 4.98 | 4.494 | Q ₂ | 0.557 | 525/32 | 31/2 | 13/4 | 2 | 41/8 | 7.5 |
| 15 | STL-T80Q15H | 6 | 5.31 | 4.810 | Q ₂ | 0.557 | 429/32 | 31/2 | 13/4 | 11/8 | 41/8 | 8.1 |
| 16 | STL-T80Q16H | 7A | 5.63 | 5.126 | Q ₂ | 0.557 | 37/8 | 31/2 | 3/4 | 3/32 | 41/8 | 9.3 |
| 17 | STL-T80Q17H | 7B | 5.95 | 5.442 | Q ₂ | 0.557 | 329/32 | 31/2 | 3/4 | 1/8 | 41/8 | 9.8 |
| 18 | STL-T80Q18H | 7B | 6.27 | 5.759 | Q ₂ | 0.557 | 329/32 | 31/2 | 3/4 | 1/8 | 41/8 | 12.0 |
| 19 | STL-T80Q19H | 7B | 6.59 | 6.076 | Q ₂ | 0.557 | 329/32 | 31/2 | 3/4 | 1/8 | 41/8 | 13.9 |
| 20 | STL-T80R20H | 7B | 6.91 | 6.392 | R ₁ | 0.557 | 41/32 | 27/8 | 7/8 | 7/8 | 53/8 | 10.2 |
| 21 | STL-T80R21H | 7B | 7.24 | 6.710 | R ₁ | 0.557 | 41/32 | 27/8 | 7/8 | 7/8 | 53/8 | 12.4 |
| 22 | STL-T80R22H | 7B | 7.56 | 7.027 | R ₁ | 0.557 | 41/32 | 27/8 | 7/8 | 7/8 | 53/8 | 14.6 |
| 23 | STL-T80R23H | 7A | 7.88 | 7.344 | R ₁ | 0.557 | 35/32 | 27/8 | — | — | 53/8 | 15.9 |
| 24 | STL-T80R24H | 7A | 8.20 | 7.661 | R ₁ | 0.557 | 35/32 | 27/8 | — | — | 53/8 | 18.5 |
| 25 | STL-T80R25H | 7A | 8.52 | 7.979 | R ₁ | 0.557 | 35/32 | 27/8 | — | — | 53/8 | 20.3 |
| 26 | STL-T80R26H | 7A | 8.84 | 8.296 | R ₁ | 0.557 | 35/32 | 27/8 | — | — | 53/8 | 23.4 |
| 27 | STL-T80R27H | 7A | 9.16 | 8.614 | R ₁ | 0.557 | 35/32 | 27/8 | — | — | 53/8 | 25.8 |
| 28 | STL-T80R28H | 7A | 9.48 | 8.931 | R ₁ | 0.557 | 35/32 | 27/8 | — | — | 53/8 | 28.1 |
| 30 | STL-T80R30H | 7A | 10.11 | 9.567 | R ₁ | 0.557 | 35/32 | 27/8 | — | — | 53/8 | 33.3 |
| 36 | STL-T80S36H | 6 | 12.03 | 11.474 | S ₁ | 0.557 | 51/8 | 43/8 | 11/2 | — | 63/8 | 67.0 |
| 42 | STL-T80S42 | 6 | 13.94 | 13.382 | S ₁ | 0.557 | 51/8 | 43/8 | 11/2 | — | 63/8 | 96.1 |
| 45 | STL-T80S45 | 6 | 14.90 | 14.336 | S ₁ | 0.557 | 51/8 | 43/8 | 11/2 | — | 63/8 | 112 |
| 52 | STL-T80U52 | 6 | 17.13 | 16.562 | U ₀ | 0.557 | 523/32 | 51/4 | 23/8 | — | 83/8 | 150 |
| 60 | STL-T80U60 | 6 | 19.68 | 19.107 | U ₀ | 0.557 | 523/32 | 51/4 | 23/8 | — | 83/8 | 207 |
| 68 | STL-T80U68 | 6 | 22.23 | 21.653 | U ₀ | 0.557 | 523/32 | 51/4 | 23/8 | — | 83/8 | 271 |
| 76 | STL-T80U76 | 6 | 24.78 | 24.198 | U ₀ | 0.557 | 523/32 | 51/4 | 23/8 | — | 83/8 | 344 |
| 95 | STL-T80U95 | 7A | 30.83 | 30.245 | U ₀ | 0.557 | 555/64 | 51/4 | 113/32 | 1 | 83/8 | 384 |

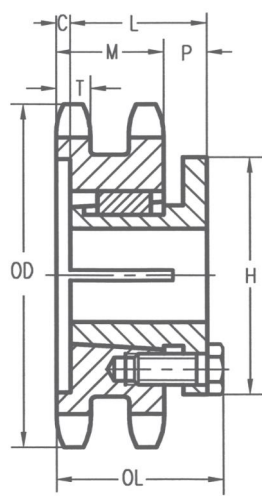
**T_{aper}
B_{ore}** Sprockets

STL

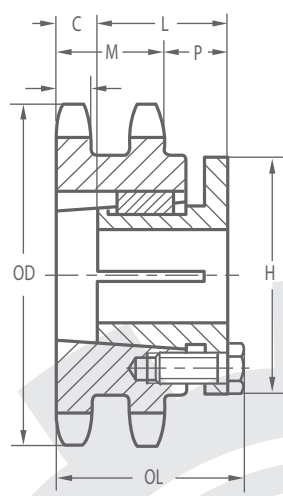


100-1 FOR 1 1/4" PITCH

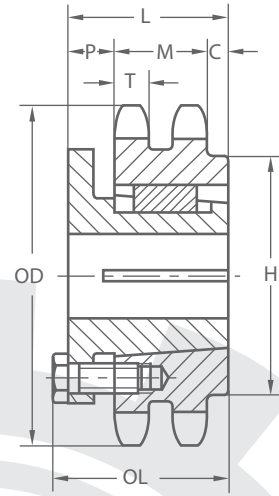
| TEETH NO. | Catalog | Type | Diameters | | Bushing | Dimensions | | | | | | wt Less Bushing |
|-----------|------------|------|-----------|--------|---------|------------|--------|--------|--------|-------|------|-----------------|
| | | | O.D. | P.D. | | T | OL | L | P | C | H | |
| 11 | STL100P11H | 2 | 5.01 | 4.437 | P1 | 0.692 | 23/16 | 115/16 | 11/4 | — | 3 | 3.0 |
| 12 | STL100Q12H | 2 | 5.42 | 4.830 | Q1 | 0.692 | 227/32 | 21/2 | 17/8 | 1/16 | 41/8 | 3.5 |
| 13 | STL100Q13H | 2 | 5.82 | 5.223 | Q1 | 0.692 | 227/32 | 21/2 | 17/8 | 1/16 | 41/8 | 4.3 |
| 14 | STL100Q14H | 2 | 6.23 | 5.617 | Q1 | 0.692 | 225/32 | 21/2 | 113/16 | — | 41/8 | 5.6 |
| 15 | STL100Q15H | 2 | 6.63 | 6.012 | Q1 | 0.692 | 225/32 | 21/2 | 113/16 | — | 41/8 | 6.5 |
| 16 | STL100Q16H | 2 | 7.03 | 6.407 | Q1 | 0.692 | 225/32 | 21/2 | 113/16 | — | 41/8 | 7.4 |
| 17 | STL100Q17H | 2 | 7.44 | 6.803 | Q1 | 0.692 | 225/32 | 21/2 | 113/16 | — | 41/8 | 8.2 |
| 18 | STL100Q18H | 2 | 7.84 | 7.198 | Q1 | 0.692 | 225/32 | 21/2 | 113/16 | — | 41/8 | 9.0 |
| 19 | STL100Q19H | 2 | 8.24 | 7.595 | Q1 | 0.692 | 225/32 | 21/2 | 113/16 | — | 41/8 | 9.9 |
| 20 | STL100Q20H | 2 | 8.64 | 7.991 | Q1 | 0.692 | 225/32 | 21/2 | 113/16 | — | 41/8 | 10.8 |
| 21 | STL100Q21H | 2 | 9.04 | 8.387 | Q1 | 0.692 | 225/32 | 21/2 | 113/16 | — | 41/8 | 17.7 |
| 21 | STL100R21H | 2 | 9.04 | 8.387 | R1 | 0.692 | 35/32 | 27/8 | 23/16 | — | 53/8 | 13.3 |
| 22 | STL100Q22H | 2 | 9.44 | 8.783 | Q1 | 0.692 | 225/32 | 21/2 | 113/16 | — | 41/8 | 12.5 |
| 23 | STL100Q23H | 2 | 9.84 | 9.180 | Q1 | 0.692 | 225/32 | 21/2 | 113/16 | — | 41/8 | 13.9 |
| 24 | STL100Q24H | 2 | 10.25 | 9.577 | Q1 | 0.692 | 225/32 | 21/2 | 113/16 | — | 41/8 | 15.5 |
| 24 | STL100R24H | 2 | 10.25 | 9.577 | R1 | 0.692 | 35/32 | 27/8 | 23/16 | — | 53/8 | 16.1 |
| 25 | STL100Q25H | 2 | 10.65 | 9.973 | Q1 | 0.692 | 225/32 | 21/2 | 113/16 | — | 41/8 | 16.2 |
| 25 | STL100R25H | 2 | 10.65 | 9.973 | R1 | 0.692 | 35/32 | 27/8 | 23/16 | — | 53/8 | 17.0 |
| 26 | STL100Q26H | 2 | 11.05 | 10.370 | Q1 | 0.692 | 225/32 | 21/2 | 113/16 | — | 41/8 | 17.9 |
| 26 | STL100R26H | 2 | 11.05 | 10.370 | R1 | 0.692 | 35/32 | 27/8 | 23/16 | — | 53/8 | 18.5 |
| 27 | STL100Q27H | 2 | 11.45 | 10.767 | Q1 | 0.692 | 225/32 | 21/2 | 113/16 | — | 41/8 | 18.2 |
| 27 | STL100R27H | 2 | 11.45 | 10.767 | R1 | 0.692 | 35/32 | 27/8 | 23/16 | — | 53/8 | 19.6 |
| 28 | STL100Q28H | 2 | 11.84 | 11.164 | Q1 | 0.692 | 225/32 | 21/2 | 113/16 | — | 41/8 | 19.9 |
| 28 | STL100R28H | 2 | 11.84 | 11.164 | R1 | 0.692 | 35/32 | 27/8 | 23/16 | — | 53/8 | 21.0 |
| 30 | STL100Q30H | 2 | 12.64 | 11.958 | Q1 | 0.692 | 225/32 | 21/2 | 113/16 | — | 41/8 | 22.6 |
| 30 | STL100R30H | 2 | 12.64 | 11.958 | R1 | 0.692 | 35/32 | 27/8 | 23/16 | — | 53/8 | 24.5 |
| 31 | STL100R31 | 2 | 13.04 | 12.356 | R1 | 0.692 | 35/32 | 27/8 | 23/16 | — | 53/8 | 25.8 |
| 32 | STL100Q32 | 2 | 13.44 | 12.753 | Q1 | 0.692 | 225/32 | 21/2 | 113/16 | — | 41/8 | 25.3 |
| 32 | STL100R32 | 2 | 13.44 | 12.753 | R1 | 0.692 | 35/32 | 27/8 | 23/16 | — | 53/8 | 26.5 |
| 35 | STL100Q35 | 2 | 14.64 | 13.945 | Q1 | 0.692 | 225/32 | 21/2 | 113/16 | — | 41/8 | 30.2 |
| 35 | STL100R35 | 2 | 14.64 | 13.945 | R1 | 0.692 | 35/32 | 27/8 | 23/16 | — | 53/8 | 29.8 |
| 36 | STL100R36 | 2 | 15.04 | 14.342 | R1 | 0.692 | 35/32 | 27/8 | 23/16 | — | 53/8 | 33.0 |
| 40 | STL100R40 | 2 | 16.63 | 15.932 | R1 | 0.692 | 35/32 | 27/8 | 23/16 | — | 53/8 | 40.9 |
| 42 | STL100R42 | 2 | 17.43 | 16.727 | R1 | 0.692 | 35/32 | 27/8 | 23/16 | — | 53/8 | 44.3 |
| 45 | STL100R45 | 2 | 18.63 | 17.920 | R1 | 0.692 | 35/32 | 27/8 | 23/16 | — | 53/8 | 50.5 |
| 48 | STL100R48 | 2 | 19.82 | 19.112 | R1 | 0.692 | 35/32 | 27/8 | 23/16 | — | 53/8 | 57.5 |
| 54 | STL100R54 | 2A | 22.21 | 21.498 | R1 | 0.692 | 35/32 | 27/8 | 7/8 | 15/16 | 53/8 | 69.0 |
| 60 | STL100R60 | 2A | 24.55 | 23.884 | R1 | 0.692 | 35/32 | 27/8 | 7/8 | 15/16 | 53/8 | 84.0 |
| 70 | STL100R70 | 2A | 28.53 | 27.862 | R1 | 0.692 | 35/32 | 27/8 | 7/8 | 15/16 | 53/8 | 104 |
| 72 | STL100R72 | 2A | 29.33 | 28.657 | R1 | 0.692 | 35/32 | 27/8 | 7/8 | 15/16 | 53/8 | 106 |
| 80 | STL100R80 | 2A | 32.52 | 31.839 | R1 | 0.692 | 35/32 | 27/8 | 7/8 | 15/16 | 53/8 | 135 |
| 84 | STL100R84 | 2A | 34.11 | 33.430 | R1 | 0.692 | 35/32 | 27/8 | 7/8 | 15/16 | 53/8 | 138 |



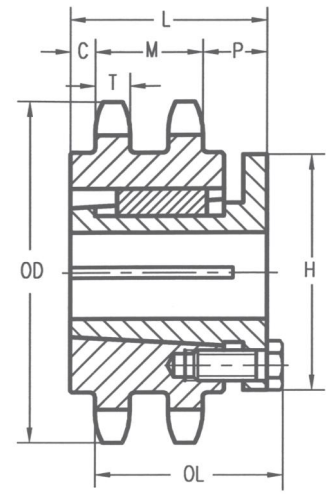
TYPE 5A



TYPE 5



TYPE 5C



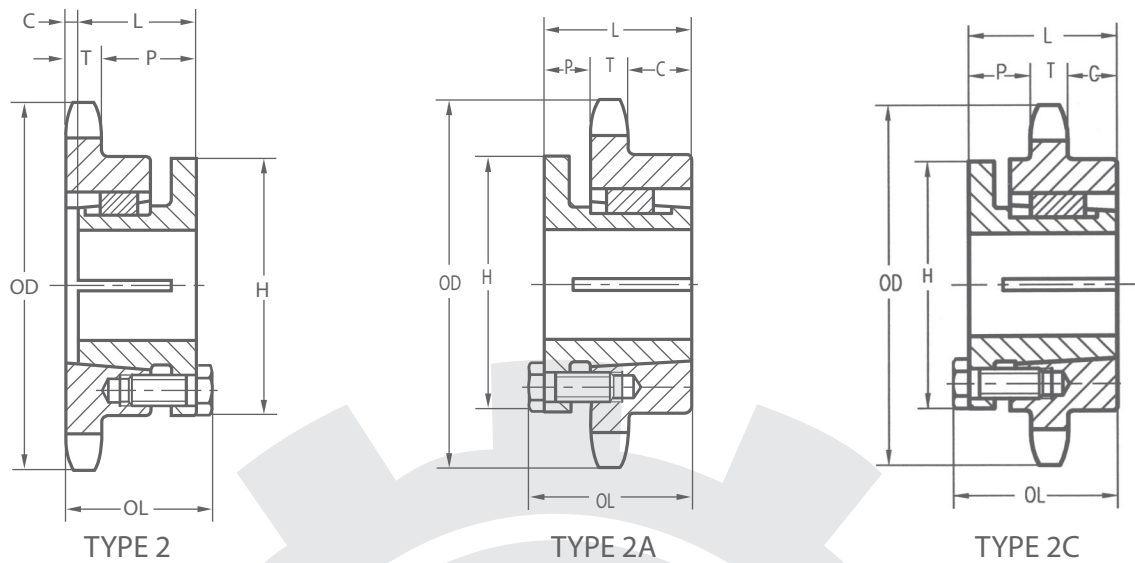
TYPE 5D

100-2 FOR 1 1/4" PITCH

| TEETH No. | Catalog | Type | Diameters | | Bushing | Dimensions | | | | | | wt Less Bushing |
|-----------|--------------|------|-----------|--------|---------|------------|--------|--------|--------|--------|------|-----------------|
| | | | O.D. | P.D. | | T | OL | L | P | C | H | |
| 11 | STL-D100P11H | 5A | 5.01 | 4.437 | P1 | 0.669 | 215/16 | 115/16 | 5/8 | 3/4 | 3 | 4.7 |
| 12 | STL-D100Q12H | 5 | 5.42 | 4.830 | Q2 | 0.669 | 47/32 | 31/2 | 155/64 | 7/16 | 41/8 | 5.9 |
| 13 | STL-D100Q13H | 5 | 5.82 | 5.223 | Q2 | 0.669 | 47/32 | 31/2 | 155/64 | 7/16 | 41/8 | 7.9 |
| 14 | STL-D100Q14H | 5A | 6.23 | 5.617 | Q1 | 0.669 | 33/32 | 21/2 | 3/4 | 5/16 | 41/8 | 8.4 |
| 15 | STL-D100Q15H | 5A | 6.63 | 6.012 | Q1 | 0.669 | 33/32 | 21/2 | 3/4 | 5/16 | 41/8 | 9.1 |
| 16 | STL-D100Q16H | 5A | 7.03 | 6.407 | Q1 | 0.669 | 33/32 | 21/2 | 3/4 | 5/16 | 41/8 | 10.9 |
| 17 | STL-D100R17H | 5A | 7.44 | 6.803 | R1 | 0.669 | 37/32 | 27/8 | 7/8 | 1/16 | 53/8 | 11.0 |
| 18 | STL-D100R18H | 5A | 7.84 | 7.198 | R1 | 0.669 | 37/32 | 27/8 | 7/8 | 1/16 | 53/8 | 12.3 |
| 19 | STL-D100R19H | 5A | 8.24 | 7.595 | R1 | 0.669 | 37/32 | 27/8 | 7/8 | 1/16 | 53/8 | 14.9 |
| 20 | STL-D100R20H | 5A | 8.64 | 7.991 | R1 | 0.669 | 37/32 | 27/8 | 7/8 | 1/16 | 53/8 | 17.4 |
| 21 | STL-D100R21H | 5A | 9.04 | 8.387 | R1 | 0.669 | 37/32 | 27/8 | 7/8 | 1/16 | 53/8 | 20.3 |
| 22 | STL-D100R22H | 5A | 9.44 | 8.783 | R1 | 0.669 | 37/32 | 27/8 | 7/8 | 1/16 | 53/8 | 22.8 |
| 24 | STL-D100R24H | 5A | 10.25 | 9.577 | R1 | 0.669 | 37/32 | 27/8 | 7/8 | 1/16 | 53/8 | 29.5 |
| 35 | STL-D100R35 | 5A | 14.64 | 13.945 | R1 | 0.669 | 37/32 | 27/8 | 7/8 | 1/16 | 53/8 | 76.8 |
| 45 | STL-D100S45 | 5C | 18.63 | 17.920 | S1 | 0.669 | 43/4 | 43/8 | 11/16 | 115/64 | 63/8 | 138 |
| 60 | STL-D100S60 | 5C | 24.60 | 23.884 | S1 | 0.669 | 43/4 | 43/8 | 11/16 | 115/64 | 63/8 | 251 |
| 70 | STL-D100S70 | 5D | 28.58 | 27.862 | S1 | 0.669 | 71/8 | 63/4 | 27/16 | 21/4 | 63/8 | 358 |
| 80 | STL-D100S80 | 5D | 32.57 | 31.839 | S1 | 0.669 | 71/8 | 63/4 | 27/16 | 21/4 | 63/8 | 431 |

**T_{aper}
B_{ore}** Sprockets

STL

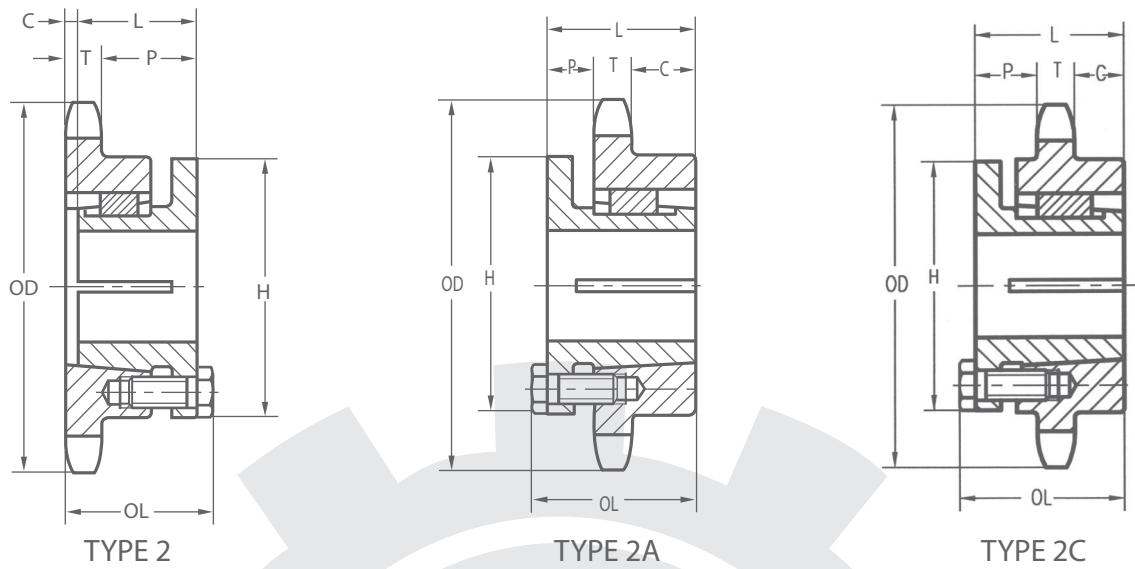


120-1 FOR 1 1/2" PITCH

| TEETH NO. | Catalog | Type | Diameters | | Bushing | Dimensions | | | | | | wt Less Bushing |
|-----------|------------|------|-----------|--------|---------|------------|--------|-------|---------|--------|-------|-----------------|
| | | | O.D. | P.D. | | T | OL | L | P | C | H | |
| 11 | STL120Q11H | 2 | 6.01 | 5.324 | Q1 | 0.924 | 225/32 | 2 1/2 | 19/16 | — | 4 1/8 | 4.8 |
| 12 | STL120Q12H | 2 | 6.50 | 5.796 | Q1 | 0.924 | 225/32 | 2 1/2 | 19/16 | — | 4 1/8 | 6.3 |
| 13 | STL120Q13H | 2 | 6.99 | 6.268 | Q1 | 0.924 | 225/32 | 2 1/2 | 19/16 | — | 4 1/8 | 7.9 |
| 14 | STL120Q14H | 2 | 7.47 | 6.741 | Q1 | 0.924 | 225/32 | 2 1/2 | 19/16 | — | 4 1/8 | 9.1 |
| 15 | STL120Q15H | 2 | 7.96 | 7.215 | Q1 | 0.924 | 225/32 | 2 1/2 | 19/16 | — | 4 1/8 | 10.4 |
| 16 | STL120Q16H | 2 | 8.39 | 7.689 | Q1 | 0.924 | 225/32 | 2 1/2 | 19/16 | — | 4 1/8 | 11.8 |
| 16 | STL120R16H | 2 | 8.39 | 7.689 | R1 | 0.924 | 35/32 | 27/8 | 1 15/16 | — | 5 3/8 | 12.3 |
| 17 | STL120Q17H | 2 | 8.88 | 8.163 | Q1 | 0.924 | 225/32 | 2 1/2 | 19/16 | — | 4 1/8 | 13.4 |
| 17 | STL120R17H | 2 | 8.88 | 8.163 | R1 | 0.924 | 35/32 | 27/8 | 1 15/16 | — | 5 3/8 | 13.6 |
| 18 | STL120Q18H | 2 | 9.41 | 8.638 | Q1 | 0.924 | 225/32 | 2 1/2 | 19/16 | — | 4 1/8 | 15.6 |
| 18 | STL120R18H | 2 | 9.41 | 8.638 | R1 | 0.924 | 35/32 | 27/8 | 1 15/16 | — | 5 3/8 | 15.9 |
| 19 | STL120R19H | 2 | 9.89 | 9.113 | R1 | 0.924 | 35/32 | 27/8 | 1 15/16 | — | 5 3/8 | 16.8 |
| 20 | STL120R20H | 2 | 10.37 | 9.589 | R1 | 0.924 | 35/32 | 27/8 | 1 15/16 | — | 5 3/8 | 18.8 |
| 21 | STL120R21H | 2 | 10.85 | 10.064 | R1 | 0.924 | 35/32 | 27/8 | 1 15/16 | — | 5 3/8 | 21.0 |
| 22 | STL120R22H | 2 | 11.33 | 10.540 | R1 | 0.924 | 35/32 | 27/8 | 1 15/16 | — | 5 3/8 | 22.5 |
| 23 | STL120R23H | 2 | 11.81 | 11.016 | R1 | 0.924 | 35/32 | 27/8 | 1 15/16 | — | 5 3/8 | 24.8 |
| 24 | STL120R24H | 2 | 12.29 | 11.492 | R1 | 0.924 | 35/32 | 27/8 | 1 15/16 | — | 5 3/8 | 26.9 |
| 25 | STL120R25H | 2 | 12.77 | 11.968 | R1 | 0.924 | 35/32 | 27/8 | 1 15/16 | — | 5 3/8 | 29.8 |
| 26 | STL120R26H | 2A | 13.25 | 12.444 | R1 | 0.924 | 35/32 | 27/8 | 7/8 | 1 1/16 | 5 3/8 | 32.9 |
| 28 | STL120R28H | 2A | 14.21 | 13.397 | R1 | 0.924 | 35/32 | 27/8 | 7/8 | 1 1/16 | 5 3/8 | 38.3 |
| 30 | STL120R30H | 2A | 15.17 | 14.350 | R1 | 0.924 | 35/32 | 27/8 | 7/8 | 1 1/16 | 5 3/8 | 43.4 |
| 32 | STL120R32 | 2A | 16.13 | 15.303 | R1 | 0.924 | 35/32 | 27/8 | 7/8 | 1 1/16 | 5 3/8 | 49.4 |
| 35 | STL120R35 | 2C | 17.57 | 16.734 | R2 | 0.924 | 55/32 | 47/8 | 1 15/16 | 2 | 5 3/8 | 68.0 |
| 36 | STL120R36 | 2C | 18.05 | 17.211 | R2 | 0.924 | 55/32 | 47/8 | 1 15/16 | 2 | 5 3/8 | 72.0 |
| 40 | STL120R40 | 2C | 19.96 | 19.118 | R2 | 0.924 | 55/32 | 47/8 | 1 15/16 | 2 | 5 3/8 | 82.0 |
| 40 | STL120S40 | 2A | 19.96 | 19.118 | S1 | 0.924 | 43/4 | 43/8 | 1 1/16 | 23/8 | 63/8 | 83.0 |
| 42 | STL120S42 | 2A | 20.92 | 20.072 | S1 | 0.924 | 43/4 | 43/8 | 1 1/16 | 23/8 | 63/8 | 90.0 |
| 45 | STL120R45 | 2C | 22.35 | 21.503 | R2 | 0.924 | 55/32 | 47/8 | 1 15/16 | 2 | 5 3/8 | 102 |
| 45 | STL120S45 | 2A | 22.35 | 21.503 | S1 | 0.924 | 43/4 | 43/8 | 1 1/16 | 23/8 | 63/8 | 108 |
| 48 | STL120S48 | 2A | 23.79 | 22.935 | S1 | 0.924 | 43/4 | 43/8 | 1 1/16 | 23/8 | 63/8 | 111 |
| 54 | STL120S54 | 2A | 26.65 | 25.798 | S1 | 0.924 | 43/4 | 43/8 | 1 1/16 | 23/8 | 63/8 | 138 |
| 60 | STL120R60 | 2C | 29.52 | 28.661 | R2 | 0.924 | 55/32 | 47/8 | 1 15/16 | 2 | 5 3/8 | 179 |
| 60 | STL120S60 | 2A | 29.52 | 28.611 | S1 | 0.924 | 43/4 | 43/8 | 1 1/16 | 23/8 | 63/8 | 180 |
| 70 | STL120R70 | 2C | 34.30 | 33.434 | R2 | 0.924 | 55/32 | 47/8 | 1 15/16 | 2 | 5 3/8 | 248 |
| 70 | STL120S70 | 2A | 34.30 | 33.434 | S2 | 0.924 | 7 1/8 | 63/4 | 2 15/16 | 27/8 | 63/8 | 267 |
| 80 | STL120R80 | 2C | 39.08 | 38.207 | R2 | 0.924 | 55/32 | 47/8 | 1 15/16 | 2 | 5 3/8 | 291 |
| 80 | STL120S80 | 2C | 39.08 | 38.207 | S2 | 0.924 | 7 1/8 | 63/4 | 2 15/16 | 27/8 | 63/8 | 305 |

**T_{aper}
B_{ore}** Sprockets

STL

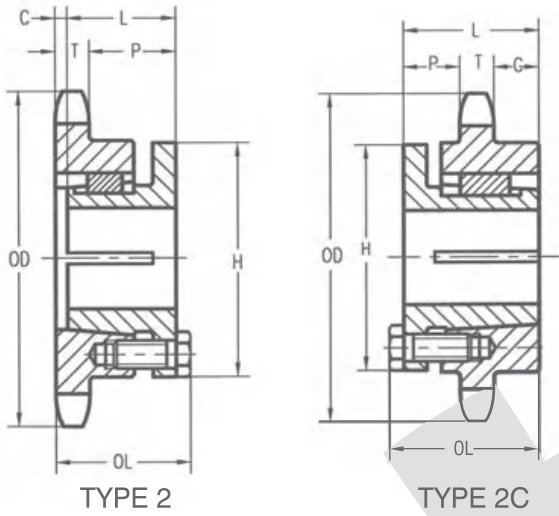


140-1 FOR 1 3/4" PITCH

| TEETH NO. | Catalog | Type | Diameters | | Bushing | Dimensions | | | | | | wt Less Bushing |
|-----------|------------|------|-----------|--------|---------|------------|--------|------|--------|-------|------|-----------------|
| | | | O.D. | P.D. | | T | OL | L | P | C | H | |
| 11 | STL140Q11H | 2 | 7.01 | 6.212 | Q1 | 0.924 | 225/32 | 21/2 | 19/16 | — | 41/8 | 6.4 |
| 12 | STL140Q12H | 2 | 7.58 | 6.762 | Q1 | 0.924 | 225/32 | 21/2 | 19/16 | — | 41/8 | 9.1 |
| 13 | STL140R13H | 2 | 8.15 | 7.313 | R1 | 0.924 | 35/32 | 27/8 | 115/16 | — | 53/8 | 11.1 |
| 14 | STL140R14H | 2 | 8.72 | 7.864 | R1 | 0.924 | 35/32 | 27/8 | 115/16 | — | 53/8 | 12.6 |
| 15 | STL140R15H | 2 | 9.28 | 8.417 | R1 | 0.924 | 35/32 | 27/8 | 115/16 | — | 53/8 | 14.7 |
| 16 | STL140R16H | 2 | 9.85 | 8.970 | R1 | 0.924 | 35/32 | 27/8 | 115/16 | — | 53/8 | 16.5 |
| 17 | STL140R17H | 2 | 10.41 | 9.524 | R1 | 0.924 | 35/32 | 27/8 | 115/16 | — | 53/8 | 18.5 |
| 18 | STL140R18H | 2 | 10.97 | 10.078 | R1 | 0.924 | 35/32 | 27/8 | 115/16 | — | 53/8 | 20.5 |
| 19 | STL140R19H | 2 | 11.54 | 10.632 | R1 | 0.924 | 35/32 | 27/8 | 115/16 | — | 53/8 | 23.0 |
| 20 | STL140R20H | 2 | 12.10 | 11.187 | R1 | 0.924 | 35/32 | 27/8 | 115/16 | — | 53/8 | 25.4 |
| 21 | STL140R21H | 2 | 12.66 | 11.742 | R1 | 0.924 | 35/32 | 27/8 | 115/16 | — | 53/8 | 27.8 |
| 22 | STL140R22H | 2A | 13.22 | 12.297 | R1 | 0.924 | 35/32 | 27/8 | 7/8 | 11/16 | 53/8 | 32.5 |
| 23 | STL140R23H | 2A | 13.78 | 12.852 | R1 | 0.924 | 35/32 | 27/8 | 7/8 | 11/16 | 53/8 | 36.0 |
| 24 | STL140R24H | 2A | 14.34 | 13.407 | R1 | 0.924 | 35/32 | 27/8 | 7/8 | 11/16 | 53/8 | 37.6 |
| 25 | STL140R25H | 2A | 14.90 | 13.963 | R1 | 0.924 | 35/32 | 27/8 | 7/8 | 11/16 | 53/8 | 40.3 |
| 26 | STL140R26 | 2A | 15.46 | 14.513 | R1 | 0.924 | 35/32 | 27/8 | 7/8 | 11/16 | 53/8 | 44.0 |
| 30 | STL140R30 | 2C | 17.70 | 16.742 | R2 | 0.924 | 55/32 | 47/8 | 115/16 | 2 | 53/8 | 68.0 |
| 35 | STL140R35 | 2C | 20.49 | 19.523 | R2 | 0.924 | 55/32 | 47/8 | 115/16 | 2 | 53/8 | 88.0 |
| 36 | STL140R36 | 2C | 21.05 | 20.079 | R2 | 0.924 | 55/32 | 47/8 | 115/16 | 2 | 53/8 | 90.0 |
| 36 | STL140S36 | 2A | 21.05 | 20.079 | S1 | 0.924 | 43/4 | 43/8 | 11/16 | 23/8 | 63/8 | 99.0 |
| 40 | STL140R40 | 2C | 23.29 | 22.305 | R2 | 0.924 | 55/32 | 47/8 | 115/16 | 2 | 53/8 | 109.0 |
| 40 | STL140S40 | 2A | 23.29 | 22.305 | S1 | 0.924 | 43/4 | 43/8 | 11/16 | 23/8 | 63/8 | 117 |
| 45 | STL140S45 | 2A | 26.08 | 25.087 | S1 | 0.924 | 43/4 | 43/8 | 11/16 | 23/8 | 63/8 | 132 |
| 48 | STL140S48 | 2C | 27.75 | 26.757 | S2 | 0.924 | 71/2 | 63/4 | 215/16 | 27/8 | 63/8 | 169 |
| 54 | STL140S54 | 2C | 31.10 | 30.097 | S2 | 0.924 | 71/2 | 63/4 | 215/16 | 27/8 | 63/8 | 208 |
| 60 | STL140S60 | 2C | 34.44 | 33.438 | S2 | 0.924 | 71/2 | 63/4 | 215/16 | 27/8 | 63/8 | 230 |
| 70 | STL140S70 | 2C | 40.02 | 39.006 | S2 | 0.924 | 71/2 | 63/4 | 215/16 | 27/8 | 63/8 | 311 |
| 80 | STL140S80 | 2C | 45.59 | 44.575 | S2 | 0.924 | 71/2 | 63/4 | 215/16 | 27/8 | 63/8 | 342 |

**T_{aper}
B_{ore}** Sprockets

STL

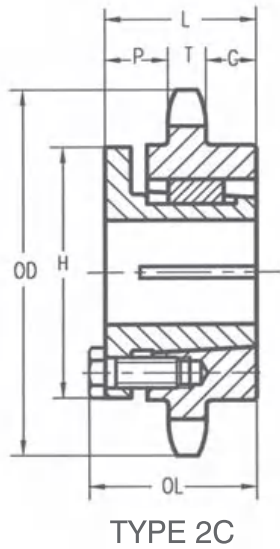


160-1 FOR 2" PITCH

| TEETH NO. | Catalog | Type | Diameters | | Bushing | Dimensions | | | | | | wt Less Bushing |
|-----------|------------|------|-----------|--------|---------|------------|--------|------|--------|--------|------|-----------------|
| | | | O.D. | P.D. | | T | OL | L | P | C | H | |
| 11 | STL160R11H | 2 | 8.01 | 7.099 | R1 | 1.156 | 313/32 | 27/8 | 131/32 | 1/4 | 53/8 | 10.8 |
| 12 | STL160R12H | 2 | 8.66 | 7.727 | R1 | 1.156 | 313/32 | 27/8 | 131/32 | 1/4 | 53/8 | 14.2 |
| 13 | STL160R13H | 2 | 9.31 | 8.357 | R1 | 1.156 | 35/32 | 27/8 | 123/32 | — | 53/8 | 15.5 |
| 14 | STL160R14H | 2 | 9.96 | 8.988 | R1 | 1.156 | 35/32 | 27/8 | 123/32 | — | 53/8 | 18.5 |
| 15 | STL160R15H | 2 | 10.61 | 9.620 | R1 | 1.156 | 35/32 | 27/8 | 123/32 | — | 53/8 | 21.6 |
| 16 | STL160R16H | 2 | 11.25 | 10.252 | R1 | 1.156 | 35/32 | 27/8 | 123/32 | — | 53/8 | 25.0 |
| 17 | STL160R17H | 2 | 11.90 | 10.885 | R1 | 1.156 | 35/32 | 27/8 | 123/32 | — | 53/8 | 28.0 |
| 18 | STL160R18H | 2 | 12.54 | 11.518 | R1 | 1.156 | 35/32 | 27/8 | 123/32 | — | 53/8 | 31.9 |
| 19 | STL160R19H | 2 | 13.19 | 12.151 | R1 | 1.156 | 35/32 | 27/8 | 123/32 | — | 53/8 | 35.9 |
| 20 | STL160R20H | 2C | 13.83 | 12.785 | R2 | 1.156 | 55/32 | 47/8 | 123/32 | 2 | 53/8 | 51.0 |
| 21 | STL160R21H | 2C | 14.47 | 13.419 | R2 | 1.156 | 55/32 | 47/8 | 123/32 | 2 | 53/8 | 56.0 |
| 22 | STL160R22H | 2C | 15.11 | 14.053 | R2 | 1.156 | 55/32 | 47/8 | 123/32 | 2 | 53/8 | 60.0 |
| 23 | STL160R23H | 2C | 15.75 | 14.688 | R2 | 1.156 | 55/32 | 47/8 | 123/32 | 2 | 53/8 | 65.0 |
| 24 | STL160R24H | 2C | 16.39 | 15.323 | R2 | 1.156 | 55/32 | 47/8 | 123/32 | 2 | 53/8 | 71.5 |
| 25 | STL160R25H | 2C | 17.03 | 15.958 | R2 | 1.156 | 55/32 | 47/8 | 123/32 | 2 | 53/8 | 74.0 |
| 26 | STL160R26 | 2C | 17.67 | 16.593 | R2 | 1.156 | 55/32 | 47/8 | 123/32 | 2 | 53/8 | 79.0 |
| 28 | STL160R28 | 2C | 18.95 | 17.863 | R2 | 1.156 | 55/32 | 47/8 | 123/32 | 2 | 53/8 | 100 |
| 30 | STL160R30 | 2C | 20.23 | 19.134 | R2 | 1.156 | 55/32 | 47/8 | 123/32 | 2 | 53/8 | 106 |
| 30 | STL160S30 | 2C | 20.23 | 19.134 | S2 | 1.156 | 71/8 | 63/4 | 223/32 | 27/8 | 63/8 | 115 |
| 35 | STL160S35 | 2C | 23.42 | 22.312 | S2 | 1.156 | 71/8 | 63/4 | 223/32 | 27/8 | 63/8 | 150 |
| 40 | STL160S40 | 2C | 26.61 | 25.491 | S2 | 1.156 | 71/8 | 63/4 | 223/32 | 27/8 | 63/8 | 165 |
| 45 | STL160S45 | 2C | 29.80 | 28.671 | S2 | 1.156 | 71/8 | 63/4 | 223/32 | 27/8 | 63/8 | 204 |
| 60 | STL160U60 | 2C | 39.36 | 38.215 | U0 | 1.156 | 525/32 | 51/4 | 25/32 | 115/16 | 83/8 | 354 |
| 70 | STL160U70 | 2C | 45.73 | 44.578 | U0 | 1.156 | 525/32 | 51/4 | 25/32 | 115/16 | 83/8 | 378 |
| 80 | STL160U80 | 2C | 52.10 | 50.943 | U1 | 1.156 | 719/32 | 71/8 | 33/32 | 27/8 | 83/8 | 394 |

**T_{aper}
B_{ore}** Sprockets

STL



200-1 FOR 2 1/2" PITCH

| TEETH No. | Catalog | Type | Diameters | | Bushing | Dimensions | | | | | | wt Less Bushing |
|--------------|-----------|------|-----------|--------|---------|------------|---------|-------|------|------|------|-----------------------|
| | | | O.D. | P.D. | | T | OL | L | P | C | H | |
| 12 | STL200R12 | 2C | 10.83 | 9.660 | R2 | 1.389 | 55/32 | 47/8 | 11/2 | 2 | 53/8 | 35.3 |
| 13 | STL200S13 | 2C | 11.64 | 10.447 | S2 | 1.389 | 71/8 | 63/4 | 21/2 | 27/8 | 63/8 | 52.2 |
| 14 | STL200S14 | 2C | 12.46 | 11.235 | S2 | 1.389 | 71/8 | 63/4 | 21/2 | 27/8 | 63/8 | 57.5 |
| 15 | STL200S15 | 2C | 13.26 | 12.025 | S2 | 1.389 | 71/8 | 63/4 | 21/2 | 27/8 | 63/8 | 61.0 |
| 16 | STL200S16 | 2C | 14.07 | 12.815 | S2 | 1.389 | 71/8 | 63/4 | 21/2 | 27/8 | 63/8 | 71.0 |
| 17 | STL200S17 | 2C | 14.87 | 13.605 | S2 | 1.389 | 71/8 | 63/4 | 21/2 | 27/8 | 63/8 | 79.0 |
| 18 | STL200U18 | 2C | 15.68 | 14.397 | U0 | 1.389 | 523/32 | 51/4 | 21/4 | 15/8 | 83/8 | 76.5 |
| 19 | STL200U19 | 2C | 16.48 | 15.190 | U0 | 1.389 | 523/32 | 51/4 | 21/4 | 15/8 | 83/8 | 83.7 |
| 20 | STL200U20 | 2C | 17.29 | 15.982 | U0 | 1.389 | 523/32 | 51/4 | 21/4 | 15/8 | 83/8 | 91.3 |
| 21 | STL200U21 | 2C | 18.09 | 16.775 | U0 | 1.389 | 523/32 | 51/4 | 21/4 | 15/8 | 83/8 | 99.4 |
| 22 | STL200U22 | 2C | 18.89 | 17.567 | U0 | 1.389 | 523/32 | 51/4 | 21/4 | 15/8 | 83/8 | 110 |
| 23 | STL200U23 | 2C | 19.69 | 18.360 | U0 | 1.389 | 523/32 | 51/4 | 21/4 | 15/8 | 83/8 | 117 |
| 24 | STL200U24 | 2C | 20.49 | 19.152 | U0 | 1.389 | 523/32 | 51/4 | 21/4 | 15/8 | 83/8 | 126 |
| 25 | STL200U25 | 2C | 21.29 | 19.947 | U0 | 1.389 | 523/32 | 51/4 | 21/4 | 15/8 | 83/8 | 140 |
| 26 | STL200U26 | 2C | 22.09 | 20.740 | U0 | 1.389 | 523/32 | 51/4 | 21/4 | 15/8 | 83/8 | 150 |
| 28 | STL200U28 | 2C | 23.69 | 22.330 | U0 | 1.389 | 523/32 | 51/4 | 21/4 | 15/8 | 83/8 | 169 |
| 30 | STL200U30 | 2C | 25.29 | 23.917 | U0 | 1.389 | 523/32 | 51/4 | 21/4 | 15/8 | 83/8 | 188 |
| 32 | STL200U32 | 2C | 26.88 | 25.505 | U0 | 1.389 | 523/32 | 51/4 | 21/4 | 15/8 | 83/8 | 212 |
| 35 | STL200U35 | 2C | 29.28 | 27.890 | U1 | 1.389 | 719/32 | 71/8 | 27/8 | 27/8 | 83/8 | 252 |
| 40 | STL200U40 | 2C | 33.27 | 31.865 | U1 | 1.389 | 719/32 | 71/8 | 27/8 | 27/8 | 83/8 | 306 |
| 45 | STL200U45 | 2C | 37.25 | 35.840 | U1 | 1.389 | 719/32 | 71/8 | 27/8 | 27/8 | 83/8 | 290 |
| 54 | STL200U54 | 2C | 44.42 | 42.995 | U2 | 1.389 | 1019/32 | 101/8 | 41/2 | 41/4 | 83/8 | 385 |
| 60 | STL200U60 | 2C | 49.20 | 47.767 | U2 | 1.389 | 1019/32 | 101/8 | 41/2 | 41/4 | 83/8 | 445 |